



A TEREX BRAND

# *Parts Manual*

## Serial Number Range

***GS-1530***

from SN GS3015A-141946 to  
GS3016A-151486

***GS-1532***

from SN GS3016P-151487 to  
GS3016P-160599

***GS-1930***

from SN GS30P-160600

***GS-1932***

Part No. 1275130GT

Rev A7

January 2018

---

## Technical Publications

Genie has endeavored to deliver the highest degree of accuracy possible. However, continuous improvement of our products is a Genie policy. Therefore, product specifications are subject to change without notice.

Readers are encouraged to notify Genie of errors and send in suggestions for improvement. All communications will be carefully considered for future printings of this and all other manuals.

---

## Contact Us:

Internet: [www.genielift.com](http://www.genielift.com)  
e-mail: [awp.techpub@terex.com](mailto:awp.techpub@terex.com)

---

## Find a Manual for this Model

Go to <http://www.genielift.com>


Use the links to locate Operator's, Parts, Maintenance, and Service and Repair Manuals.

---

Copyright © 2011 by Terex Corporation

1275130GT Rev A September 2016  
Fourth Edition, First Printing

Genie is a registered trademark of Terex South Dakota in the USA and many other countries. "GS" is a trademark of Terex South Dakota, Inc.

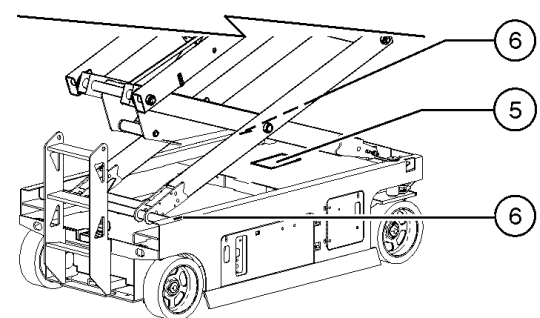
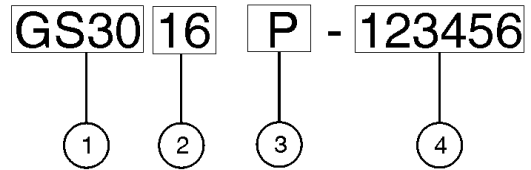
 Printed on recycled paper

How to Read Your Serial Number

To August 31, 2016

**Genie**  
A TEREX BRAND

**Model:**  
**Serial number:** GS3016P-123456  
**Manufacture date:** 1/2/16      **Model year:** 2016  
**Electrical schematic number:**  
**Machine unladen weight:**  
**Rated work load (including occupants):**  
**Maximum number of platform occupants:**  
**Maximum allowable inclination of the chassis:**  
**Outrigger retracted:**  
**Outrigger deployed:**



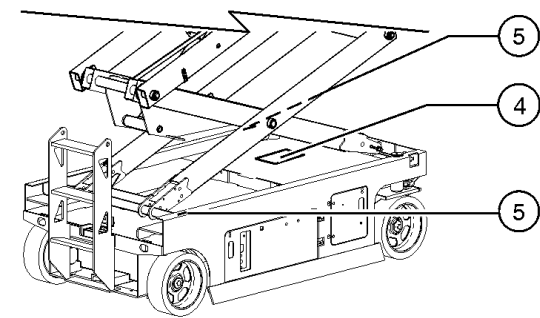
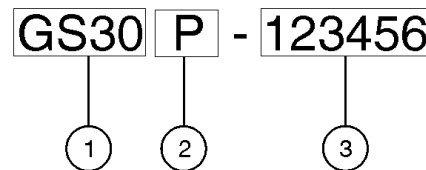
- 1 Model
- 2 Model year
- 3 Facility code

- 4 Sequence number
- 5 Serial label (located on chassis)
- 6 Serial number (stamped on chassis)

From September 1, 2016

**Genie**  
A TEREX BRAND

**Model:**  
**Serial number:** GS30P-123456  
**Year of manufacture:** 2016  
**Electrical schematic number:**  
**Machine unladen weight:**  
**Rated work load (including occupants):**  
**Maximum number of platform occupants:**  
**Maximum allowable inclination of the chassis:**  
**Outrigger retracted:**  
**Outrigger deployed:**



- 1 Model
- 2 Facility code
- 3 Sequence number

- 4 Serial label (located on chassis)
- 5 Serial number (stamped on chassis)

Table of Contents

This manual is updated frequently. If you have a printed manual, you can keep it up to date by downloading new figures from the Genie website at [www.genielift.com](http://www.genielift.com). For the most up-to-date parts information, visit the Parts Lookup System on the Genie website at [www.genielift.com](http://www.genielift.com).

How to Read Your Serial Number.....3  
 Parts Stocking List.....7  
 How to Order Parts.....8  
 Service Parts Fax Order Form.....9

**Electronic Version**  
 Click on any page number to view the figure.

**001 Parts Stocking List**  
 001.1 Parts Stocking List.....10

**100 Decals**  
 101.1 Decals with Words, GS-1530, Battery Side, ANSI & Australia.....12  
 102.1 Decals with Words, GS-1530, Ground Controls Side, ANSI & Australia.....14  
 103.1 Decals with Words, GS-1530, Platform, ANSI.....16  
 104.1 Decals with Words, GS-1530, Platform, Australia.....18  
 105.1 Decals with Symbols, GS-1530 Battery Side, ANSI & CE.....20  
 106.1 Decals with Symbols, GS-1530 Ground Control Side, ANSI & CE.....22  
 107.1 Decals with Symbols, GS-1530 Platform, ANSI.....24  
 108.1 Decals with Symbols, GS-1530 Platform, CE.....26  
 109.1 Decals with Words, GS-1532, Battery Side, Australia.....28  
 110.1 Decals with Words, GS-1532 Ground Controls Side, Australia.....30  
 111.1 Decals with Words, GS-1532 Platform, Australia.....32  
 112.1 Decals with Symbols, GS-1532 Battery Side, CE.....34  
 113.1 Decals with Symbols, GS-1532 Ground Control Side, CE.....36  
 114.1 Decals with Symbols, GS-1532 Platform, CE.....38  
 115.1 Decals with Words, GS-1930 Battery Side, ANSI & Australia.....40  
 116.1 Decals with Words, GS-1930 Ground Controls Side, ANSI & Australia.....42  
 117.1 Decals with Words, GS-1930 Platform, ANSI.....44  
 118.1 Decals with Words, GS-1930 Platform, Australia.....46

119.1 Decals with Symbols, GS-1930 Battery Side, ANSI & CE.....48  
 120.1 Decals with Symbols, GS-1930 Ground Control Side, ANSI & CE.....50  
 121.1 Decals with Symbols, GS-1930 Platform ANSI.....52  
 122.1 Decals with Symbols, GS-1930 Platform CE.....54  
 123.1 Decals with Words, GS-1932 Battery Side, Australia.....56  
 124.1 Decals with Words, GS-1932 Ground Controls Side, Australia.....58  
 124.1 Decals with Words, GS-1932 Ground Controls Side, Australia.....60  
 125.1 Decals with Words, GS-1932 Platform, Australia.....62  
 126.1 Decals with Symbols, GS-1932 Battery Side, CE.....64  
 127.1 Decals with Symbols, GS-1932 Ground Control Side, CE.....66  
 128.1 Decals with Symbols, GS-1932 Platform CE.....68

**200 Drive Chassis Components**  
 201.1 Steer Linkage and Wheels.....70  
 202.1 Non-steer Axle Installation, All Models.....72  
 203.1 Level Sensor Installation, All Models.....74  
 204.1 Pothole Protection Assembly.....76  
 205.1 Battery Pack Module.....78  
 206.1 Battery Charger.....80  
 207.1 Power Unit Module (to SN GS3016P-159832).....82  
 207.2 Power Unit Module (from SN GS3016P-159833).....84  
 208.1 Ground Controls, All Models.....86  
 209.1 Electrical Wiring.....88  
 210.1 Power Cables.....90  
 211.1 Function Manifold and Accumulator Components.....92

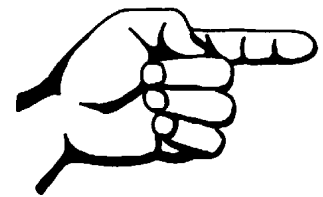
**300 Scissor Components**  
 301.1 Scissor Assembly Installation.....94  
 302.1 Scissor Assembly, GS-1530/1532.....96  
 303.1 Scissor Assembly, GS-1930/1932.....98

**400 Platform Components**  
 401.1 Platform Components, GS-1530 (to SN GS30P-165149).....100  
 401.2 Platform Components, GS-1530 (from SN GS30P-165150).....104  
 402.1 Platform Components, GS-1532 (to SN GS30P-165149).....108  
 402.2 Platform Components, GS-1532 (from SN GS30P-165150).....112  
 403.1 Platform Components, GS-1930 (to SN GS30P-165149).....116  
 403.2 Platform Components, GS-1930 (from SN GS30P-165150).....120

404.1 Platform Components, GS-1932 (to SN GS30P-165149).....	124
404.2 Platform Components, GS-1932 (from SN GS30P-165150).....	128
405.1 Platform Gates.....	132
406.1 Power to Platform.....	134
407.1 Platform Controls.....	136
408.1 Joystick Controller.....	138
<b>500 Hydraulic Components</b>	
501.1 Hydraulic Components.....	140
502.1 Function Manifold.....	142
503.1 Check Valve Manifold.....	144
504.1 Brake Release Hand Pump Manifold.....	146
505.1 Hydraulic Power Unit, All Models.....	148
506.1 Lift Cylinder Assembly, All Models.....	150
507.1 Hydraulic Hoses and Fittings.....	152
<b>600 Accessories</b>	
601.1 Alarm, Horn and Flashing Beacons.....	154
602.1 Air Line to Platform.....	156
603.1 Platform Work Light.....	158
604.1 Voltage Inverter.....	160
605.1 Padded Auxiliary Rail, GS-1930.....	162
606.1 PCON Guard.....	164
<b>700 Platform Overload Components</b>	
701.1 Platform Overload.....	166
<b>Indices</b>	
Part Number Index.....	168
Part Description Index.....	172
<b>Cross References</b>	
Fittings Cross Reference.....	178



Please refer to section 001 for the Recommended Spare Parts List.



This page intentionally left blank.

## How to Order Parts

Please be prepared with the following information when ordering replacement parts for your Terex or Genie product.

- Machine model number
- Machine serial number
- Part number
- Part description and quantity
- Purchase order number
- "Ship to" address
- Desired method of shipment
- Name and telephone number of the authorized distributor in your area

Use the Service Parts Fax Order Form on the next page and fax your order to our Parts Department.

If you don't know the name of your authorized distributor, or if your area is not currently serviced by an authorized distributor, please call Terex or Genie Industries.

## Machine Information

---

Model

---

Serial Number

---

Date of Purchase

---

Authorized Genie Distributor

---

Phone Number

### North America

Telephone (425)881-1800

Toll Free (800)536-1800 in US and Canada

Fax (425)556-8659

Toll Free fax (888)274-6192

Email [AWP.PartsSalesPO@terex.com](mailto:AWP.PartsSalesPO@terex.com)

<http://genielift.com/en>

### EMEAR (Europe, Middle East, Africa and Russia)

Telephone (31)(165)519 313

Fax (31)(165)511 148

<http://genielift.co.uk>

### Asia Pacific (Genie Singapore)

Telephone +65 6692 7777

Fax +65 6261 8893

<http://genielift.com.sg/>

### Australia

Telephone (61)(7)3456 4444

Fax (61)(7)3456 4466

<http://genielift.com.au>

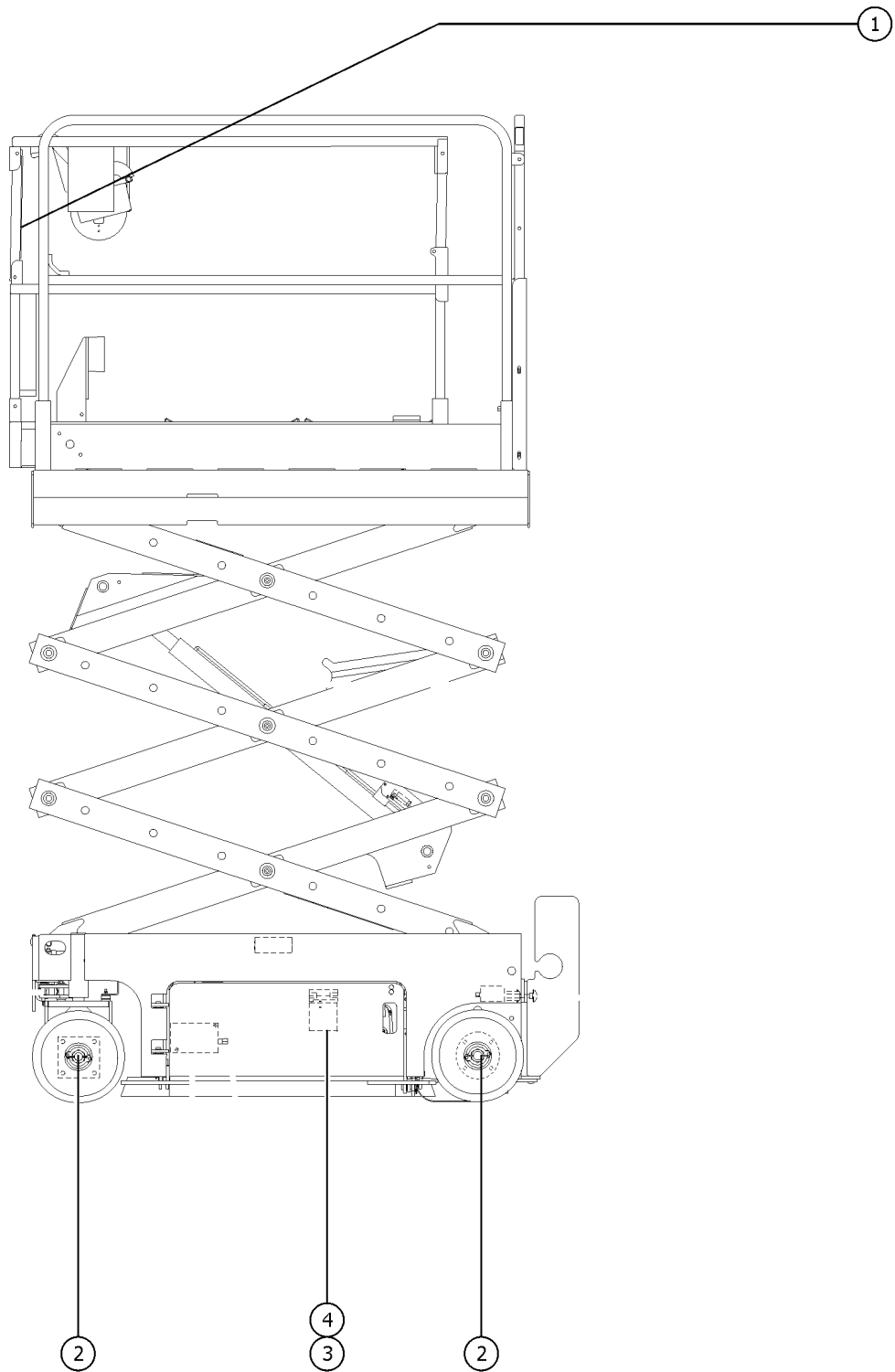
### South America

Telephone (55)(11)4082 5600

Fax (55)(11)4082 5630

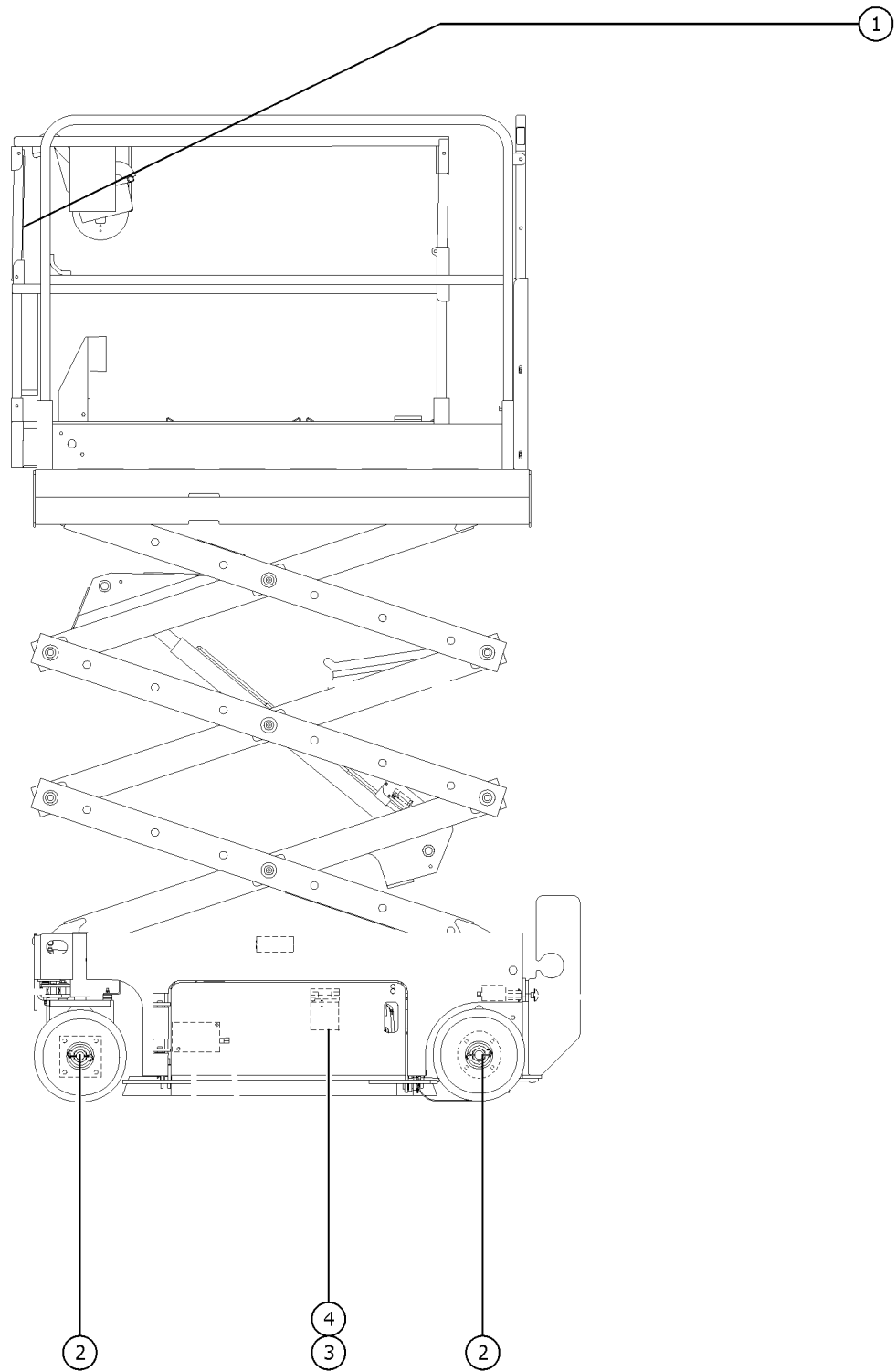


001.1 Parts Stocking List



Item	Part No.	Description	Qty.
--	1257733GT	PAINT,WET,TRAFFIC BLACK (1 GL)** <i>1-gallon</i>	
--	1258567GT	PAINT, AEROSOL, TRAFFIC BLACK <i>12-ounce spray paint</i>	
--	1268GT	PAINT,AEROSOL,GENIE GRAY*** <i>12-ounce spray paint</i>	
--	1484GT	PAINT,AEROSOL,BRIGHT BLUE*** <i>12-ounce spray paint</i>	
--	32150GT	PAINT,WET,GENIE BLUE (1 GL)** <i>1-gallon</i>	
--	32151GT	PAINT,WET,GENIE GRAY (1 GL)** <i>1-gallon</i>	
--	66399GT	GREASE,DIELECTRIC 4 OZ**	
1A	27581GT	MANUAL,AEM SAFETY	
1B	44163GT	MANUAL,RESPON,A92.6 SCISSOR	
2	42079GT	PIN,COTTER,.156 X 2.5	
3	44788GT	FILTER ELEMENT,10MICRON,PAPER*	
4	78546GT	BREATHER CAP, HYD. TANK, 1/4 NPT	

101.1 Decals with Words, GS-1530, Battery Side, ANSI & Australia



101.1 Decals with Words, GS-1530, Battery Side, ANSI & Australia

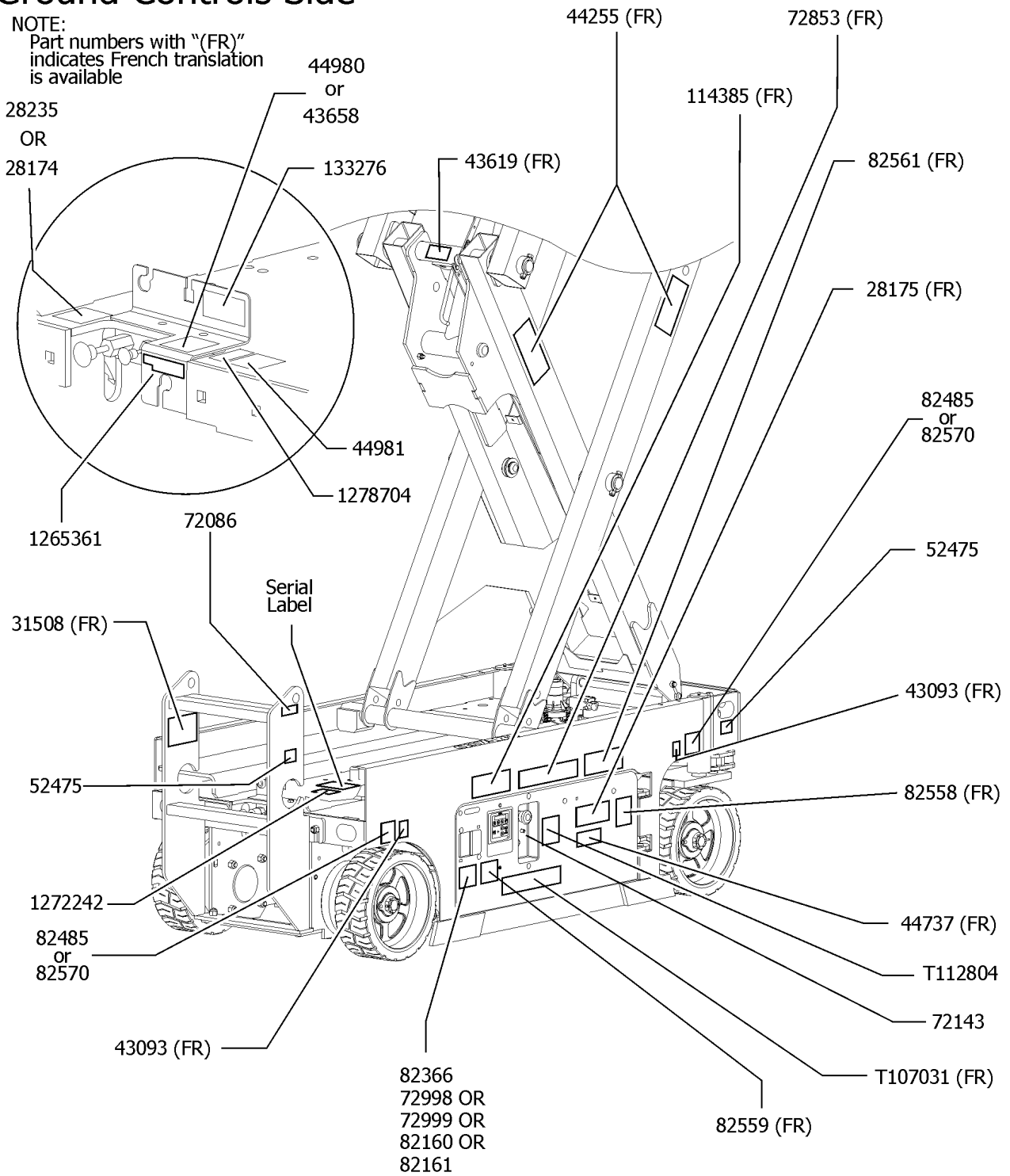
Item	Part No.	Description	Qty.
1	44255GT	DECAL,DANGER,CRUSHING HAZARD.....	2
2	31060GT	DECAL,DANGER DO NOT ALTER SWTC.....	1
3	31508GT	DECAL,DANGER,ELECT HAZARD,PLUG..... <i>(Australia models)</i>	1
4	31788GT	DECAL,DANGER,BATTERY SAFETY***.....	1
5	43093GT	DECAL,LABEL,TIRE SPECS.....	2
6	43658GT	DECAL,LABEL,PWR TO CHARGR 230V..... <i>(Australia models)</i>	1
7	44737GT	DECAL DANGER TIP OVER TRAYS.....	1
8	44980GT	DECAL,LABEL,PWR TO CHARGR 115V..... <i>(Australia models)</i>	1
9	52475GT	DECAL,LABEL,TRANSPORT TIEDOWN*.....	3
10	72086GT	DECAL,LABEL,LIFTING EYE.....	3
11	72970GT	DECAL,INSTRUCTIONS-CHARGER OP.....	1
12	82485GT	DECAL,LABEL,WHEEL LOAD 1530..... <i>(ANSI models)</i>	2
13	82561GT	DECAL,DANGER-USE SAFETY ARM....	1
14	82570GT	DECAL,LABEL-WHEEL LOAD 1530/32..... <i>(Australia models)</i>	2
15	82657GT	DECAL,INSTRUCT,BATTERY CONNECT.....	1
16	114360GT	DECAL,DANGER-TIP-OVER,BATT.....	1
17	114361GT	DECAL,LABEL-TRANSPORT DIGRAM.....	2
18	114385GT	DECAL,DANGER,ELEC HAZARD,GS....	1
19	T107029GT	DECAL,DANGER,BRAKE REL SAFETY.....	1

102.1 Decals with Words, GS-1530, Ground Controls Side, ANSI & Australia

# Ground Controls Side

NOTE:

Part numbers with "(FR)" indicates French translation is available



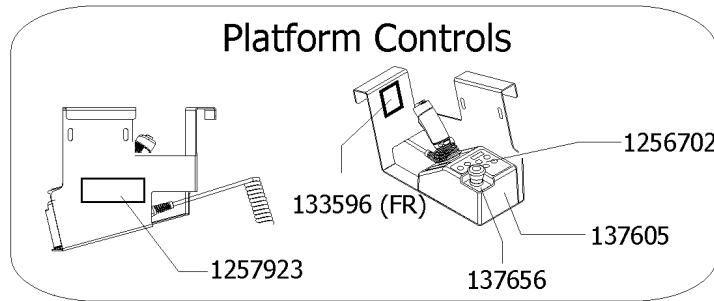
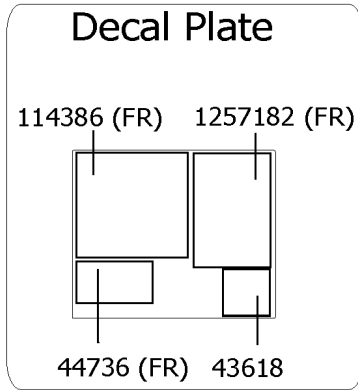
102.1 Decals with Words, GS-1530, Ground Controls Side, ANSI & Australia

Item	Part No.	Description	Qty.	Item	Part No.	Description	Qty.
1	28174GT	DECAL,POWER TO PLATFORM 230V...1		27	133276GT	DECAL,EMERGENCY LOWERING.....1	
2	28175GT	DECAL,WARNING-COMPART ACCESS.....1		28	1272242GT	DECAL,MACHINE REGISTRATION/OWNER TRANSFER....1	
3	28235GT	DECAL,POWER TO PLATFORM 115V...1		29	T107031GT	DECAL,OP INST,GCON.....1	
4	31508GT	DECAL,DANGER,ELECT HAZARD,PLUG.....1 <i>(ANSI models)</i>		30	T112804GT	DECAL,GCON PANEL,GS.....1	
5	43093GT	DECAL,LABEL,TIRE SPECS.....2		31	1265361GT	DECAL, BATTERY CHARGER INDICAT.....1 <i>(ANSI from SN 158209 to 173672) (AUS from 158209)</i>	
6	43619GT	DECAL,LABEL,SAFETY ARM.....1		32	1278704GT	DECAL,CHARGE STATUS IND.....1 <i>(ANSI from 173673)</i>	
7	43658GT	DECAL,LABEL,PWR TO CHARGR 230V.....1 <i>(ANSI models)</i>					
8	44255GT	DECAL,DANGER,CRUSHING HAZARD.....2					
9	44737GT	DECAL DANGER TIP OVER TRAYS.....1					
10	44980GT	DECAL,LABEL,PWR TO CHARGR 115V.....1 <i>(ANSI models)</i>					
11	44981GT	DECAL,LABEL,AIR LINE 110 PSI.....1 <i>(option)</i>					
12	52475GT	DECAL,LABEL,TRANSPORT TIEDOWN*.....2					
13	72086GT	DECAL,LABEL,LIFTING EYE.....1					
14	72143GT	DECAL,EMERGENCY STOP,GR.....1					
15	72853GT	DECAL,DANGER,IMPROPER USE HAZ.....1					
16	72998GT	DECAL,LABEL,QUINTOLUBRIK.....1 <i>(models with Quintolub hydraulic oil)</i>					
17	72999GT	DECAL,LABEL,PETRO CANADA***.....1 <i>(models with Petro Canada hydraulic oil)</i>					
18	82160GT	DECAL,LABEL,STATOIL HYDRA WAY .....1 <i>(models with Statoil hydraulic oil)</i>					
19	82161GT	DECAL,LABEL,UCON HYDROLUBE.....1 <i>(models with UConn Hydrolube hydraulic oil)</i>					
20	82366GT	DECAL, LABEL - CHEVRON RANDO....1 <i>(models with Chevron Random hydraulic oil)</i>					
21	82485GT	DECAL,LABEL,WHEEL LOAD 1530.....2 <i>(ANSI models)</i>					
22	82558GT	DECAL,WARN,SKIN INJECTION HAZ* .....1					
23	82559GT	DECAL,INSTRUCT-ANNUAL INSP REQ.....1					
24	82561GT	DECAL,DANGER-USE SAFETY ARM....1					
25	82570GT	DECAL,LABEL-WHEEL LOAD 1530/32.....2 <i>(Australia models)</i>					
26	114385GT	DECAL,DANGER,ELEC HAZARD,GS.....1					

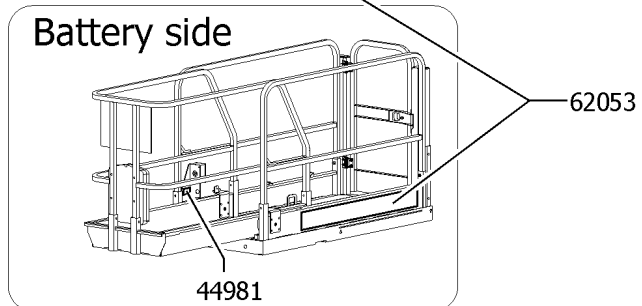
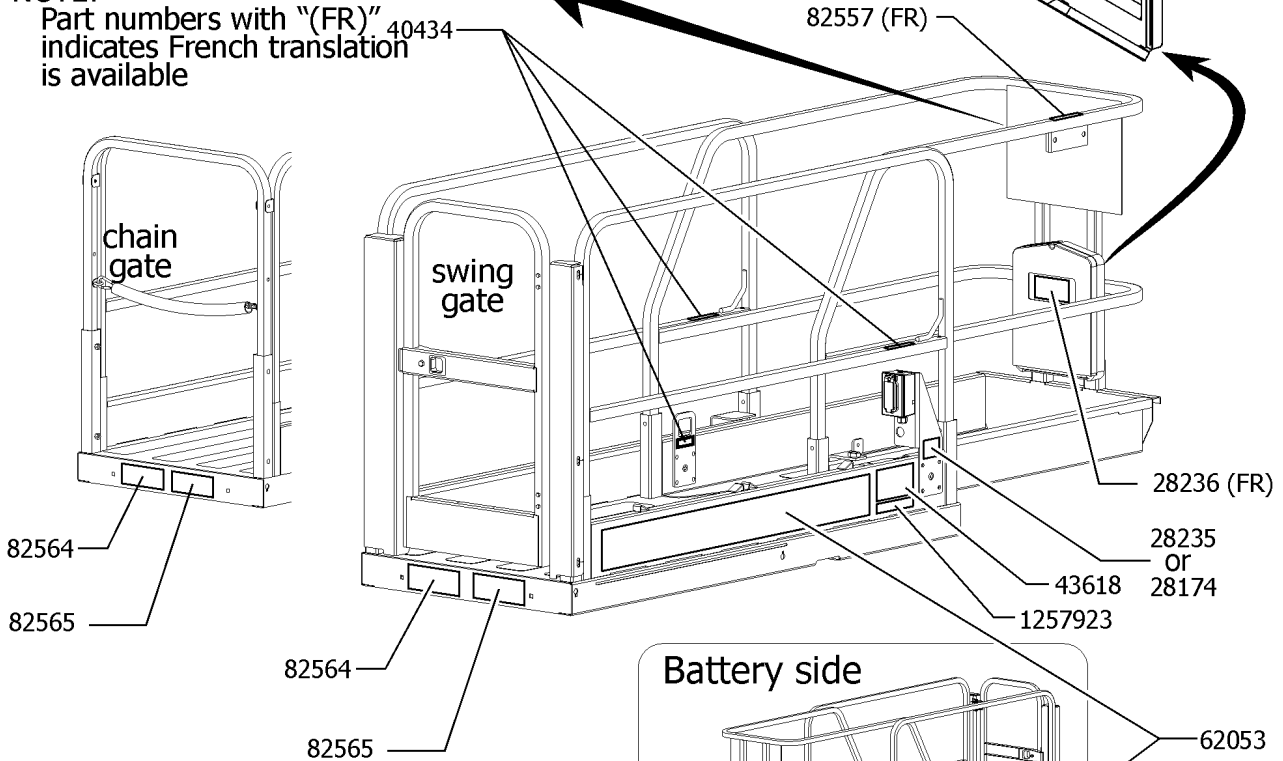
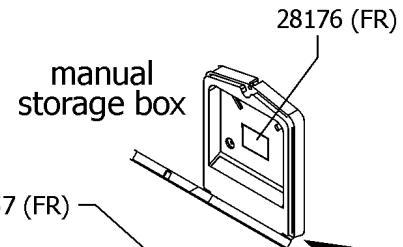


103.1 Decals with Words, GS-1530, Platform, ANSI

Platform, ANSI models



**NOTE:**  
Part numbers with "(FR)" indicates French translation is available

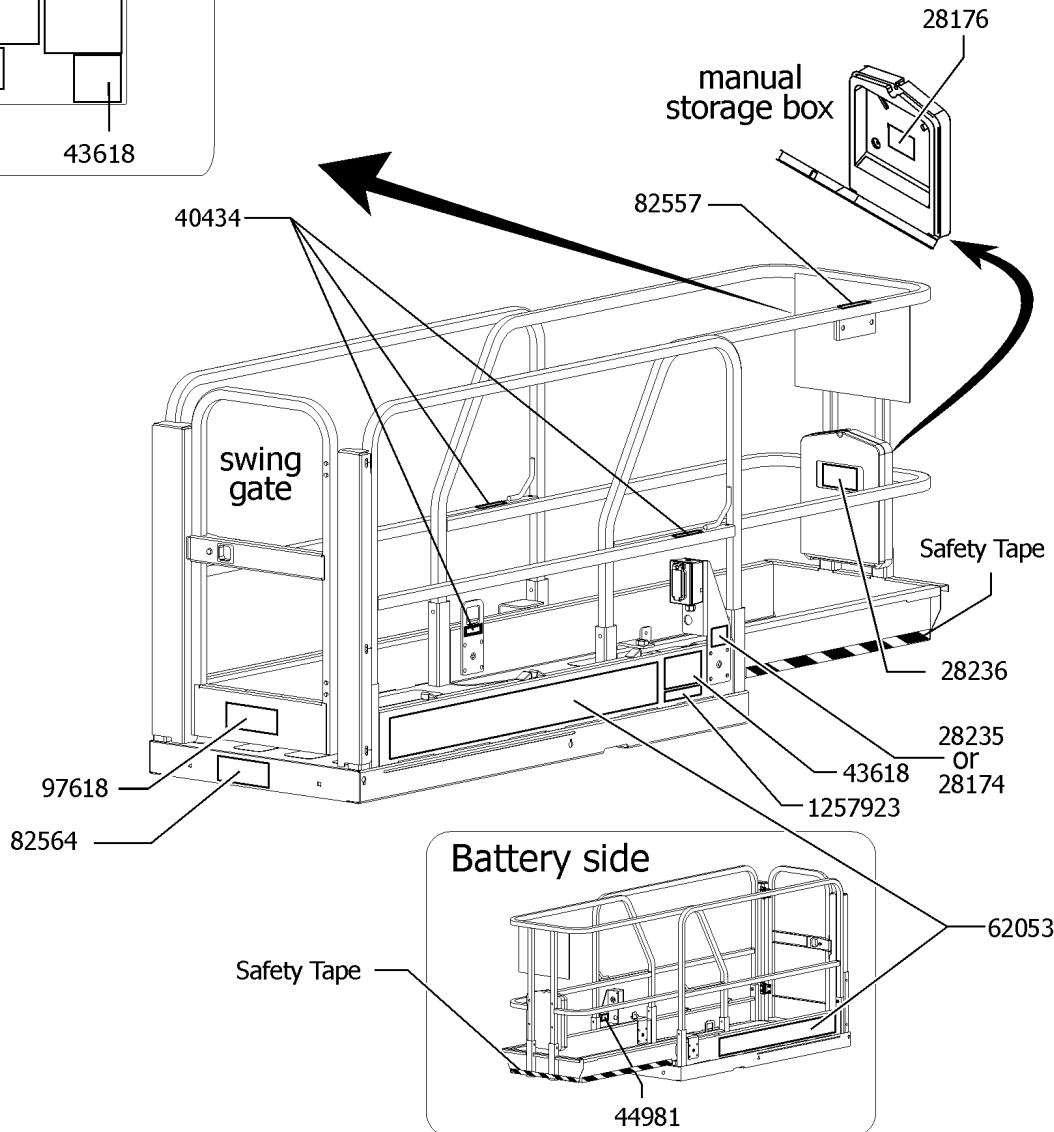
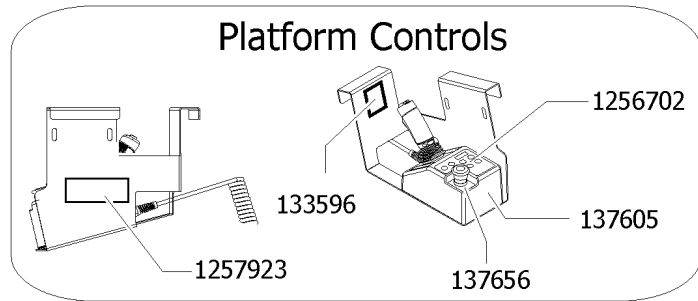
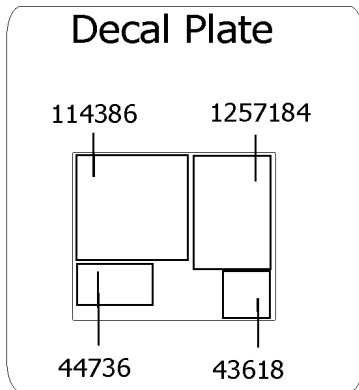


103.1 Decals with Words, GS-1530, Platform, ANSI

Item	Part No.	Description	Qty.
1	28174GT	DECAL,POWER TO PLATFORM 230V...1	
2	28176GT	DECAL,LABEL,MANUAL NOT HERE....1	
3	28235GT	DECAL,POWER TO PLATFORM 115V...1	
4	28236GT	DECAL,WARN,IMPROPER OPERATION.....1	
5	40434GT	DECAL,LANYARD ANCHORAGE POINT.....3	
6	43618GT	DECAL, LABEL - DIRECTION ARROWS.....2	
7	44736GT	DECAL,DANGER,TIP-OVER,TILT.....1	
8	44981GT	DECAL,LABEL,AIR LINE 110 PSI.....1	
9	62053GT	DECAL,COSMETIC,GENIE GS-1530**...2	
10	82557GT	DECAL,LABEL,PLAT CONT LOCATION.....1	
11	82564GT	DECAL,INSTR-MAX CAP 600LBS.....1	
12	82565GT	DECAL,INSTR-SIDE FRC,ANSI.....1	
13	114386GT	DECAL,DANGER-GEN SAFETY.....1	
14	133596GT	DECAL,LABEL,FAULT CODES.....1	
15	137605GT	DECAL,E-STOP,GR/GRC/GS PCON....1	
16	137656GT	DECAL,PROPEL,GR/GRC/GS,PCON....1	
17	1256702GT	DECAL, UI, GS/GR, PROP LIFT.....1	
18	1257182GT	DECAL, OP INST, PLAT, GS30, ANSI....1	
19	1257923GT	DECAL, SMARTLINK PROPORTIONAL.....2	

104.1 Decals with Words, GS-1530, Platform, Australia

# Platform, Australia Models

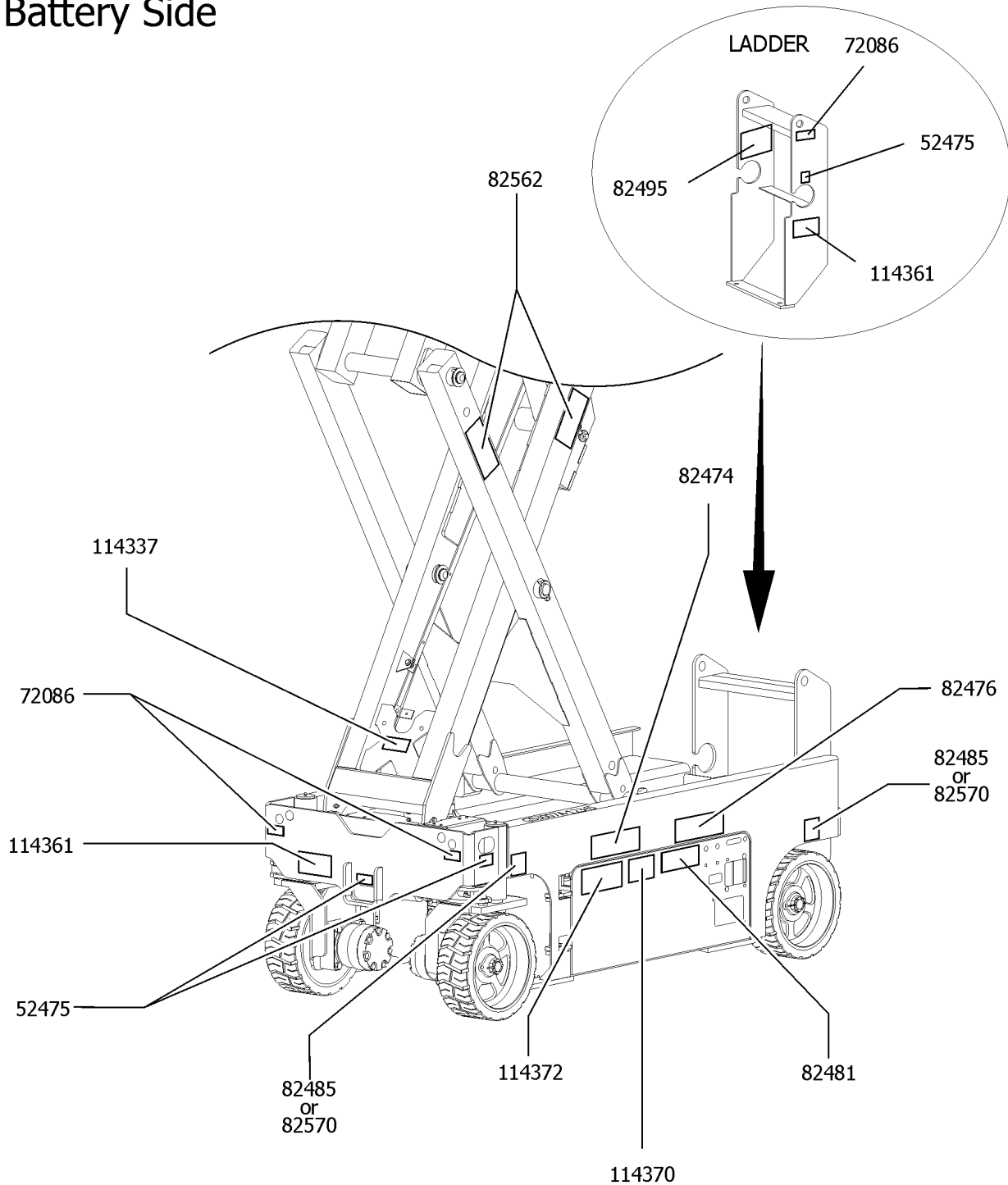


104.1 Decals with Words, GS-1530, Platform, Australia

Item	Part No.	Description	Qty.
1	28174GT	DECAL,POWER TO PLATFORM 230V...1	
2	28176GT	DECAL,LABEL,MANUAL NOT HERE....1	
3	28235GT	DECAL,POWER TO PLATFORM 115V...1	
4	28236GT	DECAL,WARN,IMPROPER OPERATION.....1	
5	40434GT	DECAL,LANYARD ANCHORAGE POINT.....3	
6	43618GT	DECAL, LABEL - DIRECTION ARROWS.....2	
7	44736GT	DECAL,DANGER,TIP-OVER,TILT.....1	
8	44981GT	DECAL,LABEL,AIR LINE 110 PSI.....1	
9	62053GT	DECAL,COSMETIC,GENIE GS-1530**...2	
10	82557GT	DECAL,LABEL,PLAT CONT LOCATION.....1	
11	97618GT	DECAL,INSTR-INDOOR USE,AUS.....1	
12	114386GT	DECAL,DANGER-GEN SAFETY.....1	
13	133596GT	DECAL,LABEL,FAULT CODES.....1	
14	137605GT	DECAL,E-STOP,GR/GRC/GS PCON....1	
15	137656GT	DECAL,PROPEL,GR/GRC/GS,PCON....1	
16	82564GT	DECAL,INSTR-MAX CAP 600LBS.....1	
17	1256702GT	DECAL, UI, GS/GR, PROP LIFT.....1	
18	1257184GT	DECAL, OP INST, PLAT, GS30, AUS....1	
19	1257923GT	DECAL, SMARTLINK PROPORTIONAL.....2	

105.1 Decals with Symbols, GS-1530 Battery Side, ANSI & CE

# Battery Side

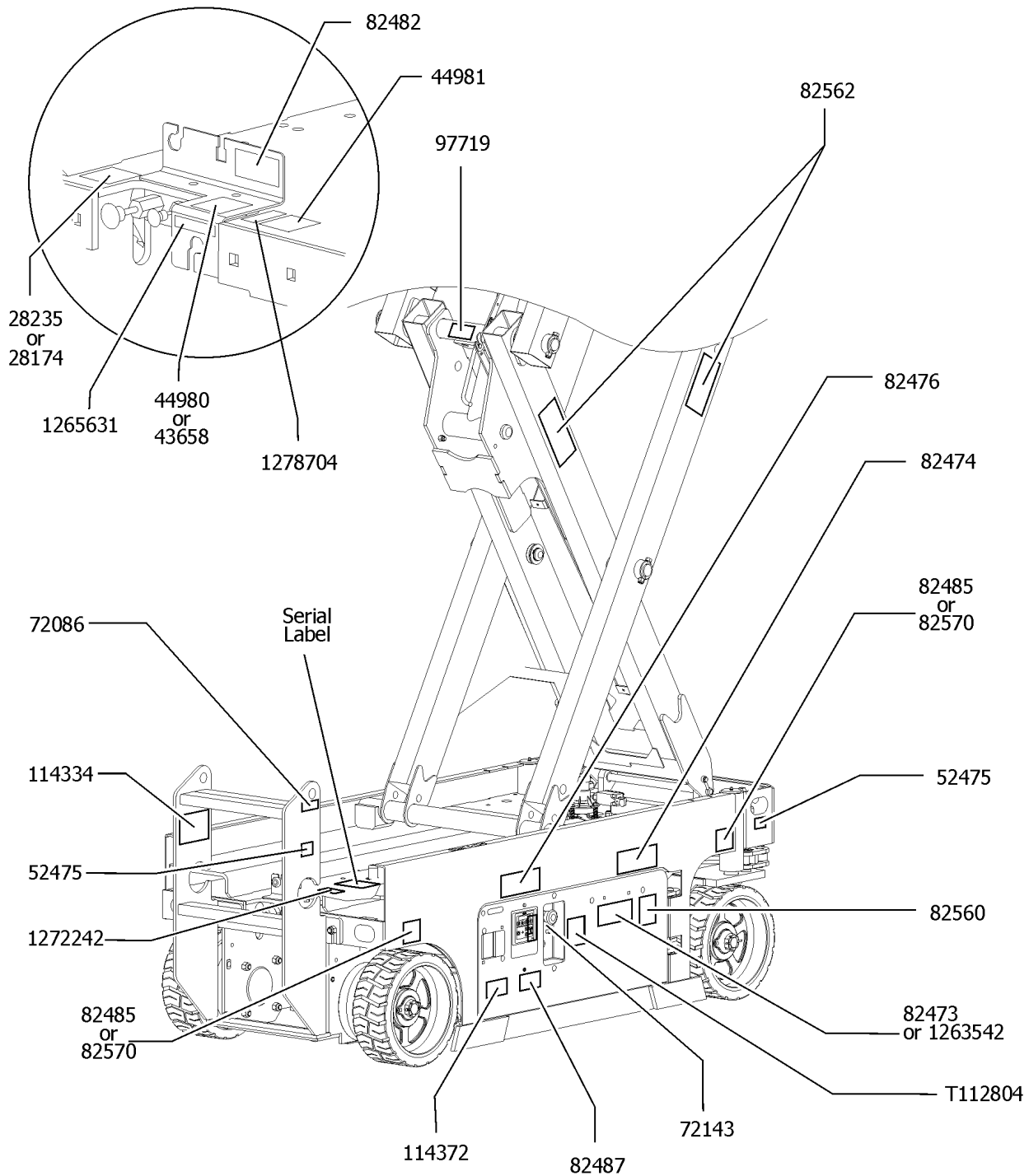


105.1 Decals with Symbols, GS-1530 Battery Side, ANSI & CE

Item	Part No.	Description	Qty.
1	52475GT	DECAL,LABEL,TRANSPORT TIEDOWN*.....	3
2	72086GT	DECAL,LABEL,LIFTING EYE.....	3
3	82474GT	DECAL,SYMBOL-USE SAFETY ARM....	1
4	82476GT	DECAL,SYMBOL-ELEC HAZARD,GS....	1
5	82481GT	DECAL,SYMBOL-BATTERY SAFETY.....	1
6	82485GT	DECAL,LABEL,WHEEL LOAD 1530..... (ANSI models)	2
7	82495GT	DECAL,SYMBOL-BRAKE REL SAFETY.....	1
8	82562GT	DECAL,SYMBOL-CRUSHING HAZARD.....	2
9	82570GT	DECAL,LABEL-WHEEL LOAD 1530/32..... (CE models)	2
10	114337GT	DECAL,SYM-TIP-OVER,LIM SWITCH....	1
11	114361GT	DECAL,LABEL-TRANSPORT DIGRAM.....	2
12	114370GT	DECAL-SYM-TIP-OVR,BATTRIES.....	1
13	114372GT	DECAL SYMBOL TIP OVER TRAYS.....	1

106.1 Decals with Symbols, GS-1530 Ground Control Side, ANSI & CE

# Ground Controls Side

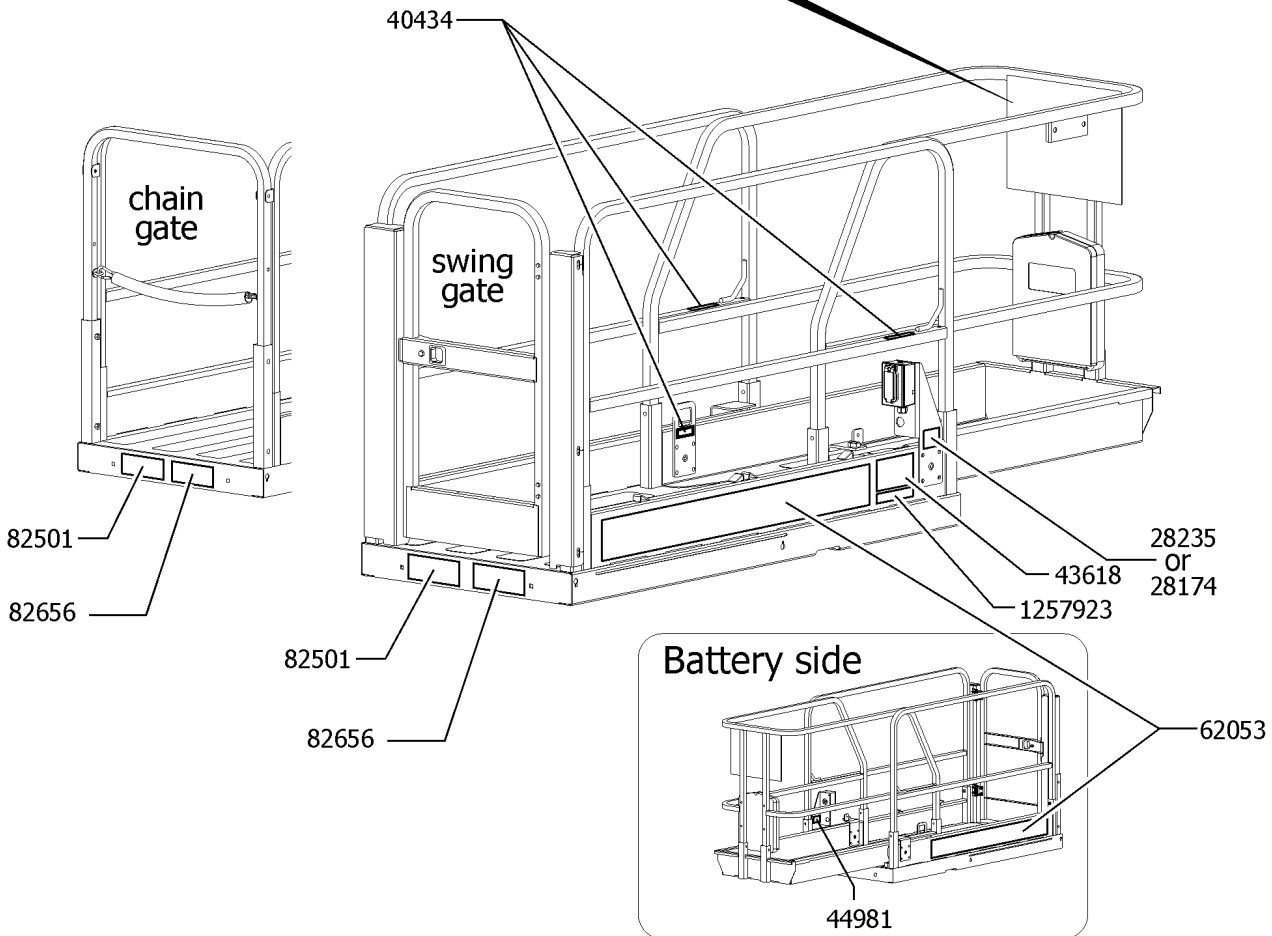
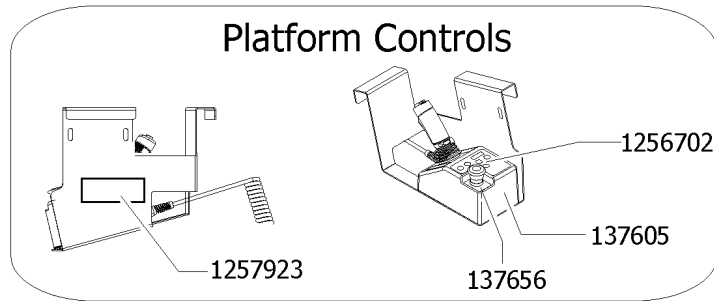
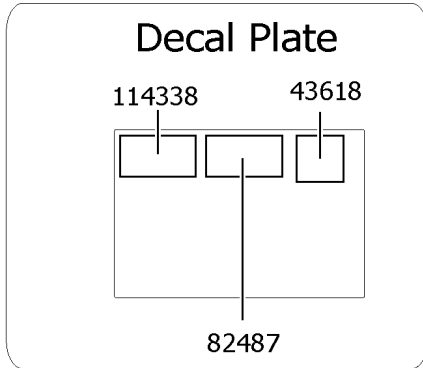


## 106.1 Decals with Symbols, GS-1530 Ground Control Side, ANSI &amp; CE

Item	Part No.	Description	Qty.
1	28174GT	DECAL,POWER TO PLATFORM 230V...1	
2	28235GT	DECAL,POWER TO PLATFORM 115V...1	
3	43658GT	DECAL,LABEL,PWR TO CHARGR 230V.....1	
4	44980GT	DECAL,LABEL,PWR TO CHARGR 115V.....1	
5	44981GT	DECAL,LABEL,AIR LINE 110 PSI.....1	
6	52475GT	DECAL,LABEL,TRANSPORT TIEDOWN*.....2	
7	72086GT	DECAL,LABEL,LIFTING EYE.....1	
8	72143GT	DECAL,EMERGENCY STOP,GR.....1	
9A	82473GT	DECAL,SYMBOL-COMP ACCESS.....1 <i>to SN GS30P-163976</i>	
9B	1263542GT	DECAL, COMPARTMENT ACCESS.....1 <i>from SN GS30P-163977</i>	
10	82474GT	DECAL,SYMBOL-USE SAFETY ARM....1	
11	82476GT	DECAL,SYMBOL-ELEC HAZARD,GS....1	
12	82482GT	DECAL,LABEL,AUX LOWERING.....1	
13	82485GT	DECAL,LABEL,WHEEL LOAD 1530.....2 <i>(ANSI models )</i>	
14	82487GT	DECAL,SYMBOL-READ THE MANUAL.....1	
15	82560GT	DECAL,SYMBOL-SKIN INJECT HAZRD.....1	
16	82562GT	DECAL,SYMBOL-CRUSHING HAZARD.....2	
17	82570GT	DECAL,LABEL-WHEEL LOAD 1530/32.....2 <i>(CE models)</i>	
18	97719GT	DECAL, LABEL, SAFETY ARM SYMB....1	
19	114334GT	DECAL,SYM-ELEC HAZARD,PLUG.....1	
20	114372GT	DECAL SYMBOL TIP OVER TRAYS.....1	
21	1272242GT	DECAL,MACHINE REGISTRATION/OWNER TRANSFER....1	
22	T112804GT	DECAL,GCON PANEL,GS.....1	
23	1265361GT	DECAL, BATTERY CHARGER INDICAT.....1 <i>(ANSI from SN 158209 to 173672) (AUS from 158209 )</i>	
24	1278704GT	DECAL,CHARGE STATUS IND.....1 <i>(ANSI from 173673)</i>	

107.1 Decals with Symbols, GS-1530 Platform, ANSI

### Platform, ANSI models

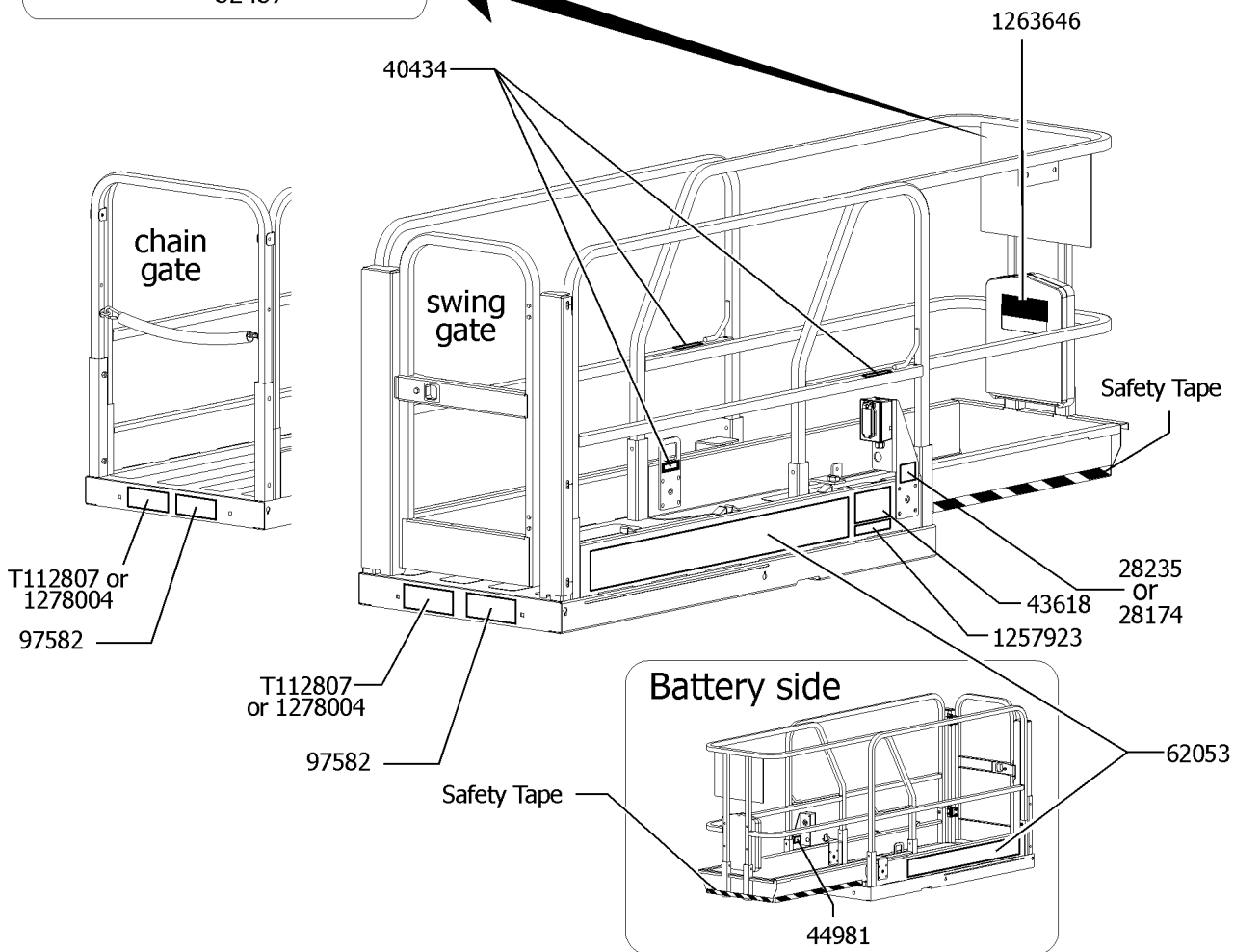
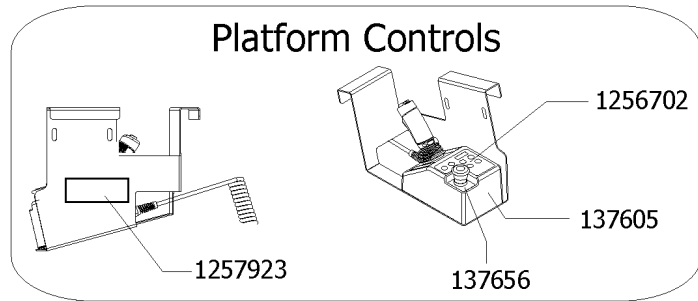
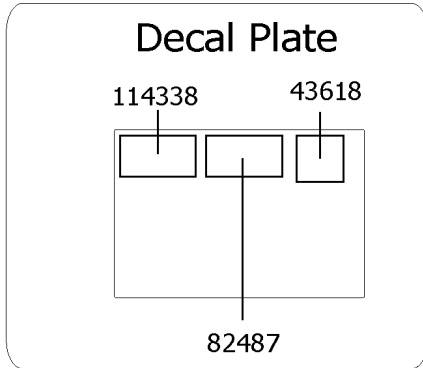


107.1 Decals with Symbols, GS-1530 Platform, ANSI

Item	Part No.	Description	Qty.
1	28174GT	DECAL,POWER TO PLATFORM 230V...1	
2	28235GT	DECAL,POWER TO PLATFORM 115V...1	
3	40434GT	DECAL,LANYARD ANCHORAGE POINT.....3	
4	43618GT	DECAL, LABEL - DIRECTION ARROWS.....2	
5	44981GT	DECAL,LABEL,AIR LINE 110 PSI.....1	
6	62053GT	DECAL,COSMETIC,GENIE GS-1530**...2	
7	82487GT	DECAL,SYMBOL-READ THE MANUAL.....1	
8	82501GT	DECAL,SYM-MAXCAP 600.....1	
9	82656GT	DECAL,SYM-SIDE FORCE 445N.....1	
10	114338GT	DECAL,SYM-TIP-OVER,TILT ALARM.....1	
11	137605GT	DECAL,E-STOP,GR/GRC/GS PCON.....1	
13	137656GT	DECAL,PROPEL,GR/GRC/GS,PCON.....1	
14	1256702GT	DECAL, UI, GS/GR, PROP LIFT.....1	
16	1257923GT	DECAL, SMARTLINK PROPORTIONAL.....2	

108.1 Decals with Symbols, GS-1530 Platform, CE

Platform,  
CE models



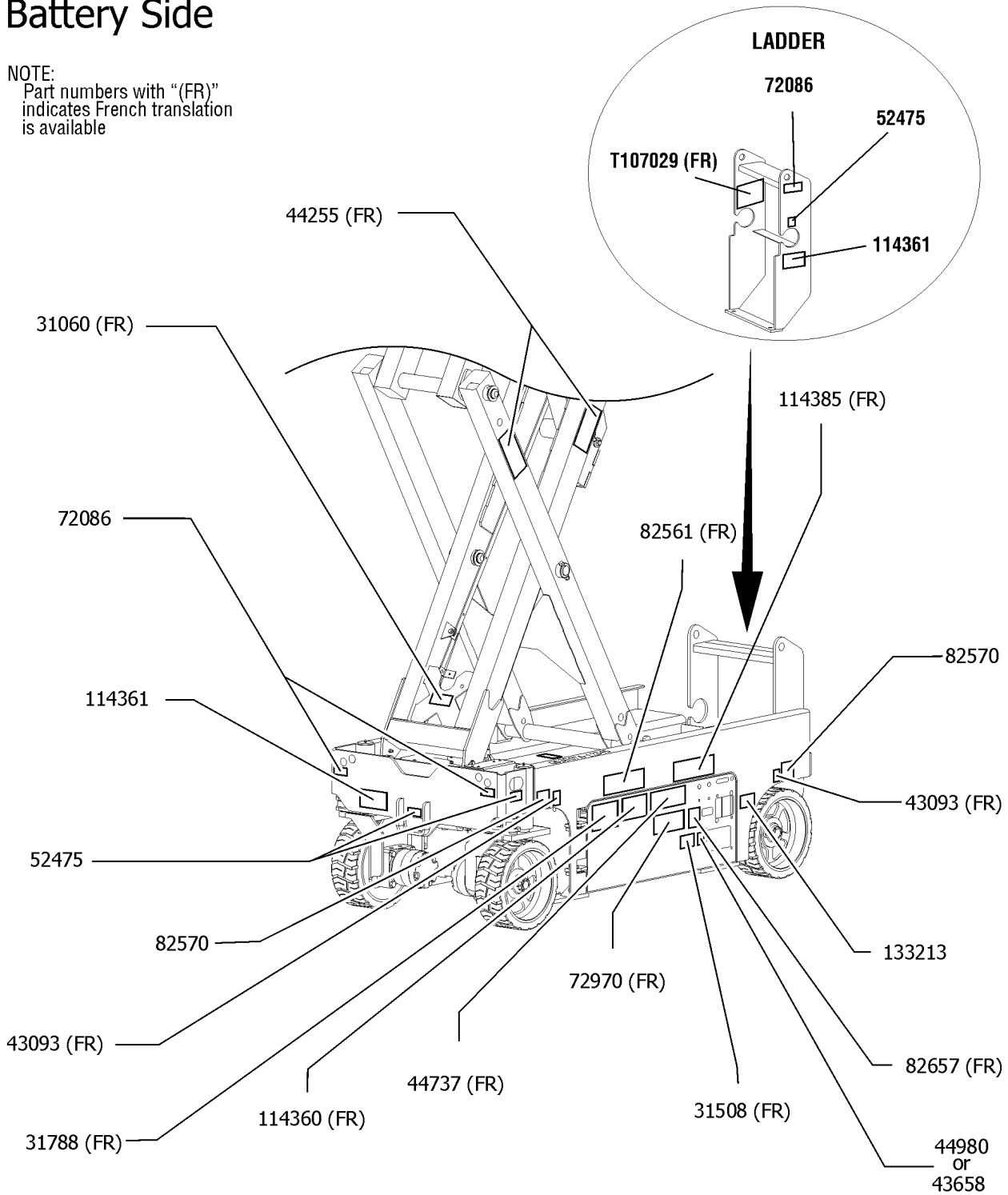
108.1 Decals with Symbols, GS-1530 Platform, CE

Item	Part No.	Description	Qty.
1	28174GT	DECAL,POWER TO PLATFORM 230V...1	
2	28235GT	DECAL,POWER TO PLATFORM 115V...1	
3	40434GT	DECAL,LANYARD ANCHORAGE POINT.....3	
4	43618GT	DECAL, LABEL - DIRECTION ARROWS.....2	
5	44981GT	DECAL,LABEL,AIR LINE 110 PSI.....1	
6	62053GT	DECAL,COSMETIC,GENIE GS-1530**...2	
7	82487GT	DECAL,SYMBOL-READ THE MANUAL.....1	
8	97582GT	DECAL,SYM-SIDEFORCE 400N ID.....1	
9	114338GT	DECAL,SYM-TIP-OVER,TILT ALARM.....1	
10	137605GT	DECAL,E-STOP,GR/GRC/GS PCON....1	
11	137656GT	DECAL,PROPEL,GR/GRC/GS,PCON....1	
12	T112807GT	DECAL,SYM MAX CAP 272 KG,CE.....1 <i>to SN GS30P-163976</i>	
13	1256702GT	DECAL, UI, GS/GR, PROP LIFT.....1	
14	1257923GT	DECAL, SMARTLINK PROPORTIONAL.....1	
15	1263646GT	DECAL,QR CODE,PARTS&SERVICE MANUAL.....1	
16	1278004GT	DECAL, SYMBOL, CE, MAXIMUM CAPACITY, 272KG.....1 <i>from SN GS30P-163977</i>	

109.1 Decals with Words, GS-1532, Battery Side, Australia

# Battery Side

NOTE:  
Part numbers with "(FR)" indicates French translation is available



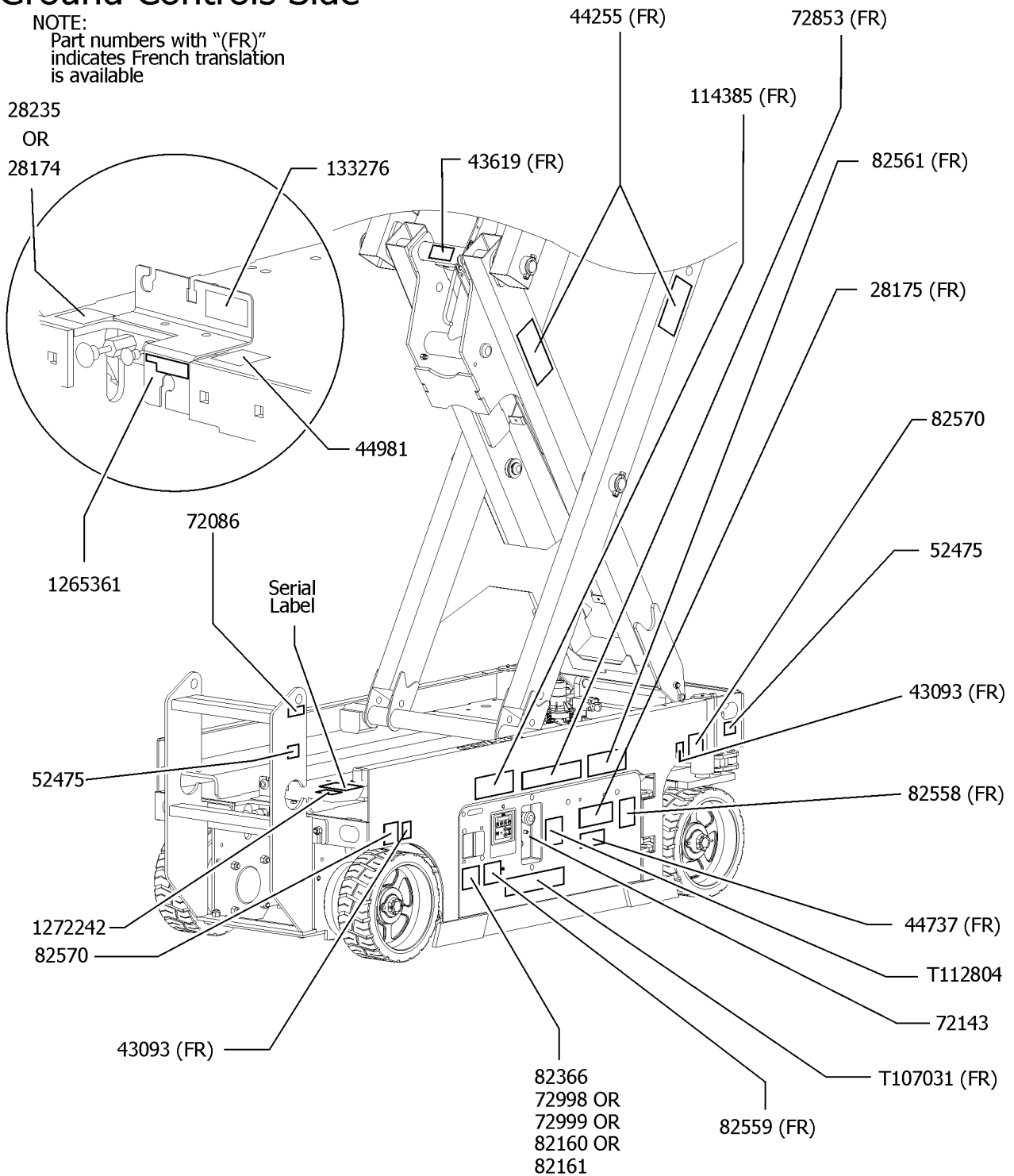
109.1 Decals with Words, GS-1532, Battery Side, Australia

Item	Part No.	Description	Qty.
1	44255GT	DECAL,DANGER,CRUSHING HAZARD.....	2
2	31060GT	DECAL,DANGER DO NOT ALTER SWTC.....	1
3	31508GT	DECAL,DANGER,ELECT HAZARD,PLUG..... <i>(Australia models)</i>	1
4	31788GT	DECAL,DANGER,BATTERY SAFETY***.....	1
5	43093GT	DECAL,LABEL,TIRE SPECS.....	2
6	43658GT	DECAL,LABEL,PWR TO CHARGR 230V..... <i>(Australia models)</i>	1
7	44737GT	DECAL DANGER TIP OVER TRAYS.....	1
8	44980GT	DECAL,LABEL,PWR TO CHARGR 115V..... <i>(Australia models)</i>	1
9	52475GT	DECAL,LABEL,TRANSPORT TIEDOWN*.....	3
10	72086GT	DECAL,LABEL,LIFTING EYE.....	3
11	72970GT	DECAL,INSTRUCTIONS-CHARGER OP.....	1
12	82561GT	DECAL,DANGER-USE SAFETY ARM....	1
13	82570GT	DECAL,LABEL-WHEEL LOAD 1530/32..... <i>(Australia models)</i>	2
14	82657GT	DECAL,INSTRUCT,BATTERY CONNECT.....	1
15	114360GT	DECAL,DANGER-TIP-OVER,BATT.....	1
16	114361GT	DECAL,LABEL-TRANSPORT DIGRAM.....	2
17	114385GT	DECAL,DANGER,ELEC HAZARD,GS....	1
18	133213GT	DECAL,NOTICE-DO NOT OPEN DOOR.....	1
19	T107029GT	DECAL,DANGER,BRAKE REL SAFETY.....	1

110.1 Decals with Words, GS-1532 Ground Controls Side, Australia

# Ground Controls Side

NOTE:  
Part numbers with "(FR)" indicates French translation is available

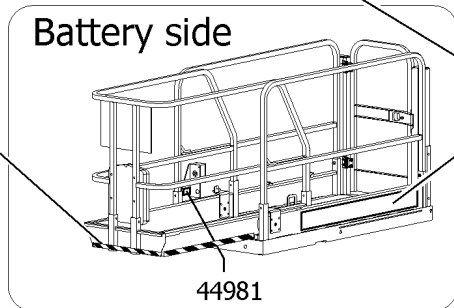
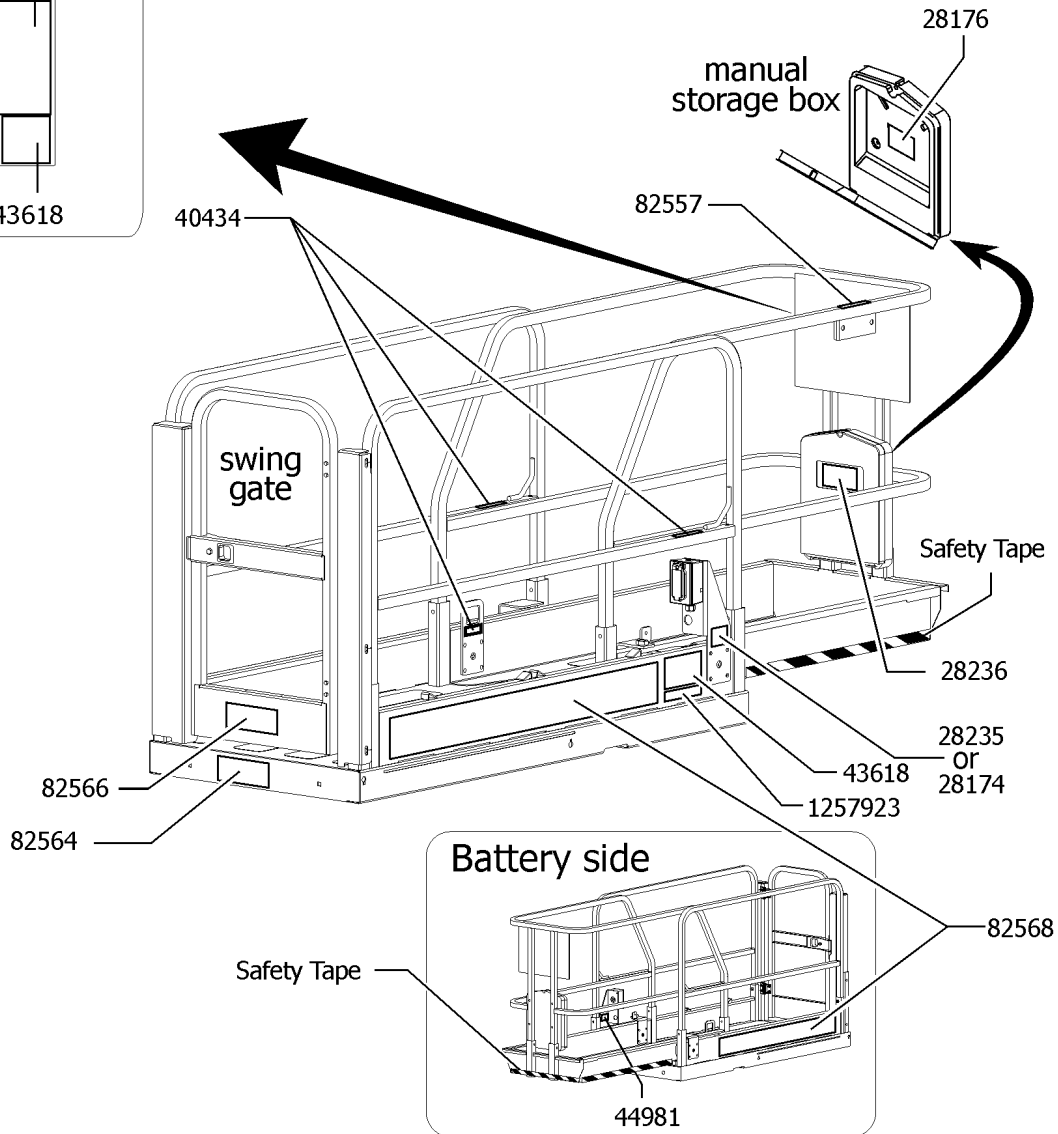
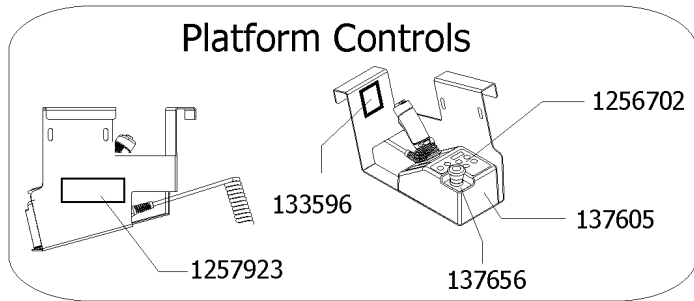
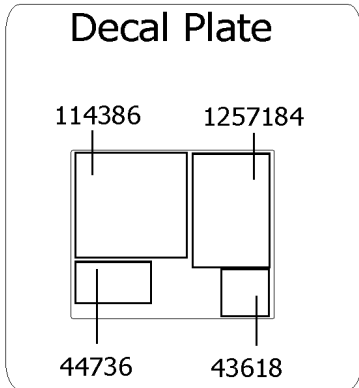


## 110.1 Decals with Words, GS-1532 Ground Controls Side, Australia

Item	Part No.	Description	Qty.
1	28174GT	DECAL,POWER TO PLATFORM 230V...1	
2	28175GT	DECAL,WARNING-COMPART ACCESS.....1	
3	28235GT	DECAL,POWER TO PLATFORM 115V...1	
4	43093GT	DECAL,LABEL,TIRE SPECS.....2	
5	43619GT	DECAL,LABEL,SAFETY ARM.....1	
7	44255GT	DECAL,DANGER,CRUSHING HAZARD.....2	
8	44737GT	DECAL DANGER TIP OVER TRAYS.....1	
9	44981GT	DECAL,LABEL,AIR LINE 110 PSI.....1 (option)	
10	52475GT	DECAL,LABEL,TRANSPORT TIEDOWN* .....2	
11	72086GT	DECAL,LABEL,LIFTING EYE.....1	
12	72143GT	DECAL,EMERGENCY STOP,GR.....1	
13	72853GT	DECAL,DANGER,IMPROPER USE HAZ.....1	
14	72998GT	DECAL,LABEL,QUINTOLUBRIK.....1 (models with Quintolub hydraulic oil)	
15	72999GT	DECAL,LABEL,PETRO CANADA***.....1 (models with Petro Canada hydraulic oil)	
16	82160GT	DECAL,LABEL,STATOIL HYDRA WAY .....1 (models with Statoil hydraulic oil)	
17	82161GT	DECAL,LABEL,UCON HYDROLUBE.....1 (models with Ucon Hydrolube hydraulic oil)	
18	82366GT	DECAL, LABEL - CHEVRON RANDO....1 (models with Chevron Random hydraulic oil)	
19	82558GT	DECAL,WARN,SKIN INJECTION HAZ* .....1	
20	82559GT	DECAL,INSTRUCT-ANNUAL INSP REQ.....1	
21	82561GT	DECAL,DANGER-USE SAFETY ARM....1	
22	82570GT	DECAL,LABEL-WHEEL LOAD 1530/32.....2 (Australia models)	
23	114385GT	DECAL,DANGER,ELEC HAZARD,GS....1	
24	133276GT	DECAL,EMERGENCY LOWERING.....1	
25	1272242GT	DECAL,MACHINE REGISTRATION/OWNER TRANSFER....1	
26	T107031GT	DECAL,OP INST,GCON.....1	
27	T112804GT	DECAL,GCON PANEL,GS.....1	
28	1265361GT	DECAL, BATTERY CHARGER INDICAT.....1 (AUS models from 158209)	

111.1 Decals with Words, GS-1532 Platform, Australia

# Platform, Australia Models

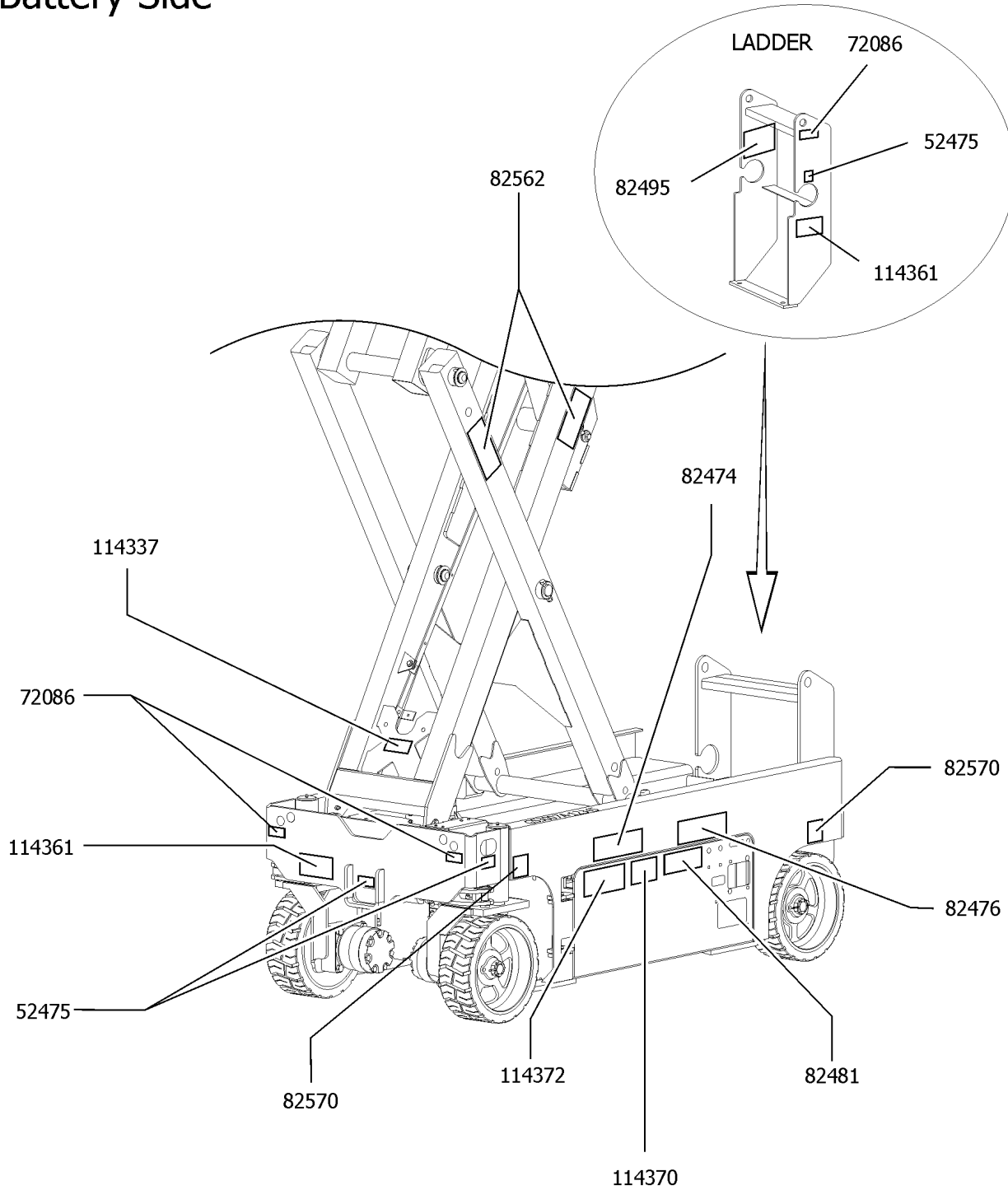


## 111.1 Decals with Words, GS-1532 Platform, Australia

Item	Part No.	Description	Qty.
1	28174GT	DECAL,POWER TO PLATFORM 230V...1	
2	28176GT	DECAL,LABEL,MANUAL NOT HERE....1	
3	28235GT	DECAL,POWER TO PLATFORM 115V...1	
4	28236GT	DECAL,WARN,IMPROPER OPERATION.....1	
5	40434GT	DECAL,LANYARD ANCHORAGE POINT.....3	
6	43618GT	DECAL, LABEL - DIRECTION ARROWS.....2	
7	44736GT	DECAL,DANGER,TIP-OVER,TILT.....1	
8	44981GT	DECAL,LABEL,AIR LINE 110 PSI.....1	
9	82568GT	DECAL,COSMETIC,GENIE GS-1532....2	
10	82557GT	DECAL,LABEL,PLAT CONT LOCATION.....1	
11	82566GT	DECAL,INSTR-MANUAL FRC,AUS.....1	
12	114386GT	DECAL,DANGER-GEN SAFETY.....1	
13	133596GT	DECAL,LABEL,FAULT CODES.....1	
14	137605GT	DECAL,E-STOP,GR/GRC/GS PCON....1	
15	137656GT	DECAL,PROPEL,GR/GRC/GS,PCON....1	
16	82564GT	DECAL,INSTR-MAX CAP 600LBS.....1	
17	1256702GT	DECAL, UI, GS/GR, PROP LIFT.....1	
18	1257184GT	DECAL, OP INST, PLAT, GS30, AUS....1	
19	1257923GT	DECAL, SMARTLINK PROPORTIONAL.....2	

112.1 Decals with Symbols, GS-1532 Battery Side, CE

# Battery Side

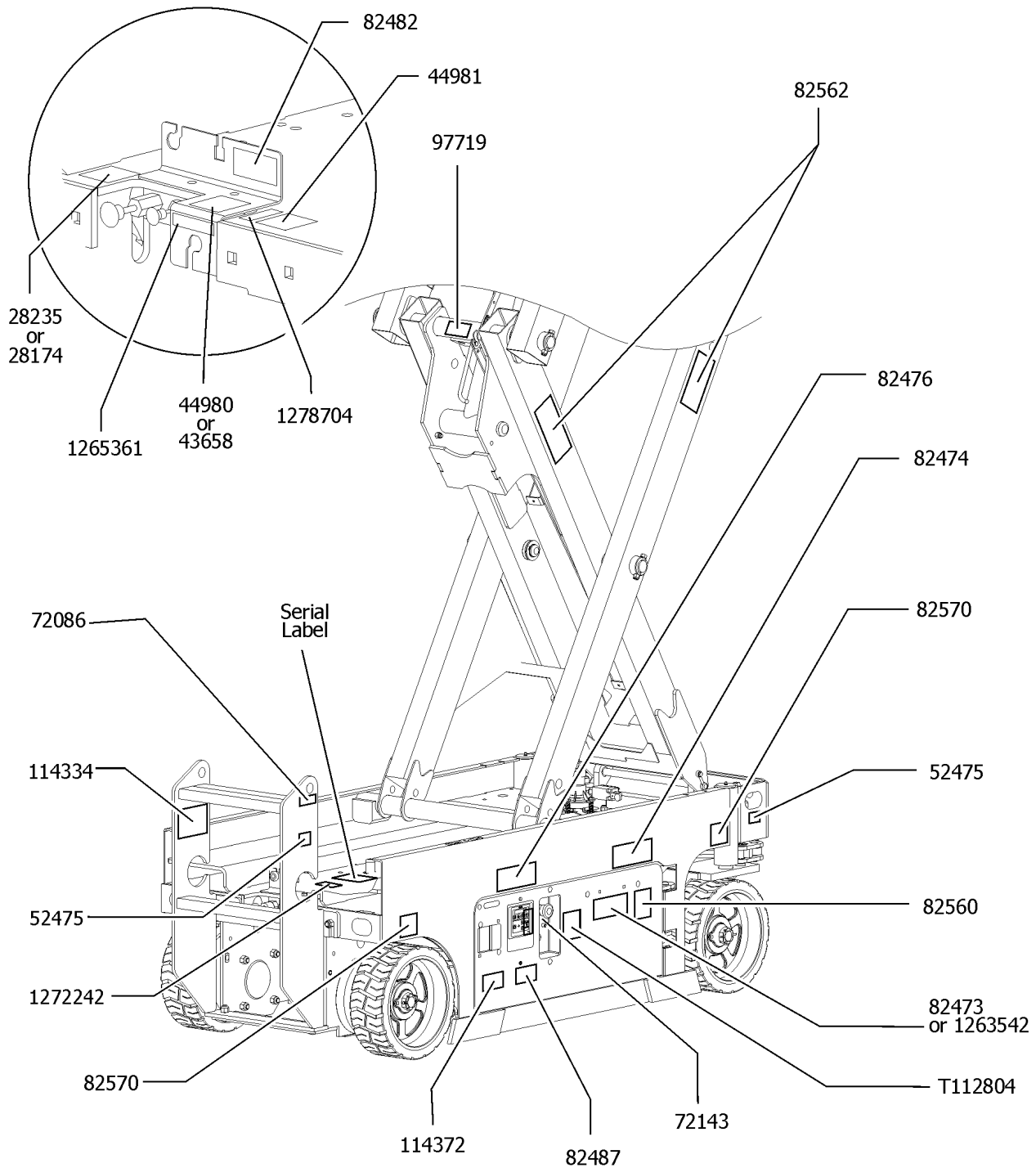


112.1 Decals with Symbols, GS-1532 Battery Side, CE

Item	Part No.	Description	Qty.
1	52475GT	DECAL,LABEL,TRANSPORT TIEDOWN*.....	3
2	72086GT	DECAL,LABEL,LIFTING EYE.....	3
3	82474GT	DECAL,SYMBOL-USE SAFETY ARM....	1
4	82476GT	DECAL,SYMBOL-ELEC HAZARD,GS....	1
5	82481GT	DECAL,SYMBOL-BATTERY SAFETY.....	1
6	82495GT	DECAL,SYMBOL-BRAKE REL SAFETY.....	1
7	82562GT	DECAL,SYMBOL-CRUSHING HAZARD.....	2
8	82570GT	DECAL,LABEL-WHEEL LOAD 1530/32..... (CE models)	2
9	114337GT	DECAL,SYM-TIP-OVER,LIM SWITCH....	1
10	114361GT	DECAL,LABEL-TRANSPORT DIGRAM.....	2
11	114370GT	DECAL-SYM-TIP-OVR,BATTRIES.....	1
12	114372GT	DECAL SYMBOL TIP OVER TRAYS.....	1

113.1 Decals with Symbols, GS-1532 Ground Control Side, CE

# Ground Controls Side

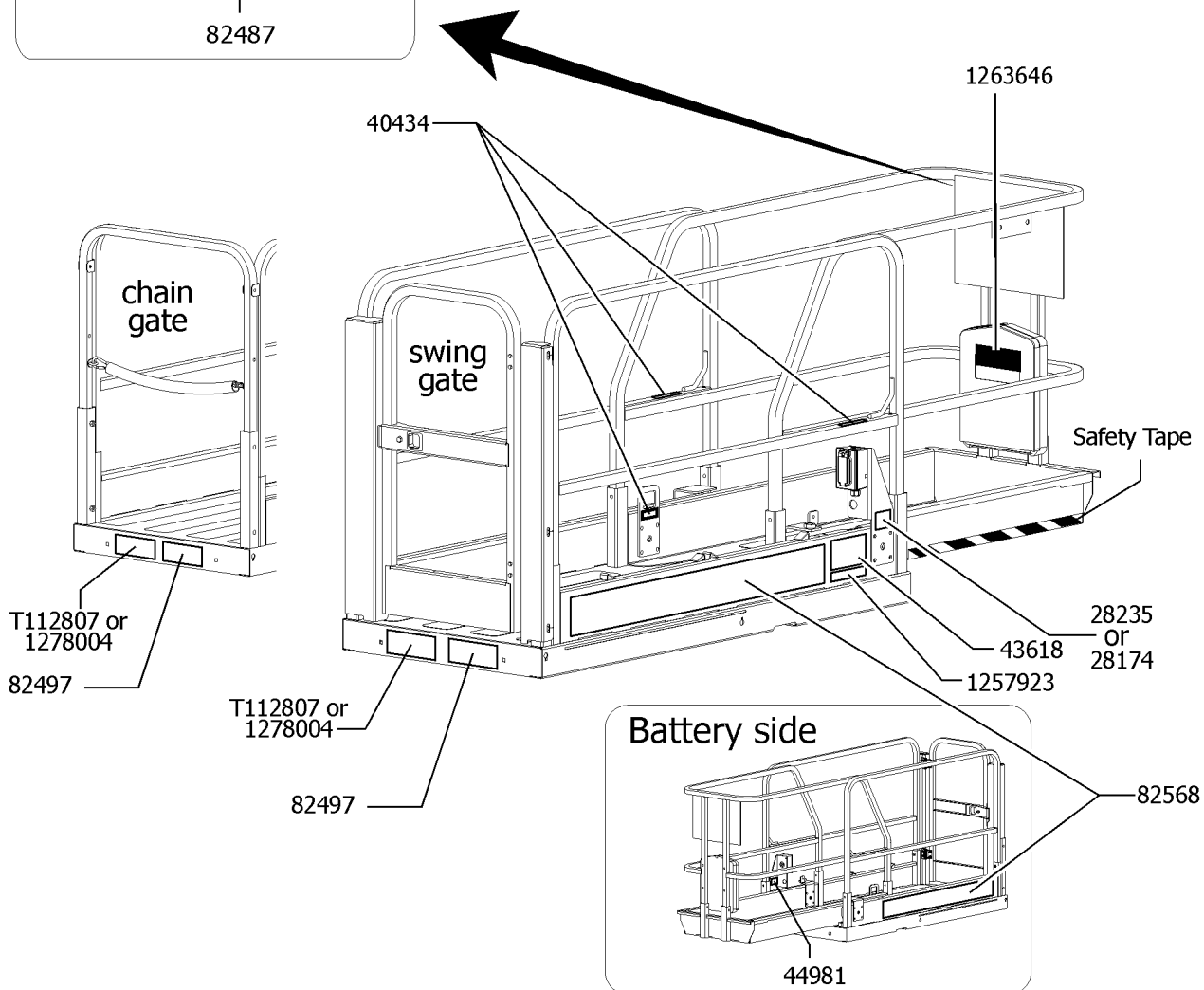
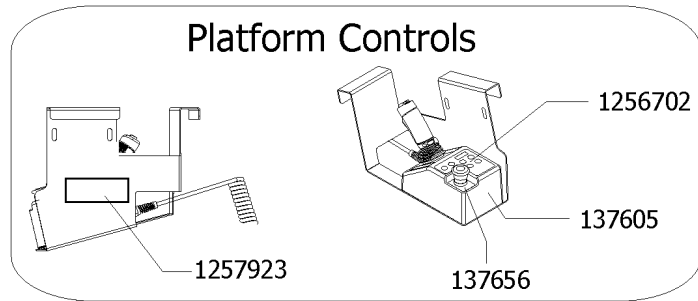
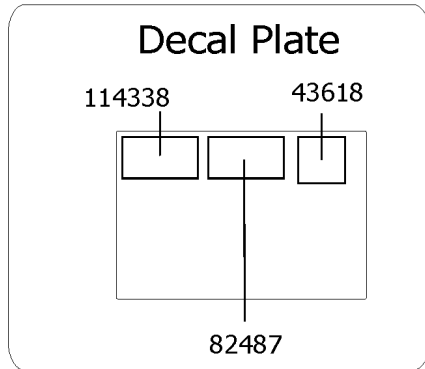


## 113.1 Decals with Symbols, GS-1532 Ground Control Side, CE

Item	Part No.	Description	Qty.
1	28174GT	DECAL,POWER TO PLATFORM 230V...1	
2	28235GT	DECAL,POWER TO PLATFORM 115V...1	
3	43658GT	DECAL,LABEL,PWR TO CHARGR 230V.....1	
4	44980GT	DECAL,LABEL,PWR TO CHARGR 115V.....1	
5	44981GT	DECAL,LABEL,AIR LINE 110 PSI.....1	
6	52475GT	DECAL,LABEL,TRANSPORT TIEDOWN*.....2	
7	72086GT	DECAL,LABEL,LIFTING EYE.....1	
8	72143GT	DECAL,EMERGENCY STOP,GR.....1	
9	82473GT	DECAL,SYMBOL-COMP ACCESS.....1 <i>to SN GS30P-163976</i>	
10	82474GT	DECAL,SYMBOL-USE SAFETY ARM....1	
11	82476GT	DECAL,SYMBOL-ELEC HAZARD,GS....1	
12	82482GT	DECAL,LABEL,AUX LOWERING.....1	
13	82487GT	DECAL,SYMBOL-READ THE MANUAL.....1	
14	82560GT	DECAL,SYMBOL-SKIN INJECT HAZRD.....1	
15	82562GT	DECAL,SYMBOL-CRUSHING HAZARD.....2	
16	82570GT	DECAL,LABEL-WHEEL LOAD 1530/32.....2 <i>(CE models)</i>	
17	97719GT	DECAL, LABEL, SAFETY ARM SYMB...1	
18	114334GT	DECAL,SYM-ELEC HAZARD,PLUG.....1	
19	114372GT	DECAL SYMBOL TIP OVER TRAYS.....1	
20	1263542GT	DECAL, COMPARTMENT ACCESS.....1 <i>from SN GS30P-163977</i>	
21	1272242GT	DECAL,MACHINE REGISTRATION/OWNER TRANSFER...1	
22	T112804GT	DECAL,GCON PANEL,GS.....1	
23	1265361GT	DECAL, BATTERY CHARGER INDICAT.....1 <i>(from SN 158209 to 173672)</i>	
24	1278704GT	DECAL,CHARGE STATUS IND.....1 <i>(from 173673)</i>	

114.1 Decals with Symbols, GS-1532 Platform, CE

### Platform, CE models



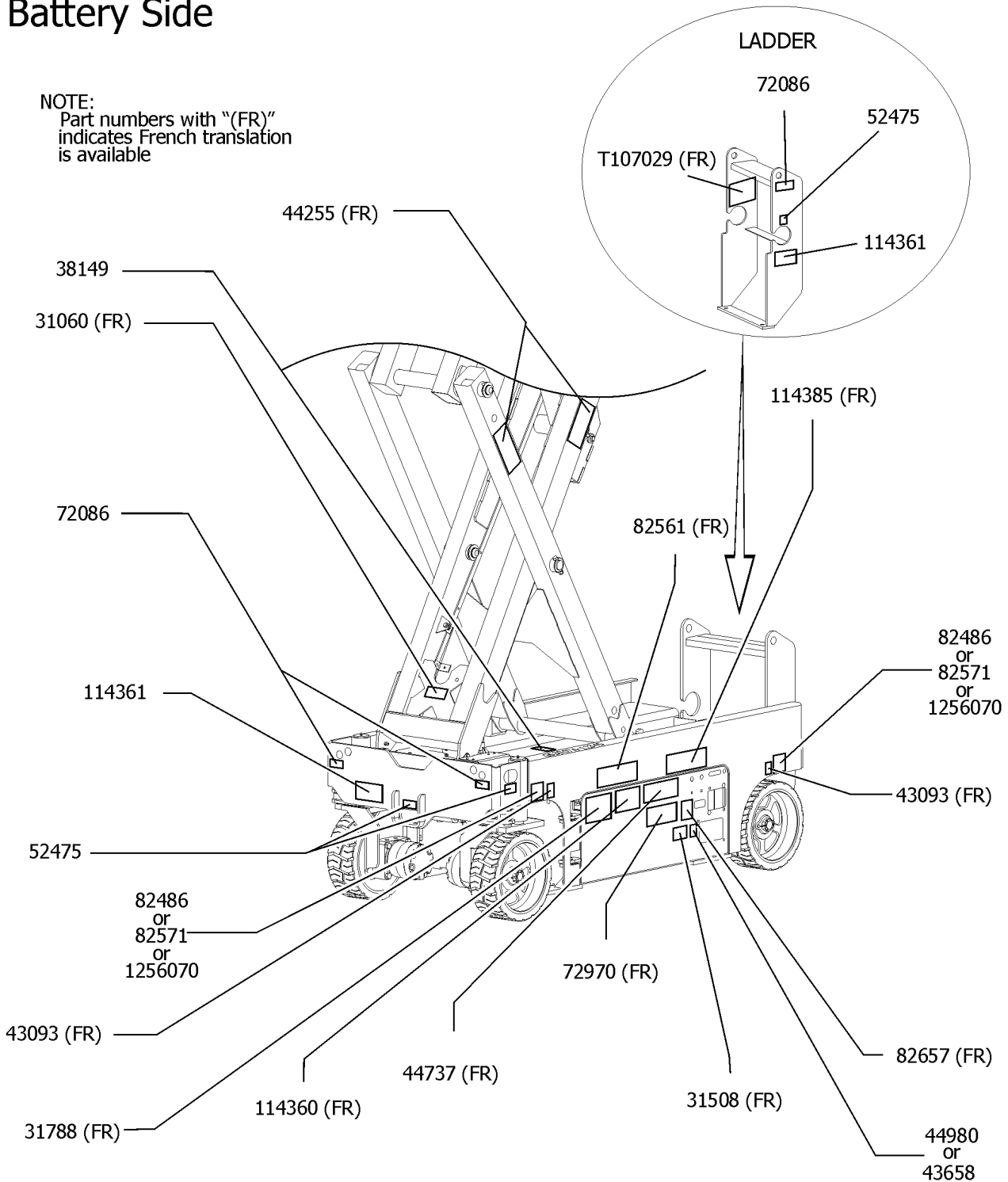
114.1 Decals with Symbols, GS-1532 Platform, CE

Item	Part No.	Description	Qty.
1	28174GT	DECAL,POWER TO PLATFORM 230V...1	
2	28235GT	DECAL,POWER TO PLATFORM 115V...1	
3	40434GT	DECAL,LANYARD ANCHORAGE POINT.....3	
4	43618GT	DECAL, LABEL - DIRECTION ARROWS.....2	
5	44981GT	DECAL,LABEL,AIR LINE 110 PSI.....1	
6	82487GT	DECAL,SYMBOL-READ THE MANUAL.....1	
7	82497GT	DECAL,SYM-SIDEFORCE 200400.....1	
8	82568GT	DECAL,COSMETIC,GENIE GS-1532....2	
9	114338GT	DECAL,SYM-TIP-OVER,TILT ALARM....1	
10	137605GT	DECAL,E-STOP,GR/GRC/GS PCON....1	
11	137656GT	DECAL,PROPEL,GR/GRC/GS,PCON....1	
12	T112807GT	DECAL,SYM MAX CAP 272 KG,CE.....1 <i>to SN GS30P-163976</i>	
13	1256702GT	DECAL, UI, GS/GR, PROP LIFT.....1	
14	1257923GT	DECAL, SMARTLINK PROPORTIONAL.....2	
15	1263646GT	DECAL,QR CODE,PARTS&SERVICE MANUAL.....1	
16	1278004GT	DECAL, SYMBOL, CE, MAXIMUM CAPACITY, 272KG.....1 <i>from SN GS30P-163977</i>	

115.1 Decals with Words, GS-1930 Battery Side, ANSI & Australia

# Battery Side

NOTE:  
Part numbers with "(FR)"  
indicates French translation  
is available



## 115.1 Decals with Words, GS-1930 Battery Side, ANSI &amp; Australia

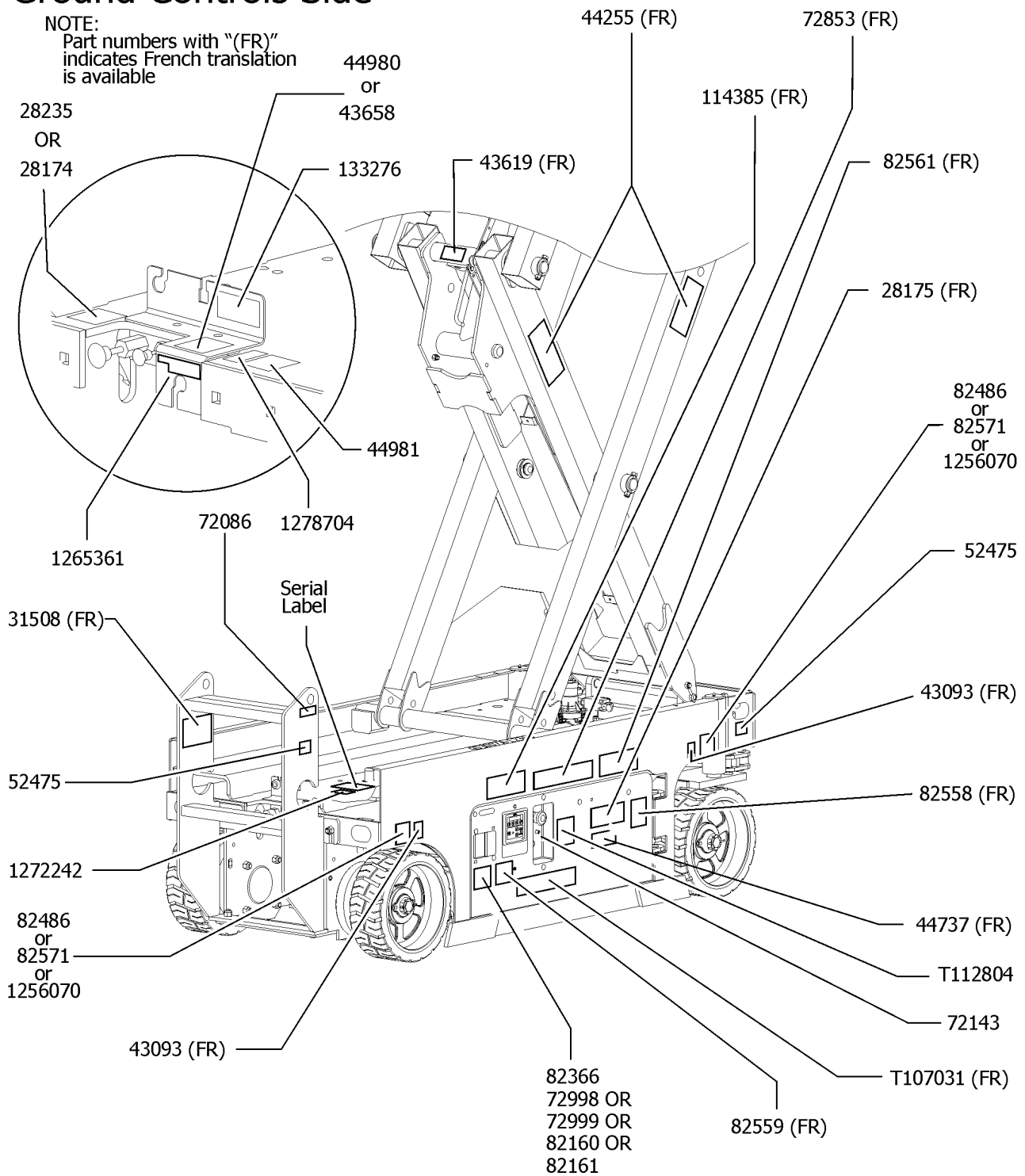
Item	Part No.	Description	Qty.
1	44255GT	DECAL,DANGER,CRUSHING HAZARD.....	2
2	31060GT	DECAL,DANGER DO NOT ALTER SWTC.....	1
3	31508GT	DECAL,DANGER,ELECT HAZARD,PLUG..... <i>(Australia models)</i>	1
4	31788GT	DECAL,DANGER,BATTERY SAFETY***.....	1
5	43093GT	DECAL,LABEL,TIRE SPECS.....	2
6	43658GT	DECAL,LABEL,PWR TO CHARGR 230V..... <i>(Australia models)</i>	1
7	44737GT	DECAL DANGER TIP OVER TRAYS.....	1
8	44980GT	DECAL,LABEL,PWR TO CHARGR 115V..... <i>(Australia models)</i>	1
9	52475GT	DECAL,LABEL,TRANSPORT TIEDOWN*.....	3
10	72086GT	DECAL,LABEL,LIFTING EYE.....	3
11	72970GT	DECAL,INSTRUCTIONS-CHARGER OP.....	1
12	82486GT	DECAL,LABEL,WHEEL LOAD 1930..... <i>(ANSI models)</i>	2
13	82561GT	DECAL,DANGER-USE SAFETY ARM....	1
14	82571GT	DECAL,LABEL,WHEEL LOAD 19XX..... <i>(Australia models)</i>	2
15	82657GT	DECAL,INSTRUCT,BATTERY CONNECT.....	1
16	114360GT	DECAL,DANGER-TIP-OVER,BATT.....	1
17	114361GT	DECAL,LABEL-TRANSPORT DIGRAM.....	2
18	114385GT	DECAL,DANGER,ELEC HAZARD,GS....	1
19	1256070GT	DECAL,LABEL,WHEEL LOAD,1930PAR..... <i>(ANSI models with padded auxiliary rail only)</i>	2
20	T107029GT	DECAL,DANGER,BRAKE REL SAFETY.....	1

116.1 Decals with Words, GS-1930 Ground Controls Side, ANSI & Australia

# Ground Controls Side

**NOTE:**

Part numbers with "(FR)" indicates French translation is available

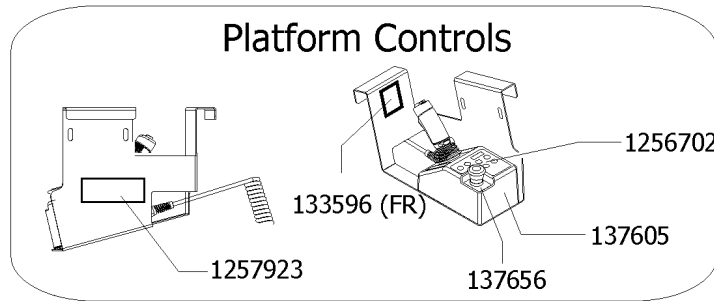
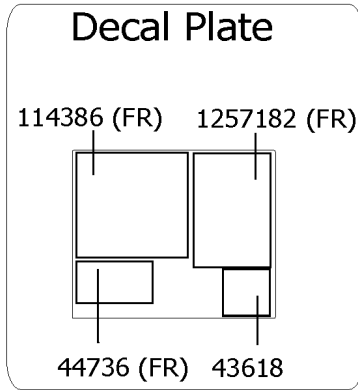


116.1 Decals with Words, GS-1930 Ground Controls Side, ANSI & Australia

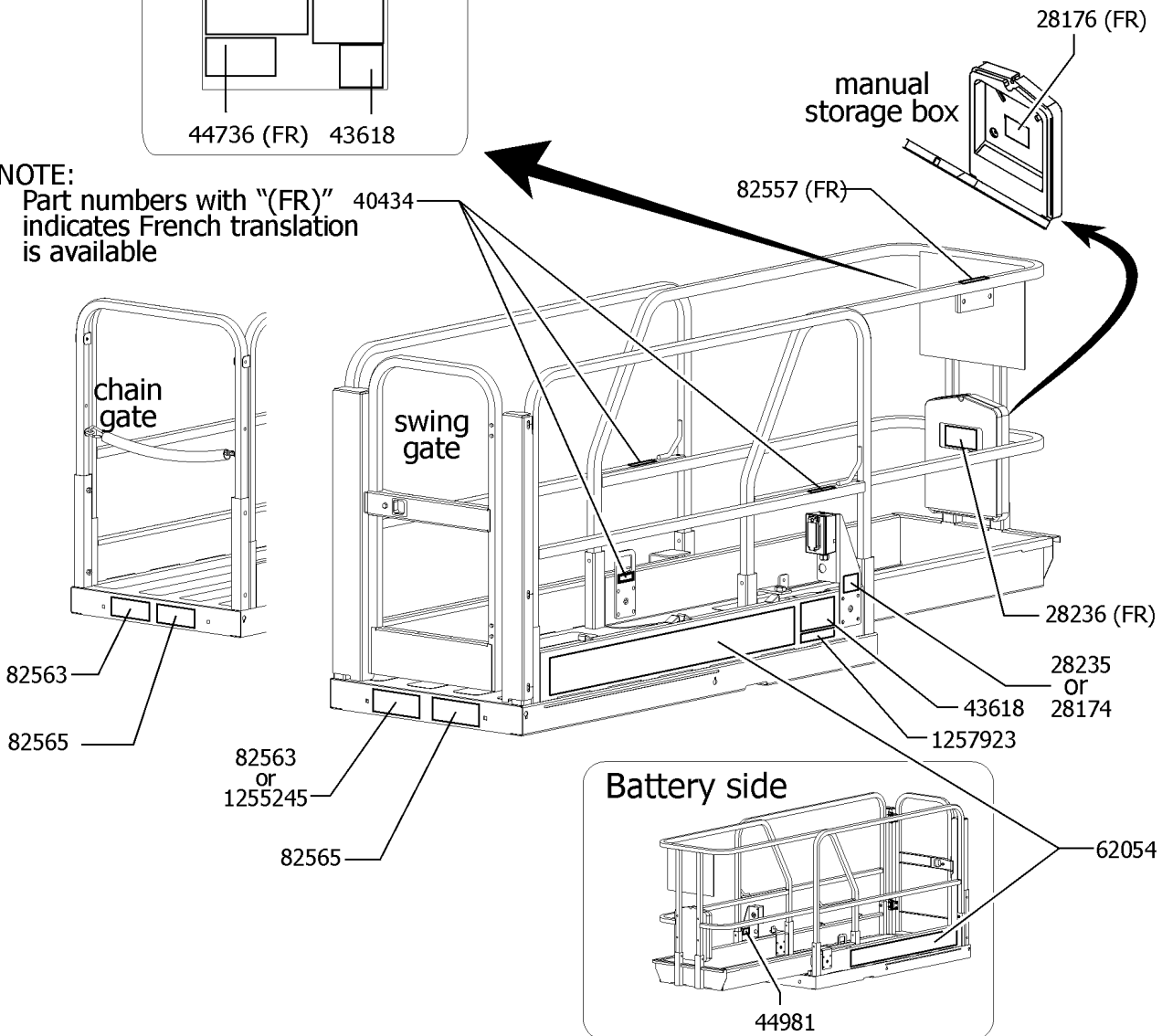
Item	Part No.	Description	Qty.	Item	Part No.	Description	Qty.
1	28174GT	DECAL,POWER TO PLATFORM 230V...1		28	1256070GT	DECAL,LABEL,WHEEL LOAD,1930PAR.....2 <i>(ANSI models with padded auxiliary rail only)</i>	
2	28175GT	DECAL,WARNING-COMPART ACCESS.....1		29	1272242GT	DECAL,MACHINE REGISTRATION/OWNER TRANSFER....1	
3	28235GT	DECAL,POWER TO PLATFORM 115V...1		30	T107031GT	DECAL,OP INST,GCON.....1	
4	31508GT	DECAL,DANGER,ELECT HAZARD,PLUG.....1 <i>(ANSI models)</i>		31	T112804GT	DECAL,GCON PANEL,GS.....1	
5	43093GT	DECAL,LABEL,TIRE SPECS.....2		32	1265361GT	DECAL, BATTERY CHARGER INDICAT.....1 <i>(ANSI from SN 158209 to 173672) (AUS from 158209)</i>	
6	43619GT	DECAL,LABEL,SAFETY ARM.....1		33	1278704GT	DECAL,CHARGE STATUS IND.....1 <i>(ANSI from 173673)</i>	
7	43658GT	DECAL,LABEL,PWR TO CHARGR 230V.....1 <i>(ANSI models)</i>					
8	44255GT	DECAL,DANGER,CRUSHING HAZARD.....2					
9	44737GT	DECAL DANGER TIP OVER TRAYS.....1					
10	44980GT	DECAL,LABEL,PWR TO CHARGR 115V.....1 <i>(ANSI models)</i>					
11	44981GT	DECAL,LABEL,AIR LINE 110 PSI.....1 <i>(option)</i>					
12	52475GT	DECAL,LABEL,TRANSPORT TIEDOWN*.....2					
13	72086GT	DECAL,LABEL,LIFTING EYE.....1					
14	72143GT	DECAL,EMERGENCY STOP,GR.....1					
15	72853GT	DECAL,DANGER,IMPROPER USE HAZ.....1					
16	72998GT	DECAL,LABEL,QUINTOLUBRIK.....1 <i>(models with Quintolub hydraulic oil)</i>					
17	72999GT	DECAL,LABEL,PETRO CANADA***.....1 <i>(models with Petro Canada hydraulic oil)</i>					
18	82160GT	DECAL,LABEL,STATOIL HYDRA WAY .....1 <i>(models with Statoil hydraulic oil)</i>					
19	82161GT	DECAL,LABEL,UCON HYDROLUBE.....1 <i>(models with UConn Hydrolube hydraulic oil)</i>					
20	82366GT	DECAL, LABEL - CHEVRON RANDO....1 <i>(models with Chevron Random hydraulic oil)</i>					
21	82486GT	DECAL,LABEL,WHEEL LOAD 1930.....2 <i>(ANSI models)</i>					
22	82558GT	DECAL,WARN,SKIN INJECTION HAZ* .....1					
23	82559GT	DECAL,INSTRUCT-ANNUAL INSP REQ.....1					
24	82561GT	DECAL,DANGER-USE SAFETY ARM....1					
25	82571GT	DECAL,LABEL,WHEEL LOAD 19XX.....2 <i>(Australia models)</i>					
26	114385GT	DECAL,DANGER,ELEC HAZARD,GS.....1					
27	133276GT	DECAL,EMERGENCY LOWERING.....1					

117.1 Decals with Words, GS-1930 Platform, ANSI

Platform, ANSI models



**NOTE:**  
Part numbers with "(FR)" indicates French translation is available

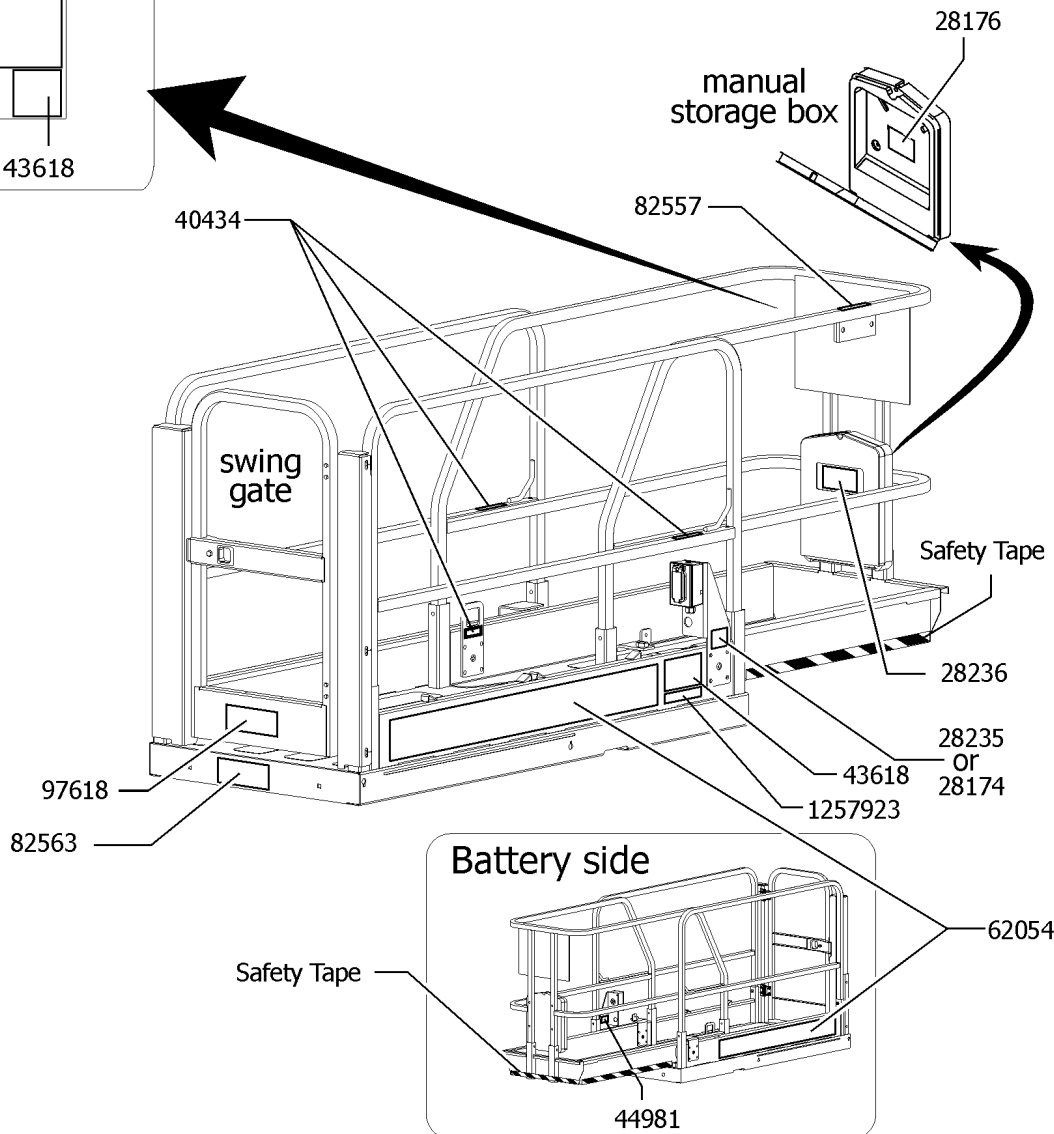
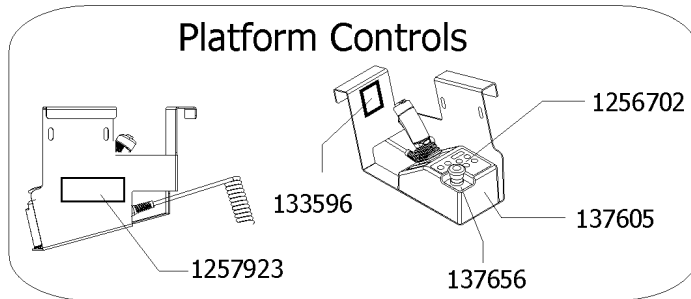
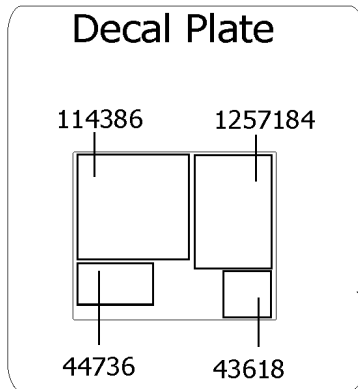


117.1 Decals with Words, GS-1930 Platform, ANSI

Item	Part No.	Description	Qty.
1	28174GT	DECAL,POWER TO PLATFORM 230V...1	
2	28176GT	DECAL,LABEL,MANUAL NOT HERE....1	
3	28235GT	DECAL,POWER TO PLATFORM 115V...1	
4	28236GT	DECAL,WARN,IMPROPER OPERATION.....1	
5	40434GT	DECAL,LANYARD ANCHORAGE POINT.....3	
6	43618GT	DECAL, LABEL - DIRECTION ARROWS.....2	
7	44736GT	DECAL,DANGER,TIP-OVER,TILT.....1	
8	44981GT	DECAL,LABEL,AIR LINE 110 PSI.....1	
9	62054GT	DECAL,COSMETIC,GENIE GS-1930**...2	
10	82557GT	DECAL,LABEL,PLAT CONT LOCATION.....1	
11	82563GT	DECAL,INSTR-MAX CAP 500 LBS.....1 <i>(GS1930 and GS1932 models)</i>	
12	82565GT	DECAL,INSTR-SIDE FRC,ANSI.....1	
13	114386GT	DECAL,DANGER-GEN SAFETY.....1	
14	133596GT	DECAL,LABEL,FAULT CODES.....1	
15	137605GT	DECAL,E-STOP,GR/GRC/GS PCON.....1	
17	137656GT	DECAL,PROPEL,GR/GRC/GS,PCON.....1	
18	1255245GT	DECAL,INSTR-MAX CAP 400 LBS.....1 <i>(models with padded auxiliary rail only)</i>	
19	1256702GT	DECAL, UI, GS/GR, PROP LIFT.....1	
21	1257182GT	DECAL, OP INST, PLAT, GS30, ANSI.....1	
22	1257923GT	DECAL, SMARTLINK PROPORTIONAL.....2	

118.1 Decals with Words, GS-1930 Platform, Australia

# Platform, Australia Models

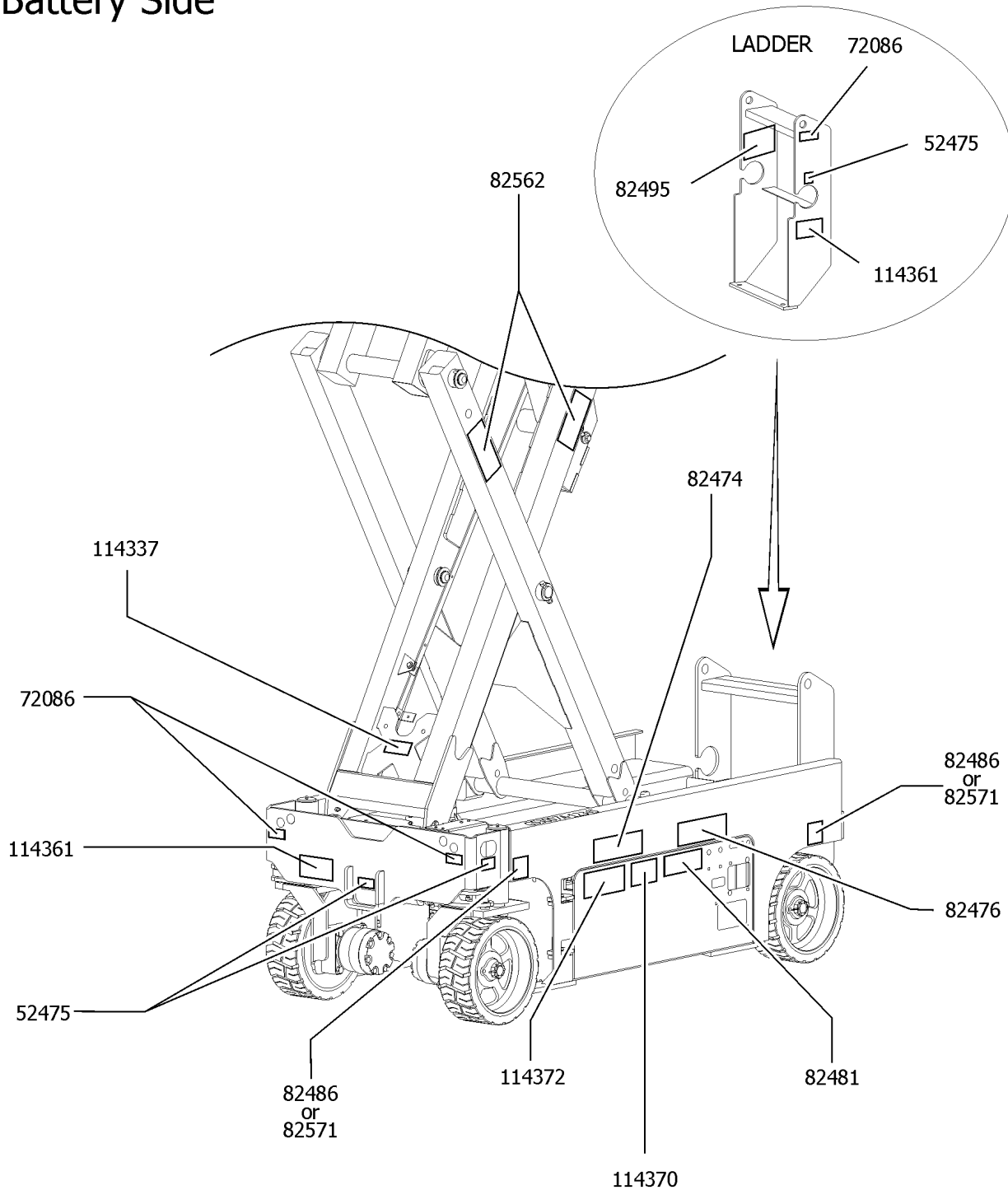


## 118.1 Decals with Words, GS-1930 Platform, Australia

Item	Part No.	Description	Qty.
1	28174GT	DECAL,POWER TO PLATFORM 230V...1	
2	28176GT	DECAL,LABEL,MANUAL NOT HERE....1	
3	28235GT	DECAL,POWER TO PLATFORM 115V...1	
4	28236GT	DECAL,WARN,IMPROPER OPERATION.....1	
5	40434GT	DECAL,LANYARD ANCHORAGE POINT.....3	
6	43618GT	DECAL, LABEL - DIRECTION ARROWS.....2	
7	44736GT	DECAL,DANGER,TIP-OVER,TILT.....1	
8	44981GT	DECAL,LABEL,AIR LINE 110 PSI.....1	
9	62054GT	DECAL,COSMETIC,GENIE GS-1930**...2	
10	82557GT	DECAL,LABEL,PLAT CONT LOCATION.....1	
11	97618GT	DECAL,INSTR-INDOOR USE,AUS.....1	
12	114386GT	DECAL,DANGER-GEN SAFETY.....1	
13	133596GT	DECAL,LABEL,FAULT CODES.....1	
14	137605GT	DECAL,E-STOP,GR/GRC/GS PCON....1	
15	137656GT	DECAL,PROPEL,GR/GRC/GS,PCON....1	
16	82563GT	DECAL,INSTR-MAX CAP 500 LBS.....1 (GS1930 and GS1932 models)	
17	1256702GT	DECAL, UI, GS/GR, PROP LIFT.....1	
18	1257184GT	DECAL, OP INST, PLAT, GS30, AUS....1	
19	1257923GT	DECAL, SMARTLINK PROPORTIONAL.....2	

119.1 Decals with Symbols, GS-1930 Battery Side, ANSI & CE

# Battery Side

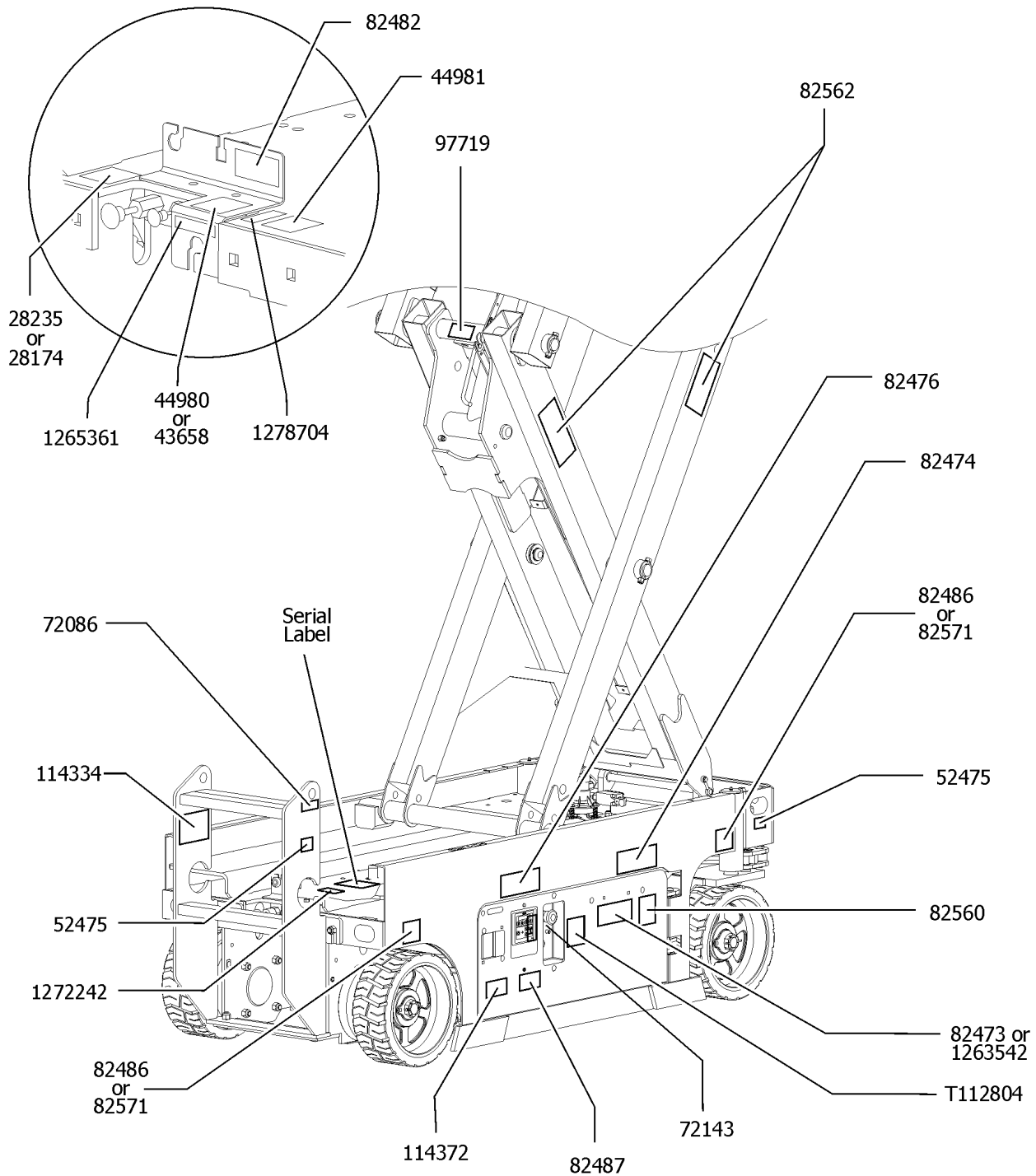


119.1 Decals with Symbols, GS-1930 Battery Side, ANSI & CE

Item	Part No.	Description	Qty.
1	52475GT	DECAL,LABEL,TRANSPORT TIEDOWN*.....	3
2	72086GT	DECAL,LABEL,LIFTING EYE.....	3
3	82474GT	DECAL,SYMBOL-USE SAFETY ARM....	1
4	82476GT	DECAL,SYMBOL-ELEC HAZARD,GS....	1
5	82481GT	DECAL,SYMBOL-BATTERY SAFETY.....	1
6	82486GT	DECAL,LABEL,WHEEL LOAD 1930..... (ANSI models)	2
7	82495GT	DECAL,SYMBOL-BRAKE REL SAFETY.....	1
8	82562GT	DECAL,SYMBOL-CRUSHING HAZARD.....	2
9	82571GT	DECAL,LABEL,WHEEL LOAD 19XX.... (CE models)	2
10	114337GT	DECAL,SYM-TIP-OVER,LIM SWITCH....	1
11	114361GT	DECAL,LABEL-TRANSPORT DIGRAM.....	2
12	114370GT	DECAL-SYM-TIP-OVR,BATTRIES.....	1
13	114372GT	DECAL SYMBOL TIP OVER TRAYS.....	1

120.1 Decals with Symbols, GS-1930 Ground Control Side, ANSI & CE

# Ground Controls Side

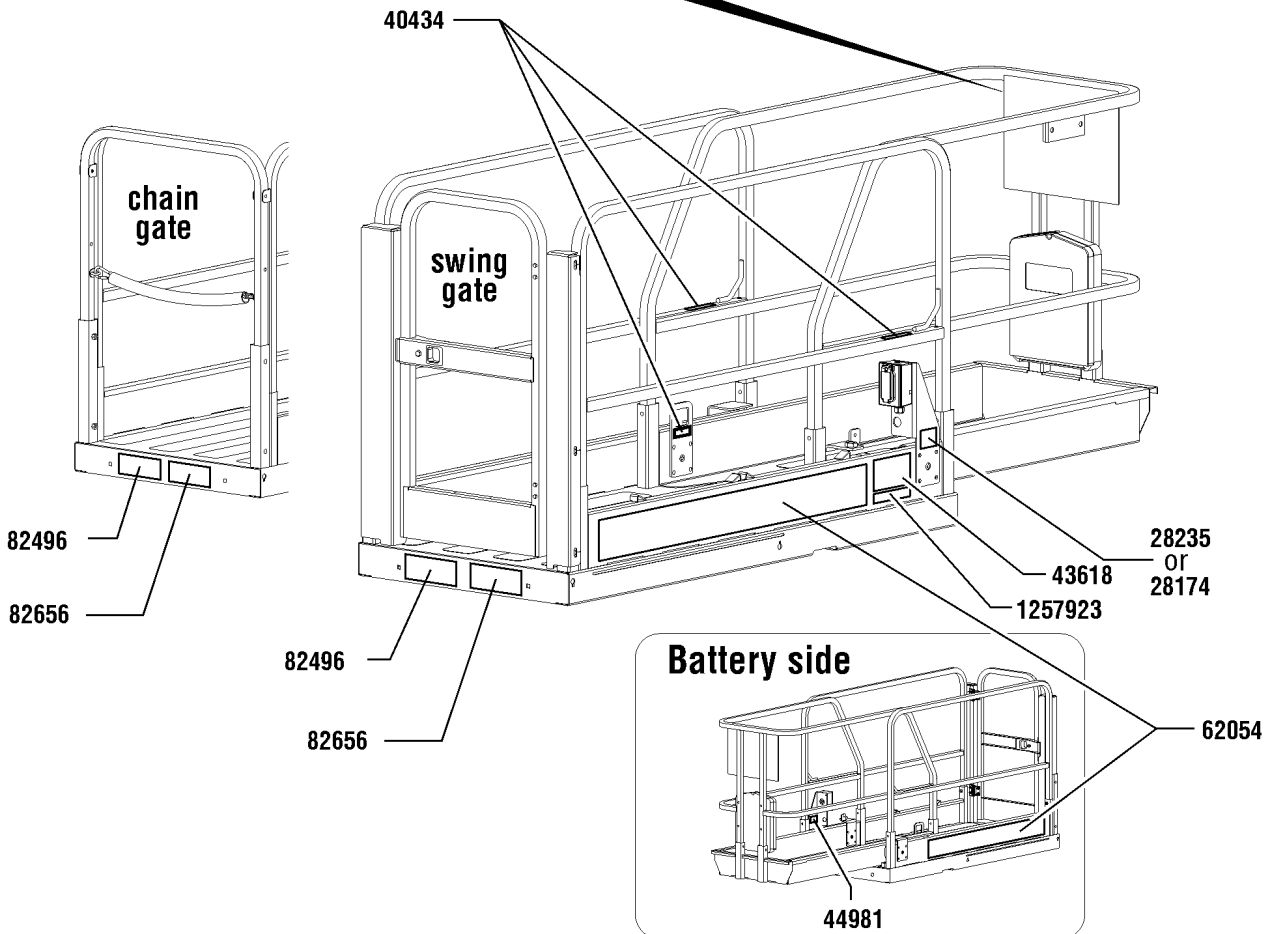
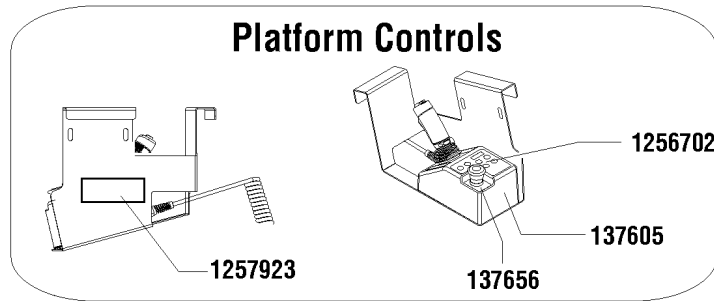
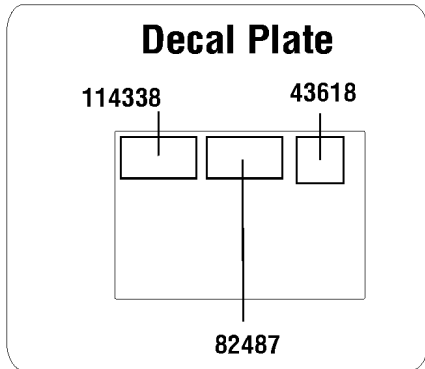


## 120.1 Decals with Symbols, GS-1930 Ground Control Side, ANSI &amp; CE

Item	Part No.	Description	Qty.
1	28174GT	DECAL,POWER TO PLATFORM 230V...1	
2	28235GT	DECAL,POWER TO PLATFORM 115V...1	
3	43658GT	DECAL,LABEL,PWR TO CHARGR 230V.....1	
4	44980GT	DECAL,LABEL,PWR TO CHARGR 115V.....1	
5	44981GT	DECAL,LABEL,AIR LINE 110 PSI.....1	
6	52475GT	DECAL,LABEL,TRANSPORT TIEDOWN*.....2	
7	72086GT	DECAL,LABEL,LIFTING EYE.....1	
8	72143GT	DECAL,EMERGENCY STOP,GR.....1	
9	82473GT	DECAL,SYMBOL-COMP ACCESS.....1 <i>to SN GS30P-163976</i>	
10	82474GT	DECAL,SYMBOL-USE SAFETY ARM....1	
11	82476GT	DECAL,SYMBOL-ELEC HAZARD,GS....1	
12	82482GT	DECAL,LABEL,AUX LOWERING.....1	
13	82486GT	DECAL,LABEL,WHEEL LOAD 1930....2 <i>(ANSI Models)</i>	
14	82487GT	DECAL,SYMBOL-READ THE MANUAL.....1	
15	82560GT	DECAL,SYMBOL-SKIN INJECT HAZRD.....1	
16	82562GT	DECAL,SYMBOL-CRUSHING HAZARD.....2	
17	82571GT	DECAL,LABEL,WHEEL LOAD 19XX....2 <i>(CE Models)</i>	
18	97719GT	DECAL, LABEL, SAFETY ARM SYMB....1	
19	114334GT	DECAL,SYM-ELEC HAZARD,PLUG....1	
20	114372GT	DECAL SYMBOL TIP OVER TRAYS.....1	
21	1263542GT	DECAL, COMPARTMENT ACCESS.....1	
22	1272242GT	DECAL,MACHINE REGISTRATION/OWNER TRANSFER....1 <i>from SN GS30P-163977</i>	
23	T112804GT	DECAL,GCON PANEL,GS.....1	
24	1265361GT	DECAL, BATTERY CHARGER INDICAT.....1 <i>(from SN 158209 to 173672)</i>	
25	1278704GT	DECAL,CHARGE STATUS IND.....1 <i>(from 173673)</i>	

121.1 Decals with Symbols, GS-1930 Platform ANSI

### Platform, ANSI models

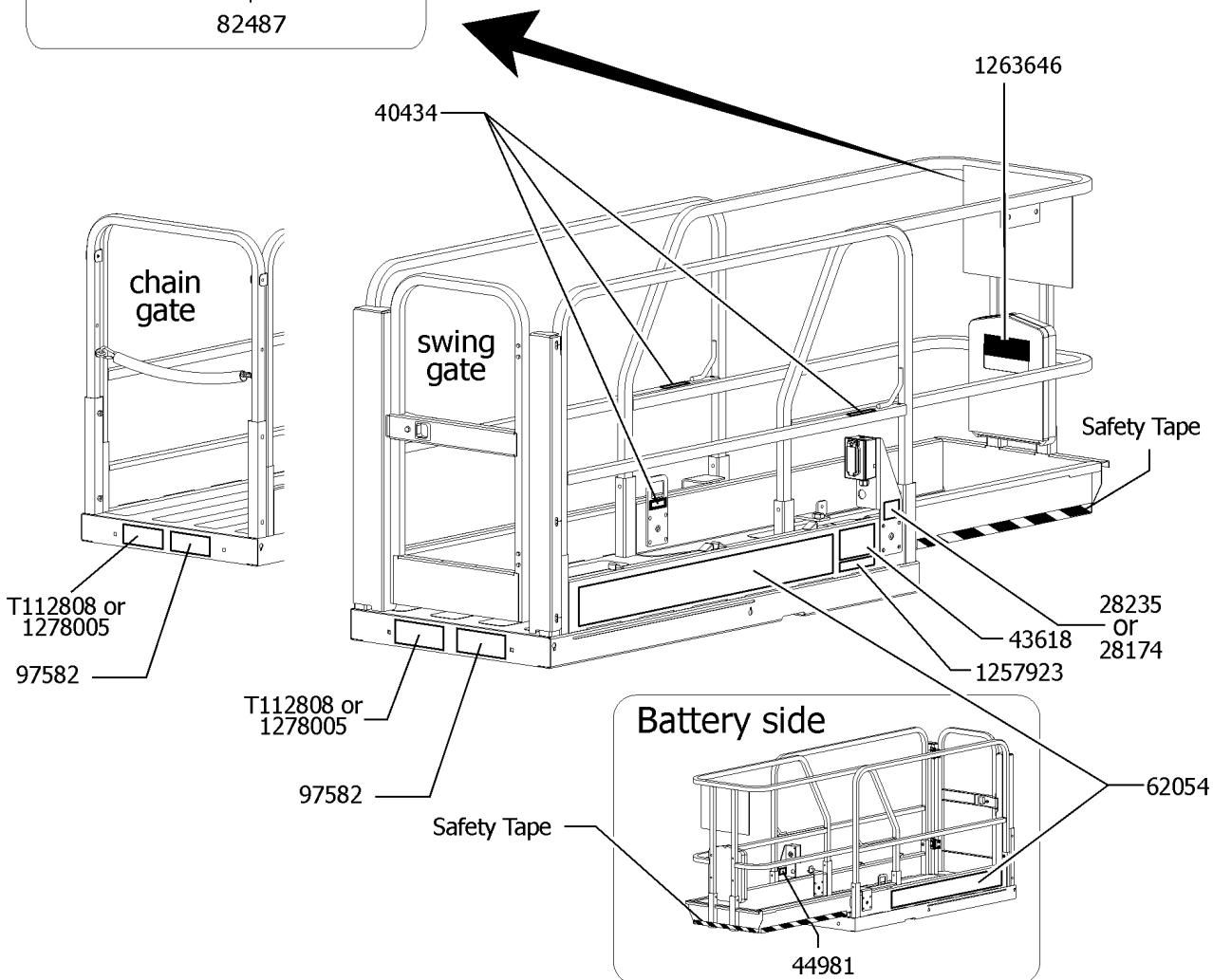
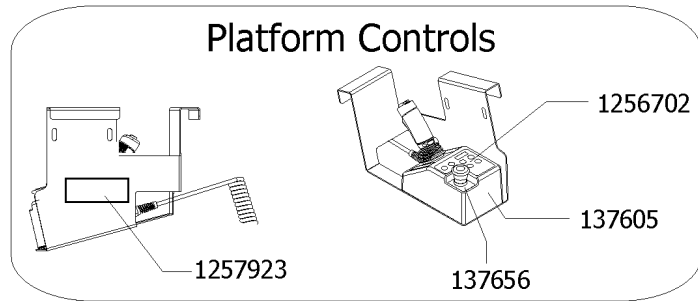
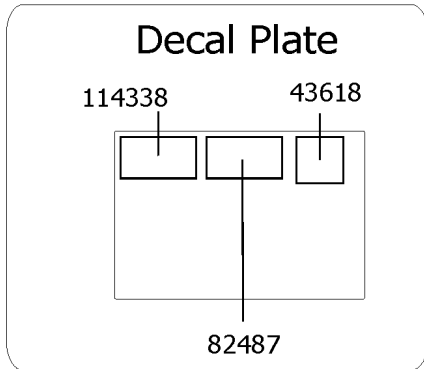


121.1 Decals with Symbols, GS-1930 Platform ANSI

Item	Part No.	Description	Qty.
1	28174GT	DECAL,POWER TO PLATFORM 230V...1	
2	28235GT	DECAL,POWER TO PLATFORM 115V...1	
3	40434GT	DECAL,LANYARD ANCHORAGE POINT.....3	
4	43618GT	DECAL, LABEL - DIRECTION ARROWS.....2	
5	44981GT	DECAL,LABEL,AIR LINE 110 PSI.....1	
6	62054GT	DECAL,COSMETIC,GENIE GS-1930**...2	
7	82487GT	DECAL,SYMBOL-READ THE MANUAL.....1	
8	82496GT	DECAL,SYM-MAXCAP 500.....1	
9	82656GT	DECAL,SYM-SIDE FORCE 445N.....1	
10	114338GT	DECAL,SYM-TIP-OVER,TILT ALARM....1	
11	137605GT	DECAL,E-STOP,GR/GRC/GS PCON....1	
12	137636GT	DECAL, UI, GR/GRC/GS PCON.....1	
13	137656GT	DECAL,PROPEL,GR/GRC/GS,PCON....1	
14	1256702GT	DECAL, UI, GS/GR, PROP LIFT.....1	
15	1257923GT	DECAL, SMARTLINK PROPORTIONAL.....2	

122.1 Decals with Symbols, GS-1930 Platform CE

### Platform, CE models



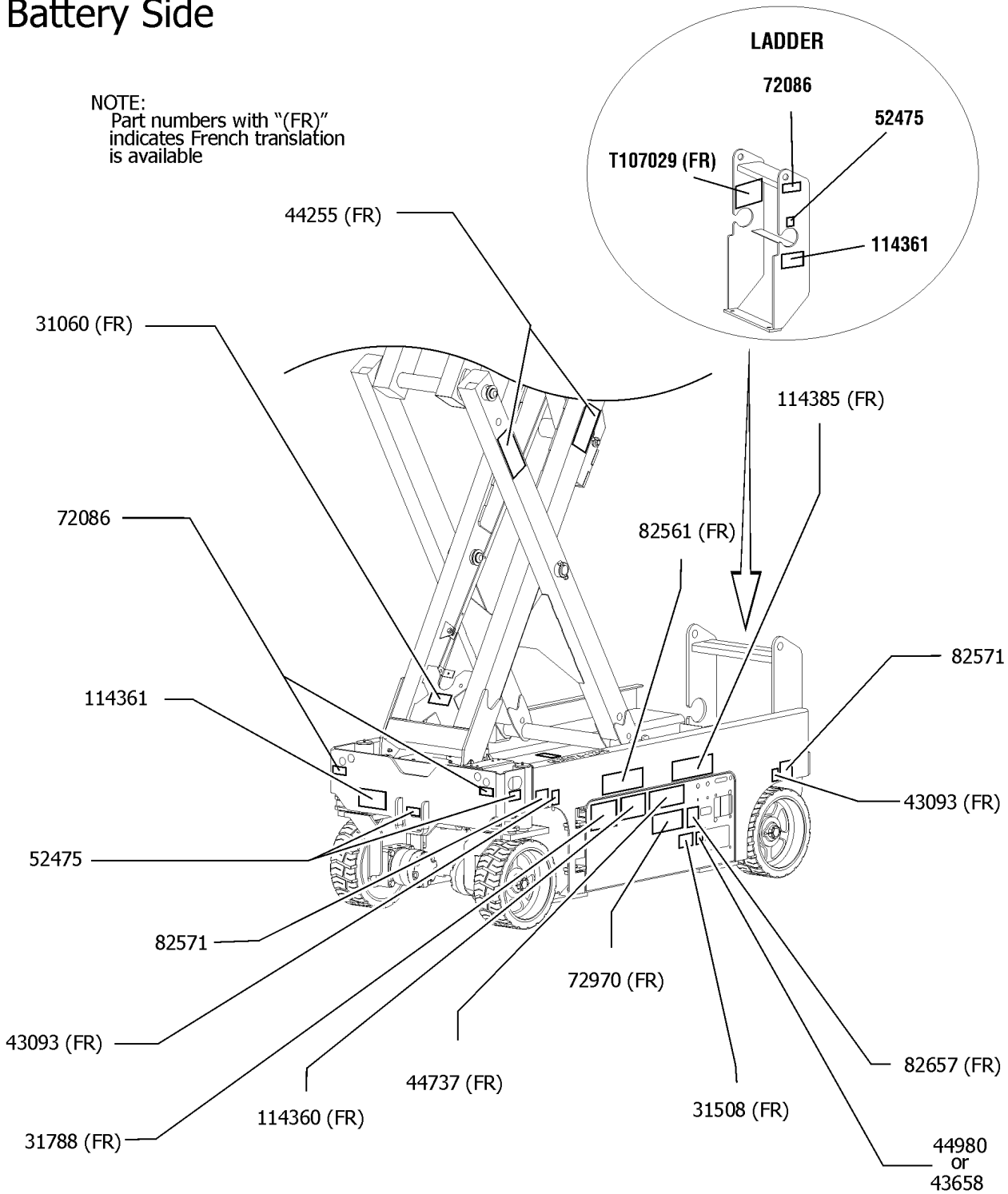
122.1 Decals with Symbols, GS-1930 Platform CE

Item	Part No.	Description	Qty.
1	28174GT	DECAL,POWER TO PLATFORM 230V...1	
2	28235GT	DECAL,POWER TO PLATFORM 115V...1	
3	40434GT	DECAL,LANYARD ANCHORAGE POINT.....3	
4	43618GT	DECAL, LABEL - DIRECTION ARROWS.....2	
5	44981GT	DECAL,LABEL,AIR LINE 110 PSI.....1	
6	62054GT	DECAL,COSMETIC,GENIE GS-1930**...2	
7	82487GT	DECAL,SYMBOL-READ THE MANUAL.....1	
8	97582GT	DECAL,SYM-SIDEFORCE 400N ID.....1	
9	114338GT	DECAL,SYM-TIP-OVER,TILT ALARM.....1	
10	137605GT	DECAL,E-STOP,GR/GRC/GS PCON....1	
11	137656GT	DECAL,PROPEL,GR/GRC/GS,PCON....1	
12	T112808GT	DECAL,SYM MAX CAP 227 KG,CE.....1 <i>to SN GS30P-163976</i>	
13	1256702GT	DECAL, UI, GS/GR, PROP LIFT	
14	1257923GT	DECAL, SMARTLINK PROPORTIONAL.....2	
15	1263646GT	DECAL,QR CODE,PARTS&SERVICE MANUAL.....1	
16	1278005GT	DECAL, SYMBOL, CE, MAXIMUM CAPACITY, 227KG.....1 <i>from SN GS30P-163977</i>	

123.1 Decals with Words, GS-1932 Battery Side, Australia

# Battery Side

NOTE:  
Part numbers with "(FR)"  
indicates French translation  
is available

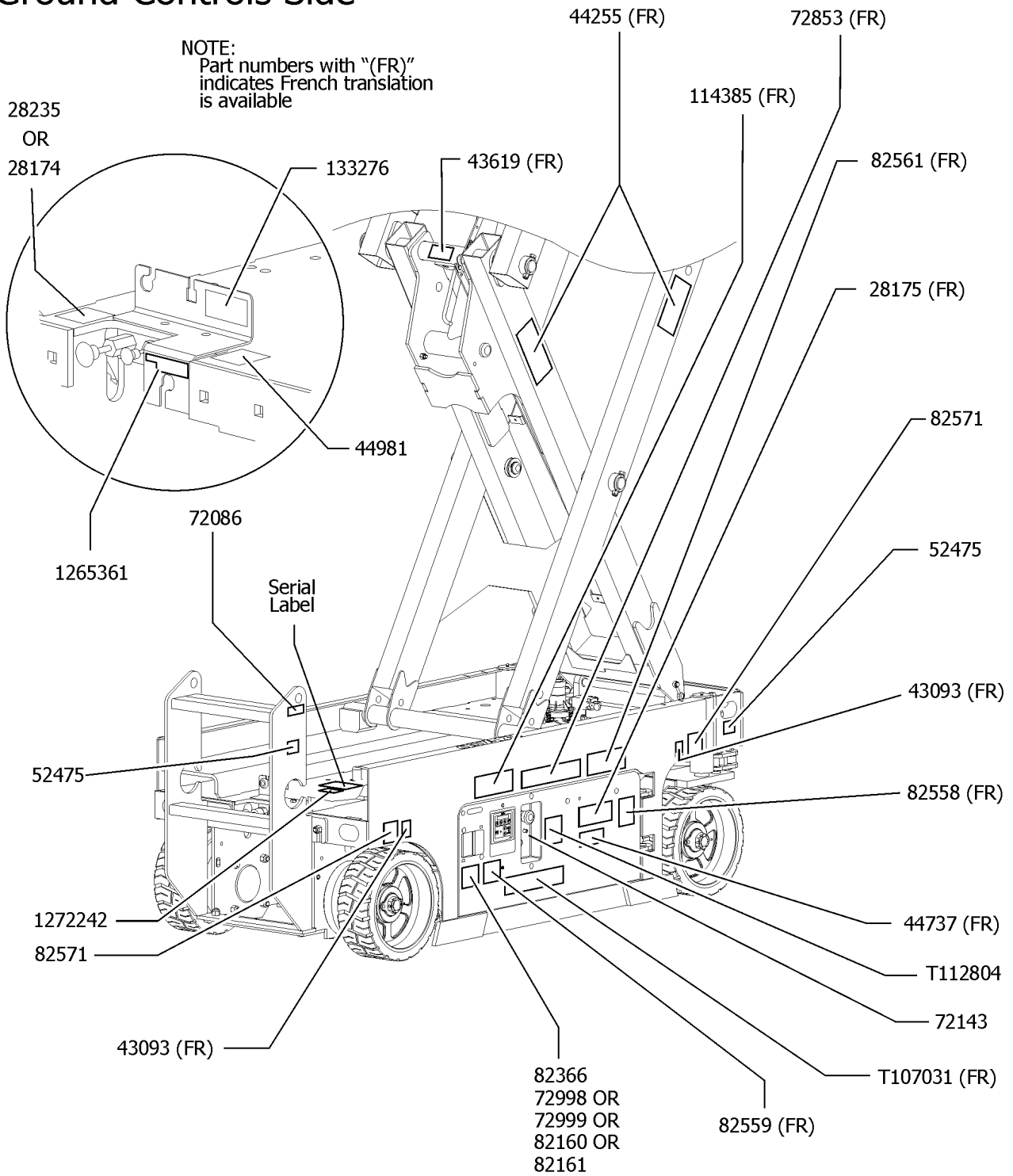


## 123.1 Decals with Words, GS-1932 Battery Side, Australia

Item	Part No.	Description	Qty.
1	44255GT	DECAL,DANGER,CRUSHING HAZARD.....	2
2	31060GT	DECAL,DANGER DO NOT ALTER SWTC.....	1
3	31508GT	DECAL,DANGER,ELECT HAZARD,PLUG..... <i>(Australia models)</i>	1
4	31788GT	DECAL,DANGER,BATTERY SAFETY***.....	1
5	43093GT	DECAL,LABEL,TIRE SPECS.....	2
6	43658GT	DECAL,LABEL,PWR TO CHARGR 230V..... <i>(Australia models)</i>	1
7	44737GT	DECAL DANGER TIP OVER TRAYS.....	1
8	44980GT	DECAL,LABEL,PWR TO CHARGR 115V..... <i>(Australia models)</i>	1
9	52475GT	DECAL,LABEL,TRANSPORT TIEDOWN*.....	3
10	72086GT	DECAL,LABEL,LIFTING EYE.....	3
11	72970GT	DECAL,INSTRUCTIONS-CHARGER OP.....	1
12	82561GT	DECAL,DANGER-USE SAFETY ARM....	1
13	82571GT	DECAL,LABEL,WHEEL LOAD 19XX.... <i>(Australia models)</i>	2
14	82657GT	DECAL,INSTRUCT,BATTERY CONNECT.....	1
15	114360GT	DECAL,DANGER-TIP-OVER,BATT.....	1
16	114361GT	DECAL,LABEL-TRANSPORT DIGRAM.....	2
17	114385GT	DECAL,DANGER,ELEC HAZARD,GS....	1
18	T107029GT	DECAL,DANGER,BRAKE REL SAFETY.....	1

124.1 Decals with Words, GS-1932 Ground Controls Side, Australia

# Ground Controls Side

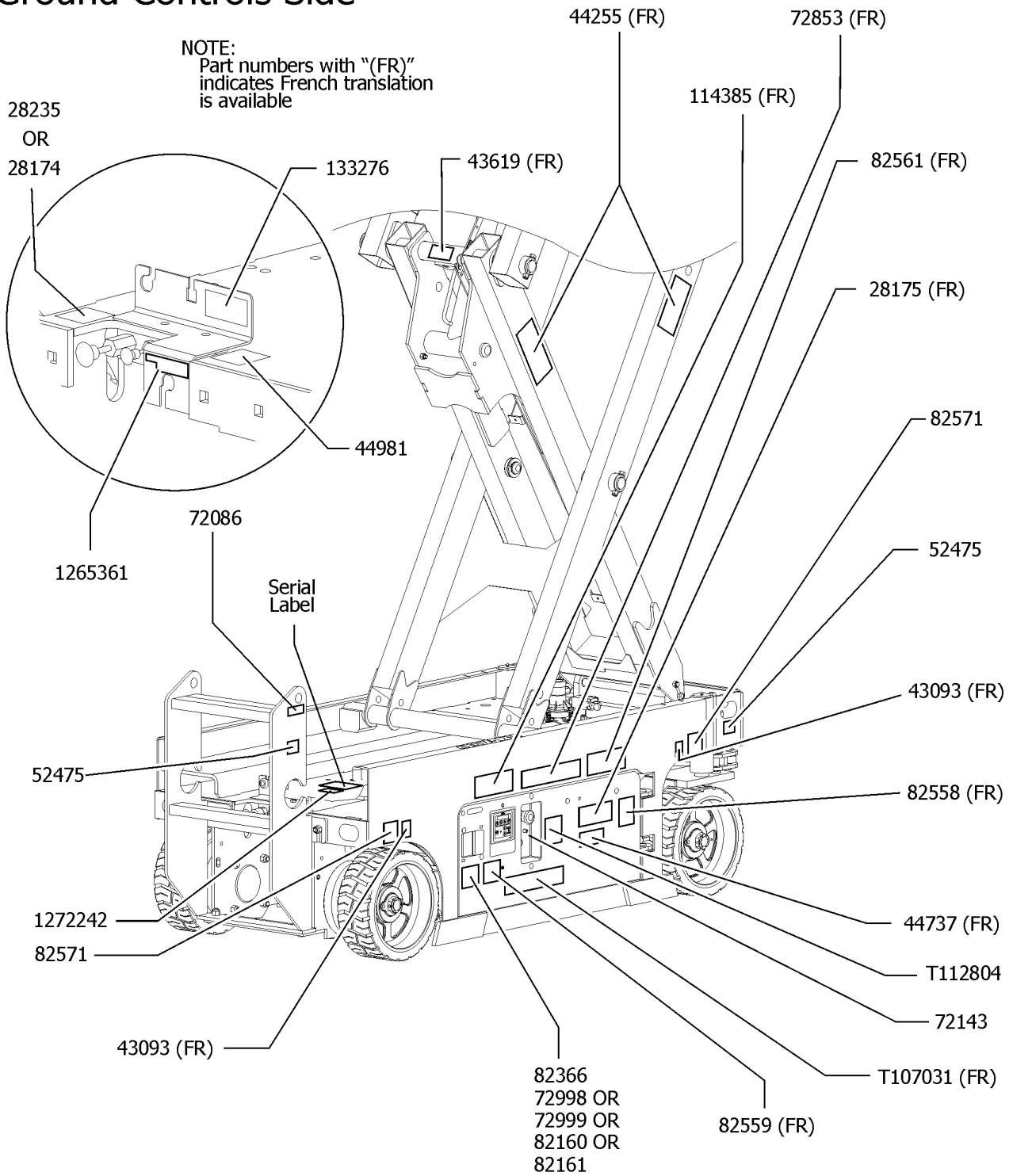


## 124.1 Decals with Words, GS-1932 Ground Controls Side, Australia

Item	Part No.	Description	Qty.
1	28174GT	DECAL,POWER TO PLATFORM 230V...1	
2	28175GT	DECAL,WARNING-COMPART ACCESS.....1	
3	28235GT	DECAL,POWER TO PLATFORM 115V...1	
4	43093GT	DECAL,LABEL,TIRE SPECS.....2	
5	43619GT	DECAL,LABEL,SAFETY ARM.....1	
6	44255GT	DECAL,DANGER,CRUSHING HAZARD.....2	
7	44737GT	DECAL DANGER TIP OVER TRAYS.....1	
8	44981GT	DECAL,LABEL,AIR LINE 110 PSI.....1 (option)	
9	52475GT	DECAL,LABEL,TRANSPORT TIEDOWN* .....2	
10	72086GT	DECAL,LABEL,LIFTING EYE.....1	
11	72143GT	DECAL,EMERGENCY STOP,GR.....1	
12	72853GT	DECAL,DANGER,IMPROPER USE HAZ.....1	
13	72998GT	DECAL,LABEL,QUINTOLUBRIK.....1 (models with Quintolub hydraulic oil)	
14	72999GT	DECAL,LABEL,PETRO CANADA***.....1 (models with Petro Canada hydraulic oil)	
15	82160GT	DECAL,LABEL,STATOIL HYDRA WAY .....1 (models with Statoil hydraulic oil)	
16	82161GT	DECAL,LABEL,UCON HYDROLUBE.....1 (models with UConn Hydrolube hydraulic oil)	
17	82366GT	DECAL, LABEL - CHEVRON RANDO.....1 (models with Chevron Random hydraulic oil)	
18	82558GT	DECAL,WARN,SKIN INJECTION HAZ* .....1	
19	82559GT	DECAL,INSTRUCT-ANNUAL INSP REQ.....1	
20	82561GT	DECAL,DANGER-USE SAFETY ARM....1	
21	82571GT	DECAL,LABEL,WHEEL LOAD 19XX.....2 (Australia models)	
22	114385GT	DECAL,DANGER,ELEC HAZARD,GS.....1	
23	133276GT	DECAL,EMERGENCY LOWERING.....1	
24	1272242GT	DECAL,MACHINE REGISTRATION/OWNER TRANSFER....1	
25	T107031GT	DECAL,OP INST,GCON.....1	
26	T112804GT	DECAL,GCON PANEL,GS.....1	

124.1 Decals with Words, GS-1932 Ground Controls Side, Australia

# Ground Controls Side

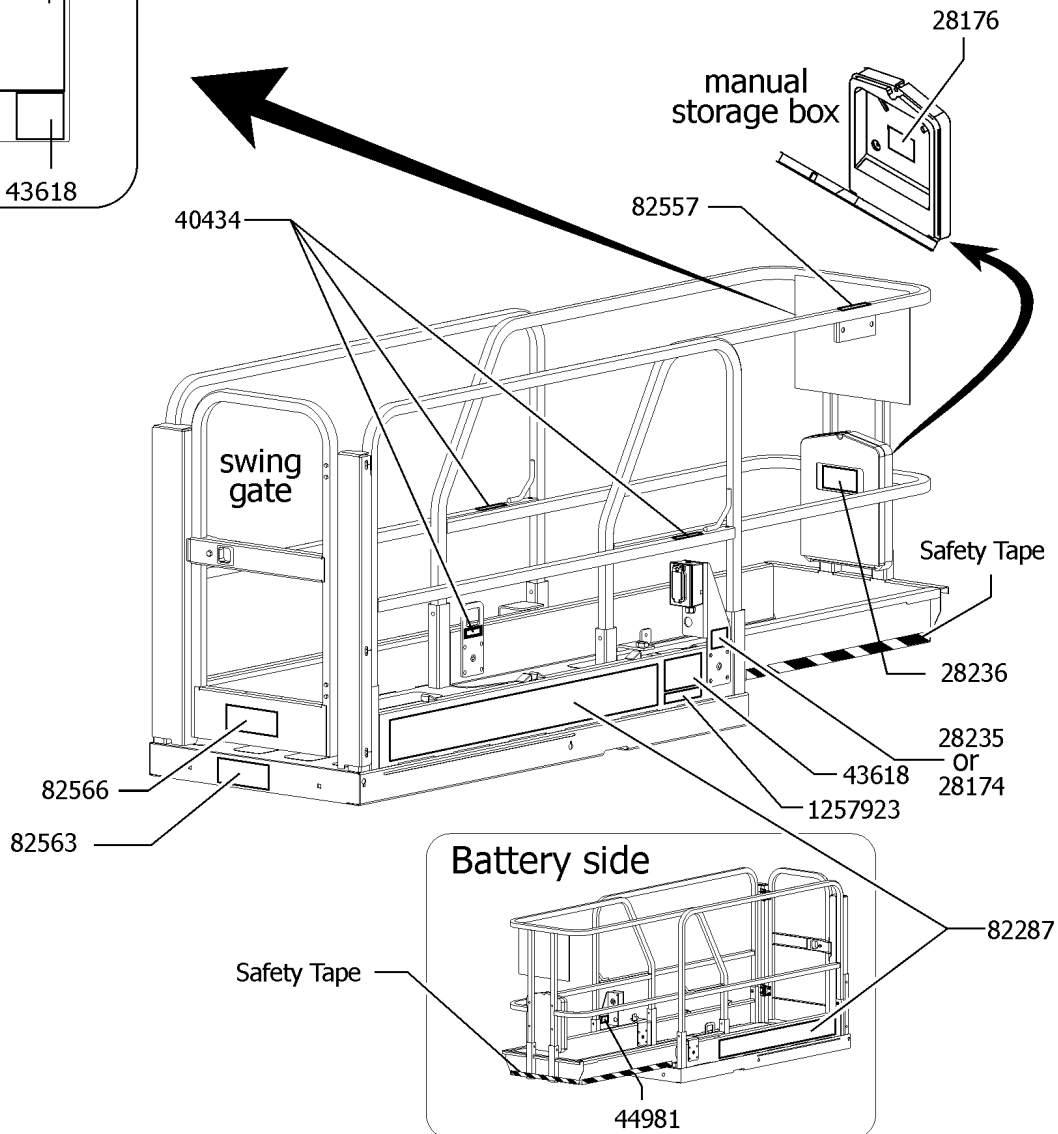
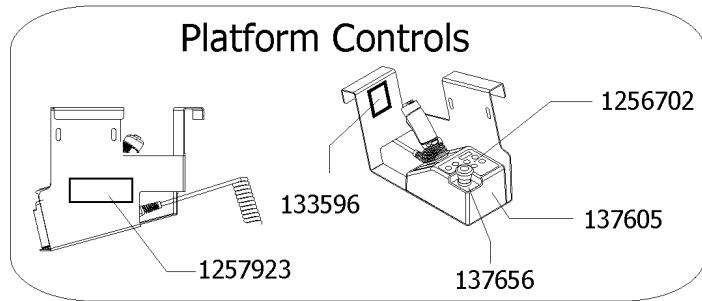
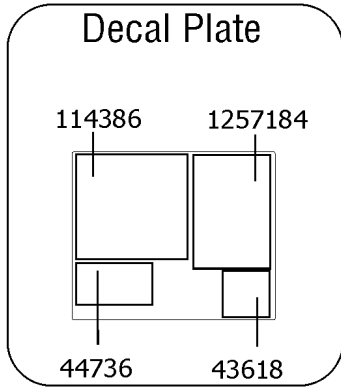


## 124.1 Decals with Words, GS-1932 Ground Controls Side, Australia

Item	Part No.	Description	Qty.
1	28174GT	DECAL,POWER TO PLATFORM 230V...1	
2	28175GT	DECAL,WARNING-COMPART ACCESS.....1	
3	28235GT	DECAL,POWER TO PLATFORM 115V...1	
4	43093GT	DECAL,LABEL,TIRE SPECS.....2	
5	43619GT	DECAL,LABEL,SAFETY ARM.....1	
6	44255GT	DECAL,DANGER,CRUSHING HAZARD.....2	
7	44737GT	DECAL DANGER TIP OVER TRAYS.....1	
8	44981GT	DECAL,LABEL,AIR LINE 110 PSI.....1 (option)	
9	52475GT	DECAL,LABEL,TRANSPORT TIEDOWN* .....2	
10	72086GT	DECAL,LABEL,LIFTING EYE.....1	
11	72143GT	DECAL,EMERGENCY STOP,GR.....1	
12	72853GT	DECAL,DANGER,IMPROPER USE HAZ.....1	
13	72998GT	DECAL,LABEL,QUINTOLUBRIK.....1 (models with Quintolub hydraulic oil)	
14	72999GT	DECAL,LABEL,PETRO CANADA***.....1 (models with Petro Canada hydraulic oil)	
15	82160GT	DECAL,LABEL,STATOIL HYDRA WAY .....1 (models with Statoil hydraulic oil)	
16	82161GT	DECAL,LABEL,UCON HYDROLUBE.....1 (models with UConn Hydrolube hydraulic oil)	
17	82366GT	DECAL, LABEL - CHEVRON RANDO.....1 (models with Chevron Random hydraulic oil)	
18	82558GT	DECAL,WARN,SKIN INJECTION HAZ* .....1	
19	82559GT	DECAL,INSTRUCT-ANNUAL INSP REQ.....1	
20	82561GT	DECAL,DANGER-USE SAFETY ARM....1	
21	82571GT	DECAL,LABEL,WHEEL LOAD 19XX.....2 (Australia models)	
22	114385GT	DECAL,DANGER,ELEC HAZARD,GS.....1	
23	133276GT	DECAL,EMERGENCY LOWERING.....1	
24	1272242GT	DECAL,MACHINE REGISTRATION/OWNER TRANSFER....1	
25	T107031GT	DECAL,OP INST,GCON.....1	
26	T112804GT	DECAL,GCON PANEL,GS.....1	
27	1265361GT	DECAL, BATTERY CHARGER INDICAT.....1	

125.1 Decals with Words, GS-1932 Platform, Australia

# Platform, Australia Models

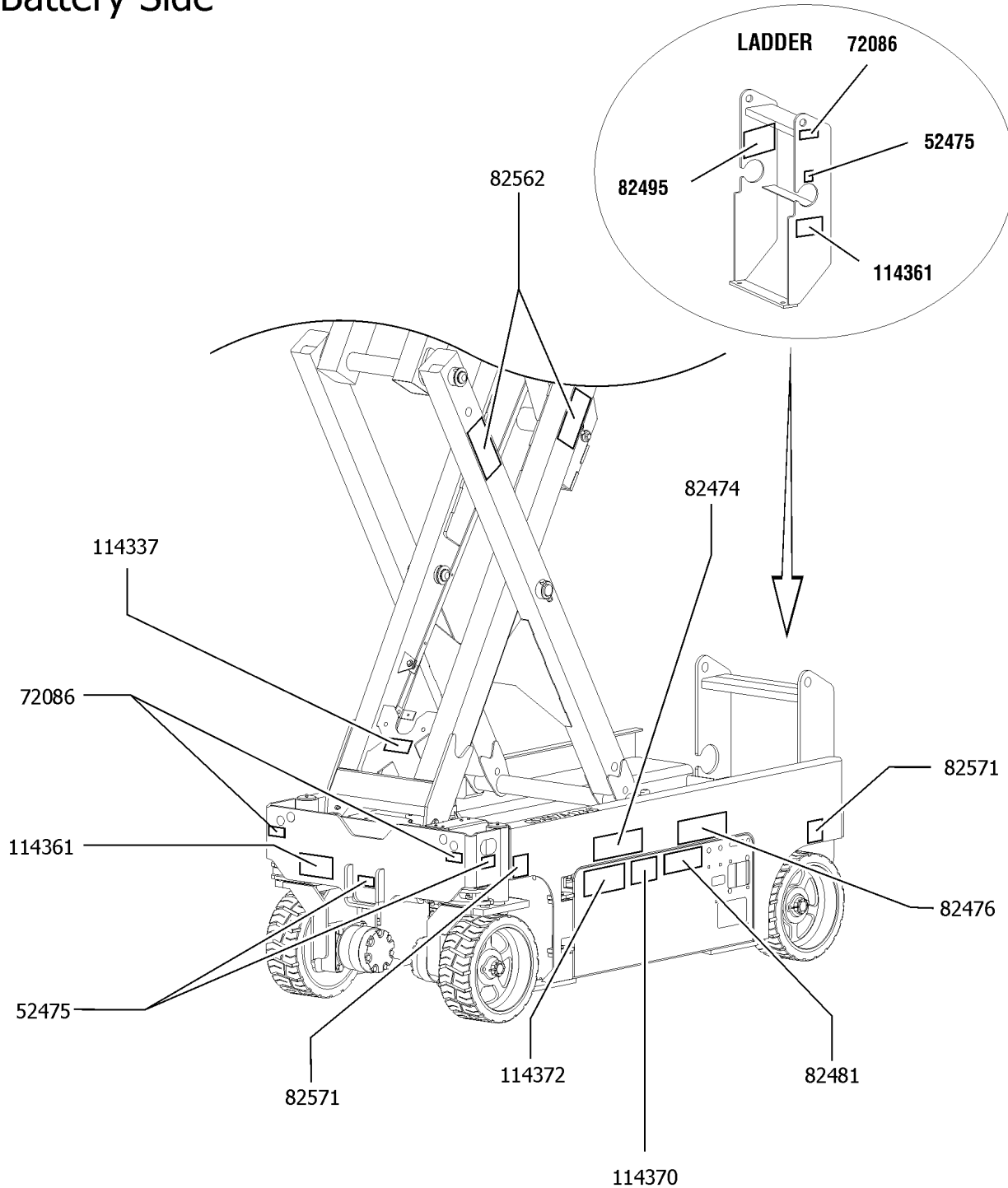


## 125.1 Decals with Words, GS-1932 Platform, Australia

Item	Part No.	Description	Qty.
1	28174GT	DECAL,POWER TO PLATFORM 230V...1	
2	28176GT	DECAL,LABEL,MANUAL NOT HERE....1	
3	28235GT	DECAL,POWER TO PLATFORM 115V...1	
4	28236GT	DECAL,WARN,IMPROPER OPERATION.....1	
5	40434GT	DECAL,LANYARD ANCHORAGE POINT.....3	
6	43618GT	DECAL, LABEL - DIRECTION ARROWS.....2	
7	44736GT	DECAL,DANGER,TIP-OVER,TILT.....1	
8	44981GT	DECAL,LABEL,AIR LINE 110 PSI.....1	
9	82287GT	DECAL,COSMETIC,GENIE GS-1932....2	
10	82557GT	DECAL,LABEL,PLAT CONT LOCATION.....1	
11	82566GT	DECAL,INSTR-MANUAL FRC,AUS.....1	
12	114386GT	DECAL,DANGER-GEN SAFETY.....1	
13	133596GT	DECAL,LABEL,FAULT CODES.....1	
14	137605GT	DECAL,E-STOP,GR/GRC/GS PCON....1	
16	137656GT	DECAL,PROPEL,GR/GRC/GS,PCON....1	
18	82563GT	DECAL,INSTR-MAX CAP 500 LBS.....1	
19	1256702GT	DECAL, UI, GS/GR, PROP LIFT.....1	
20	1256703GT	DECAL, STD, PROP LIFT, UI, SVC.....1	
21	1257184GT	DECAL, OP INST, PLAT, GS30, AUS....1	
22	1257923GT	DECAL, SMARTLINK PROPORTIONAL.....2	

126.1 Decals with Symbols, GS-1932 Battery Side, CE

# Battery Side

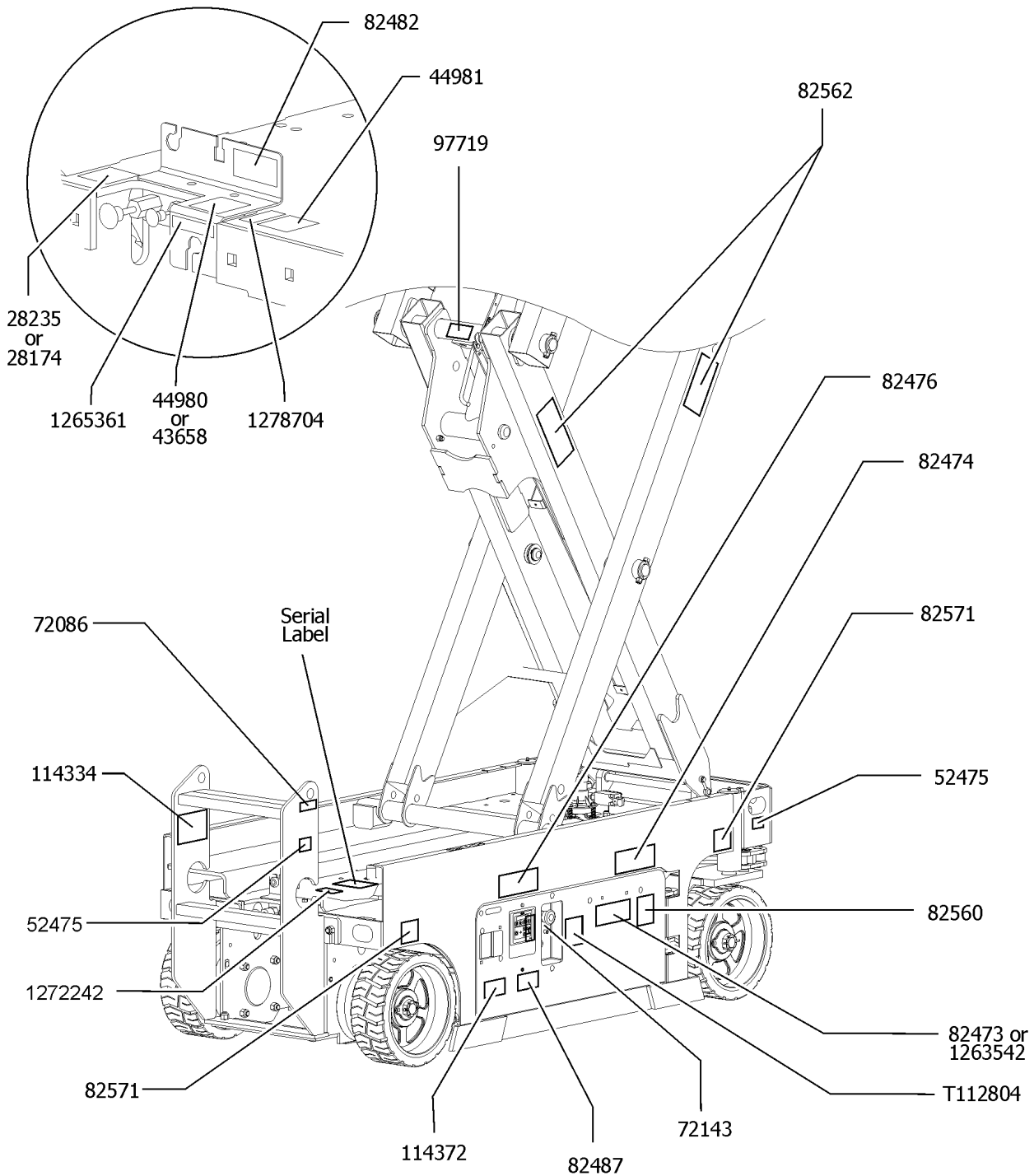


126.1 Decals with Symbols, GS-1932 Battery Side, CE

Item	Part No.	Description	Qty.
1	52475GT	DECAL,LABEL,TRANSPORT TIEDOWN*.....	3
2	72086GT	DECAL,LABEL,LIFTING EYE.....	3
3	82474GT	DECAL,SYMBOL-USE SAFETY ARM....	1
4	82476GT	DECAL,SYMBOL-ELEC HAZARD,GS....	1
5	82481GT	DECAL,SYMBOL-BATTERY SAFETY.....	1
6	82495GT	DECAL,SYMBOL-BRAKE REL SAFETY.....	1
7	82562GT	DECAL,SYMBOL-CRUSHING HAZARD.....	2
8	82571GT	DECAL,LABEL,WHEEL LOAD 19XX.... (CE models)	2
9	114337GT	DECAL,SYM-TIP-OVER,LIM SWITCH....	1
10	114361GT	DECAL,LABEL-TRANSPORT DIGRAM.....	1
11	114370GT	DECAL-SYM-TIP-OVR,BATTRIES.....	1
12	114372GT	DECAL SYMBOL TIP OVER TRAYS.....	1

127.1 Decals with Symbols, GS-1932 Ground Control Side, CE

# Ground Controls Side

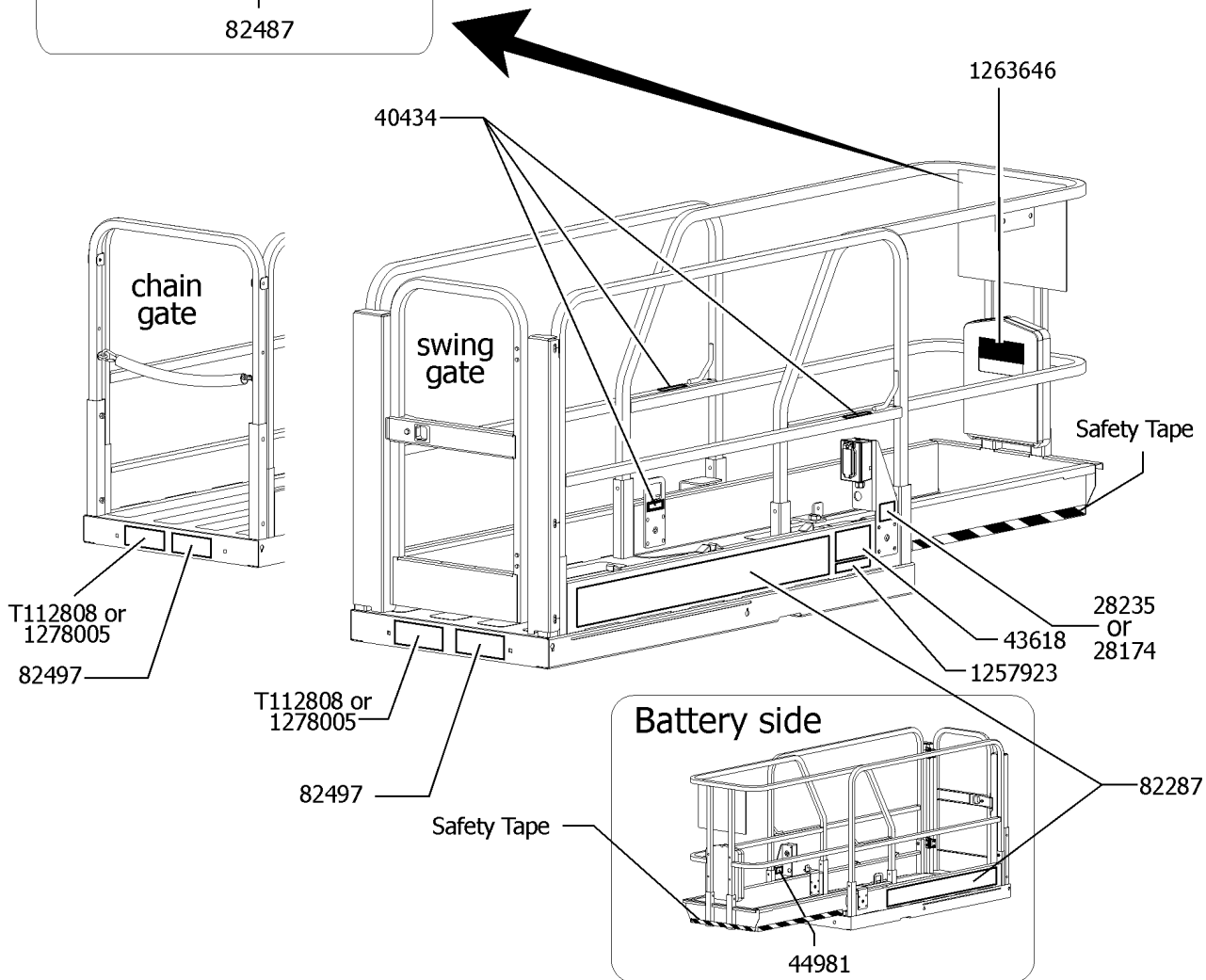
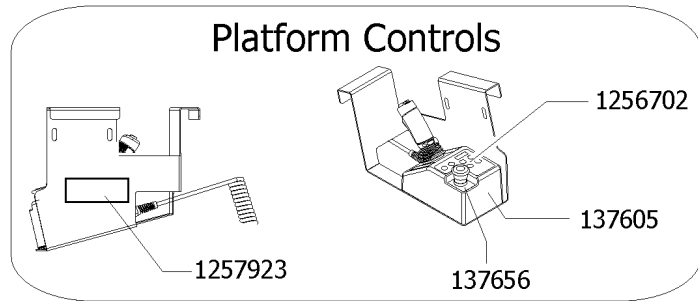
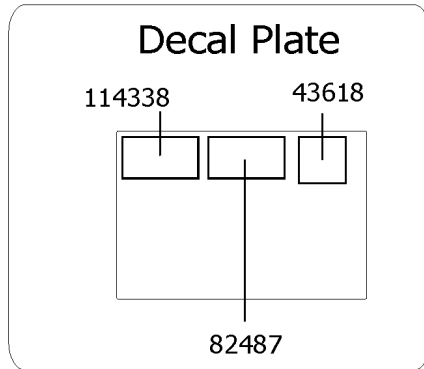


## 127.1 Decals with Symbols, GS-1932 Ground Control Side, CE

Item	Part No.	Description	Qty.
1	28174GT	DECAL,POWER TO PLATFORM 230V...1	
2	28235GT	DECAL,POWER TO PLATFORM 115V...1	
3	43658GT	DECAL,LABEL,PWR TO CHARGR 230V.....1	
4	44980GT	DECAL,LABEL,PWR TO CHARGR 115V.....1	
5	44981GT	DECAL,LABEL,AIR LINE 110 PSI.....1	
6	52475GT	DECAL,LABEL,TRANSPORT TIEDOWN*.....2	
7	72086GT	DECAL,LABEL,LIFTING EYE.....1	
8	72143GT	DECAL,EMERGENCY STOP,GR.....1	
9	82473GT	DECAL,SYMBOL-COMP ACCESS.....1 <i>to SN GS30P-163976</i>	
10	82474GT	DECAL,SYMBOL-USE SAFETY ARM....1	
11	82476GT	DECAL,SYMBOL-ELEC HAZARD,GS....1	
12	82482GT	DECAL,LABEL,AUX LOWERING.....1	
13	82487GT	DECAL,SYMBOL-READ THE MANUAL.....1	
14	82560GT	DECAL,SYMBOL-SKIN INJECT HAZRD.....1	
15	82562GT	DECAL,SYMBOL-CRUSHING HAZARD.....2	
16	82571GT	DECAL,LABEL,WHEEL LOAD 19XX....2 <i>(CE models)</i>	
17	97719GT	DECAL, LABEL, SAFETY ARM SYMB....1	
18	114334GT	DECAL,SYM-ELEC HAZARD,PLUG.....1	
19	114372GT	DECAL SYMBOL TIP OVER TRAYS.....1	
20	1263542GT	DECAL, COMPARTMENT ACCESS.....1 <i>from SN GS30P-163977</i>	
20	T112804GT	DECAL,GCON PANEL,GS.....1	
21	1272242GT	DECAL,MACHINE REGISTRATION/OWNER TRANSFER....1	
24	1265361GT	DECAL, BATTERY CHARGER INDICAT.....1 <i>(from SN 158209 to 173672)</i>	
25	1278704GT	DECAL,CHARGE STATUS IND.....1 <i>(from 173673)</i>	

128.1 Decals with Symbols, GS-1932 Platform CE

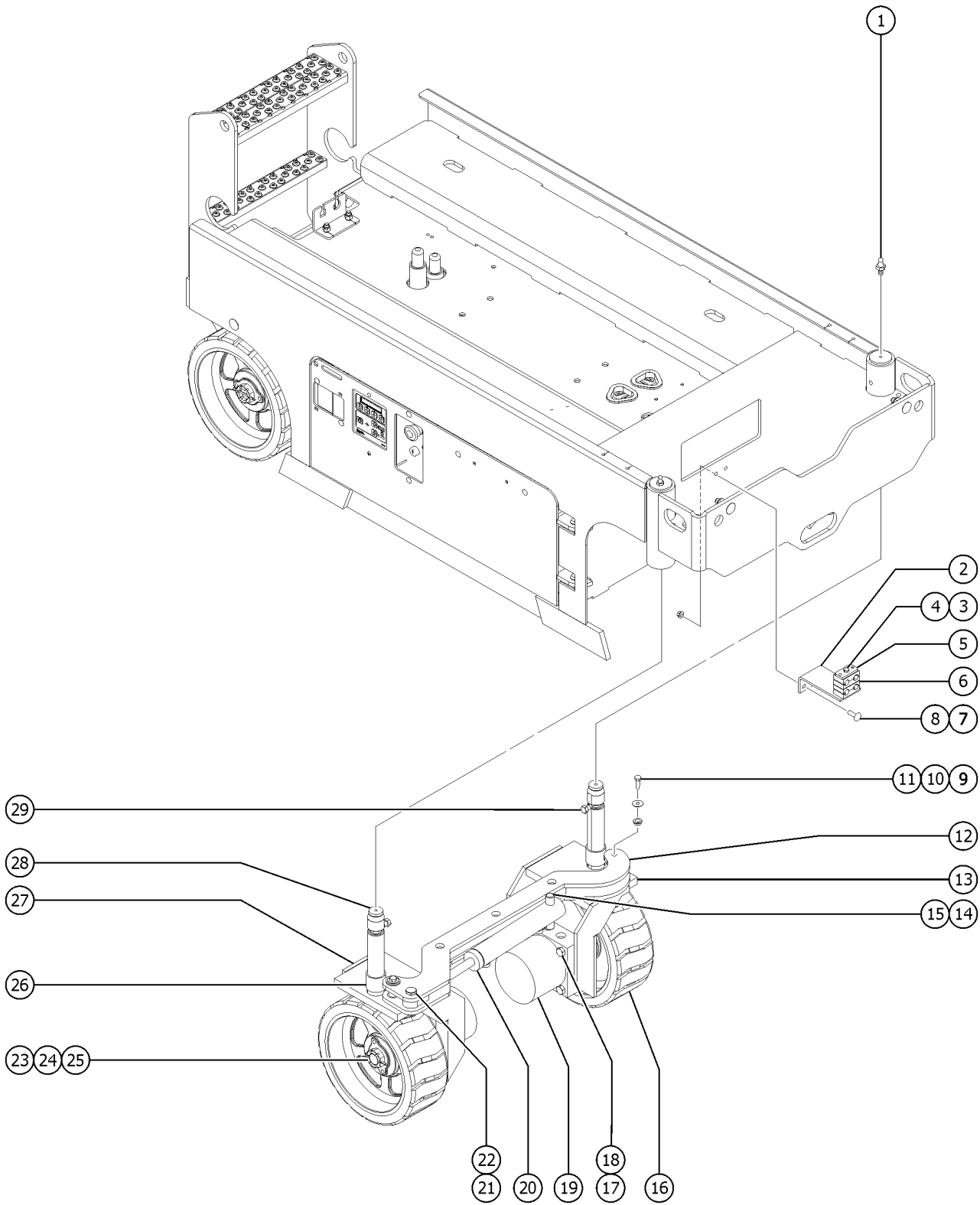
### Platform, CE models



128.1 Decals with Symbols, GS-1932 Platform CE

Item	Part No.	Description	Qty.
1	28174GT	DECAL,POWER TO PLATFORM 230V...1	
2	28235GT	DECAL,POWER TO PLATFORM 115V...1	
3	40434GT	DECAL,LANYARD ANCHORAGE POINT.....3	
4	43618GT	DECAL, LABEL - DIRECTION ARROWS.....2	
5	44981GT	DECAL,LABEL,AIR LINE 110 PSI.....1	
6	82287GT	DECAL,COSMETIC,GENIE GS-1932....2	
7	82487GT	DECAL,SYMBOL-READ THE MANUAL.....1	
8	82497GT	DECAL,SYM-SIDEFORCE 200400.....1	
9	114338GT	DECAL,SYM-TIP-OVER,TILT ALARM....1	
10	137605GT	DECAL,E-STOP,GR/GRC/GS PCON....1	
11	137656GT	DECAL,PROPEL,GR/GRC/GS,PCON....1	
12	T112808GT	DECAL,SYM MAX CAP 227 KG,CE.....1 <i>to SN GS30P-163976</i>	
13	1256702GT	DECAL, UI, GS/GR, PROP LIFT.....1	
14	1257923GT	DECAL, SMARTLINK PROPORTIONAL.....2	
15	1263646GT	DECAL,QR CODE,PARTS&SERVICE MANUAL.....1	
16	1278005GT	DECAL, SYMBOL, CE, MAXIMUM CAPACITY, 227KG.....1 <i>from SN GS30P-163977</i>	

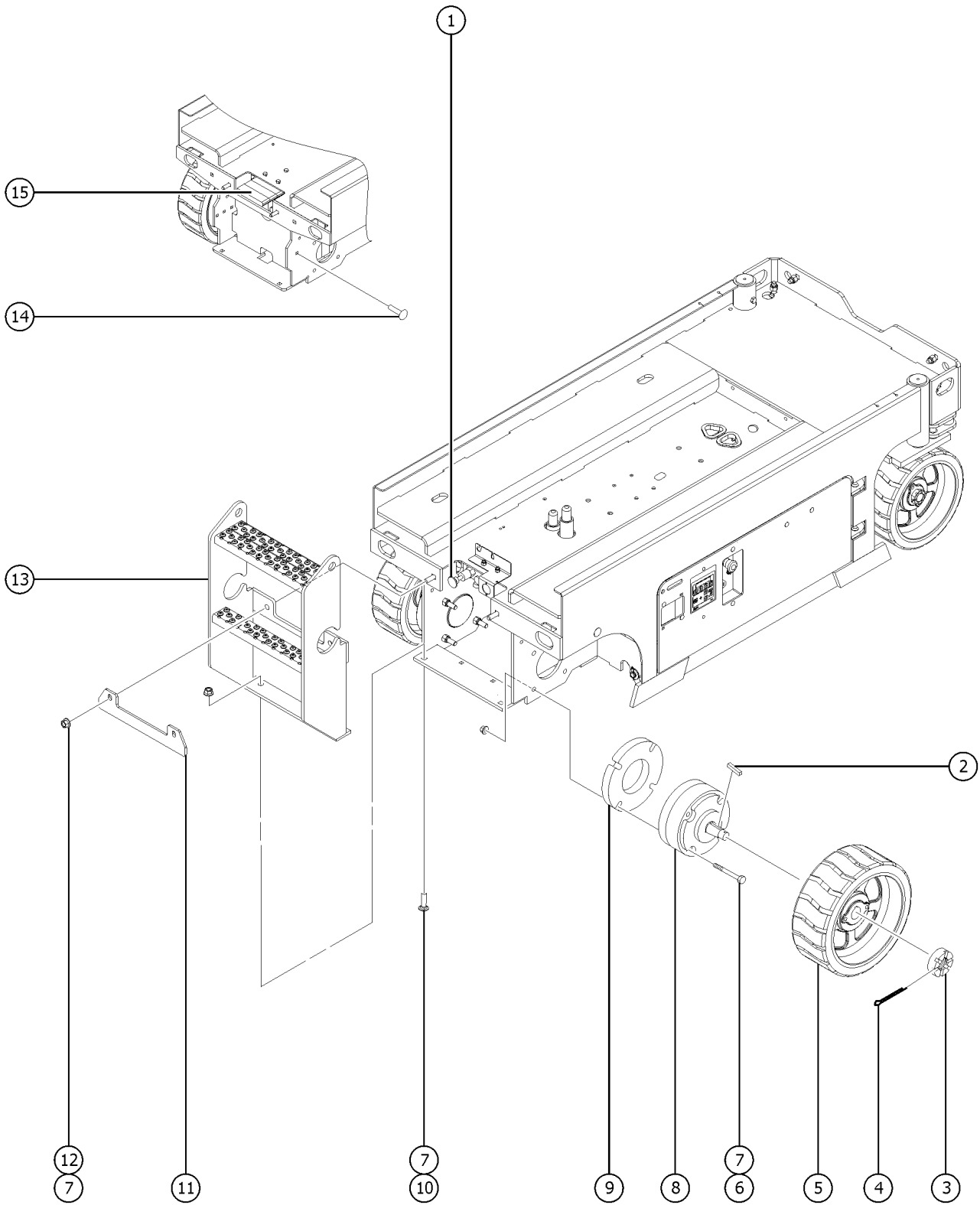
201.1 Steer Linkage and Wheels



## 201.1 Steer Linkage and Wheels

Item	Part No.	Description	Qty.
1	66770GT	FITTING,STRAIGHT DRIVE-IN ZERK....2	
2	105051GT	FORMING,HOSE CLAMP SUPPORT....1	
3	1256123GT	SCREW,HHC,1/4-20X3.25,8,ZAG.....1	
4	824027GT	NUT,TL FLG,1/4-20,G,ZAG.....1	
5	58592GT	PLATE,HOSE ROUTG,BULKHEAD(PTD).....1	
6	78736GT	CLAMP,2 HOSE,PLASTIC,5/8.....4	
7	1255757GT	BOLT,CARRIAGE,3/8-16X1.25,5,ZAG....2	
8	824029GT	NUT,TL FLG,3/8-16,G,ZAG.....2	
9	1256109GT	SCREW,HHC,3/8-16X.75,8,ZAG.....4	
10	1255758GT	WASHER,FLAT,3/8,USS,ZAG.....4	
11	47548GT	BEARING,FL,0.75ID X 1 OD X .49.....4	
12	84571GT	TIE ROD ASSEMBLY.....1	
--	47548GT	BEARING,FL,0.75ID X 1 OD X .49.....4	
--	96074GT	WELDMENT, TIE ROD, GS30.....1 <i>(bearings not included)</i>	
13A	96068GT	WELDMENT, STR YOKE, 30 MINI LT....1 <i>GS-1530, GS-1930 (battery side)</i>	
13B	96066GT	WELDMENT, STR YOKE, 32 MINI LT....1 <i>GS-1532, GS-1932 (battery side)</i>	
14	1259195GT	PIN,CLEVIS,3/4X3.25,ZAG.....1	
15	824128GT	RUE RING,3/4,ZAG.....1	
16	105122GT	WHEEL & TIRE ASSY,LP,12***** .....2	
17	1256287GT	SCREW,HHC,1/2-13X3.5,8,ZAG	
18	1251997GT	NUT,TL FLG,1/2-13,G,ZAG	
19		Ref. Drive Motor <i>(refer to 501.1)</i>	
20		Ref. Steer Cylinder <i>(refer to 501.1)</i>	
21	1259193GT	PIN,CLEVIS,3/4X2,ZAG.....1	
22	1259194GT	CLIP,HAIR PIN,.125X2,.5-.75,ZA.....1	
23	44780GT	NUT,CASTLE,1.125-18 UNEF.....2	
24	44781GT	KEY,RECTANGULAR,.31X.28X1.25** .....2	
25	42079GT	PIN,COTTER,.156 X 2.5.....2	
26	119619GT	BEARING,1.5IDX1.75ODX1.5L,PTFE....2	
27A	96069GT	WELDMENT, STR YOKE, 30 MINI RT....1 <i>GS-1530, GS-1930 (ground control side)</i>	
27B	96067GT	WELDMENT, STR YOKE, 32 MINI RT....1 <i>GS-1532, GS-1932 (ground control side)</i>	
28	105565GT	WASHER,THRUST, GS.....2	

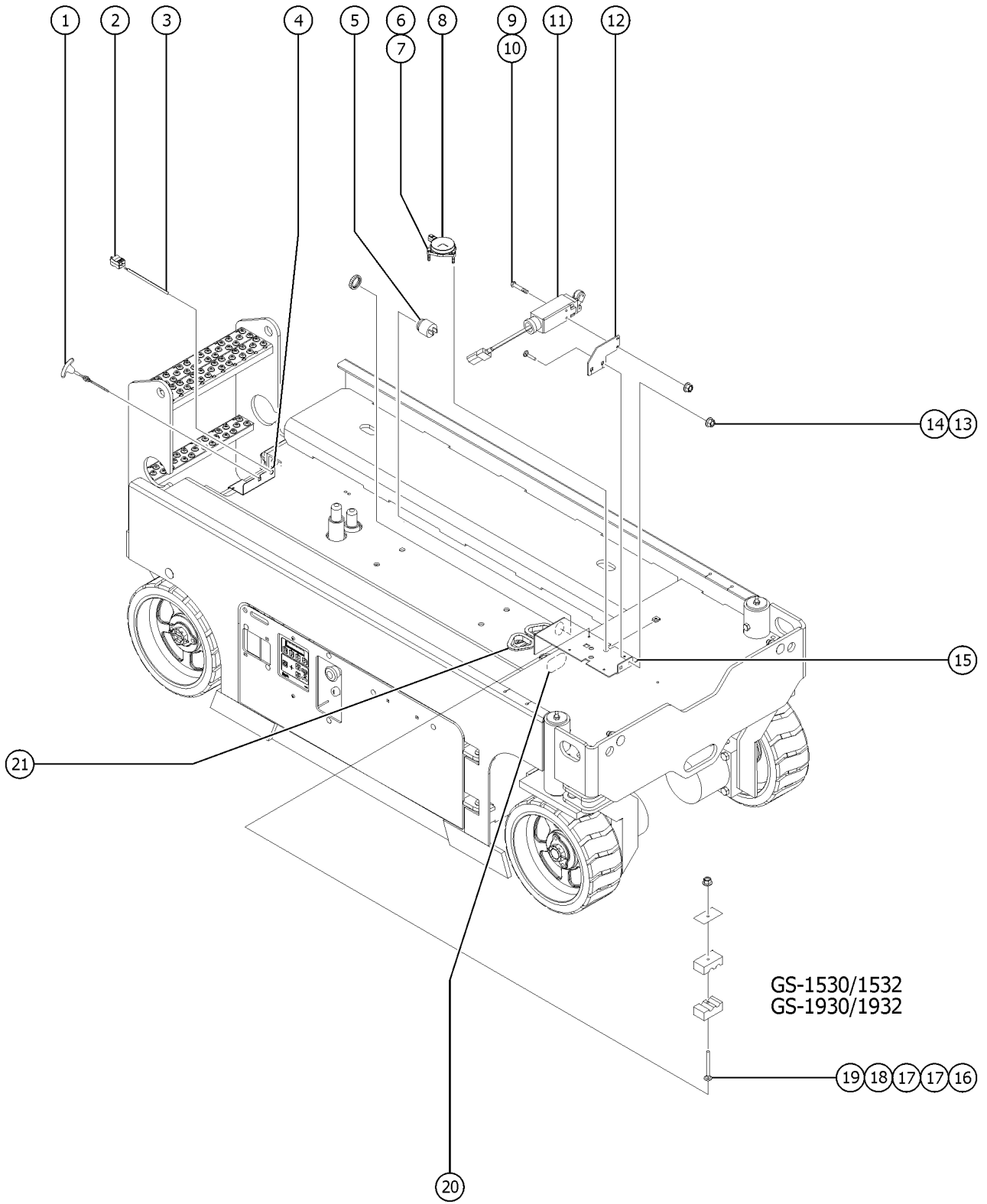
202.1 Non-steer Axle Installation, All Models



## 202.1 Non-steer Axle Installation, All Models

Item	Part No.	Description	Qty.
1		Ref. BRAKE RELEASE MANIFOLD (refer to 504.1)	
2	44781GT	KEY,RECTANGULAR,.31X.28X1.25**.....2	
3	44780GT	NUT,CASTLE,1.125-18 UNEF.....2	
4	42079GT	PIN,COTTER,.156 X 2.5.....2	
5		Ref. TIRE AND WHEEL ASSEMBLY (refer to 201.1)	
6A	1256287GT	SCREW,HHC,1/2-13X3.5,8,ZAG.....4 GS-1530 & GS-1930 models only	
6B	1257102GT	SCREW,HHC,1/2-13X5,8,ZAG.....4 GS-1532 & GS-1932 models only	
7	1251997GT	NUT,TL FLG,1/2-13,G,ZAG.....8	
8		Ref. HYDRAULIC BRAKE (refer to 501.1)	
9	78680GT	PLATE,BRAKE SPACER.....2 GS-1532 & GS-1932 models only	
10	1256179GT	BOLT,CARRIAGE,1/2-13X1.5,5,ZAG.....2	
11	1258393GT	PLATE, COUNTERWEIGHT LOCK.....1 GS-1930 & GS-1932 CE and Australia	
12	1255759GT	BOLT,CARRIAGE,1/2-13X2,5,ZAG.....2	
13A	144375GT	LADDER ASSY,GS30,WORD,ENG.....1 (USA, Canada and Australia)	
--	96102GT	WELDMENT,MINI LADDER (decals not included, refer to section one)	
13B	144379GT	LADDER ASSY,GS30,SYM.....1 (Europe, Asia and South America)	
--	96102GT	WELDMENT,MINI LADDER (decals not included, refer to section one)	
14A	1255757GT	BOLT,CARRIAGE,3/8-16X1.25,5,ZAG.....2 GS-1530 & GS-1532 CE and Australia Indoor	
--	824029GT	NUT,TL FLG,3/8-16,G,ZAG GS-1530 & GS-1532 CE and Australia Indoor	
14B	1259191GT	SCREW,BHC,3/8-16X1.75,F835,ZAG.....2 GS-1530 & GS-1532 CE and Australia Indoor	
15A	96465GT	WELDMENT, 1532 COUNTERWT, CE....1 GS-1530 & GS-1532 CE and Australia Indoor	
15B	96466GT	COUNTERWEIGHT,CAST,CE,1930/32...1 GS-1930 & GS-1932 CE and Australia Indoor	

203.1 Level Sensor Installation, All Models



## 203.1 Level Sensor Installation, All Models

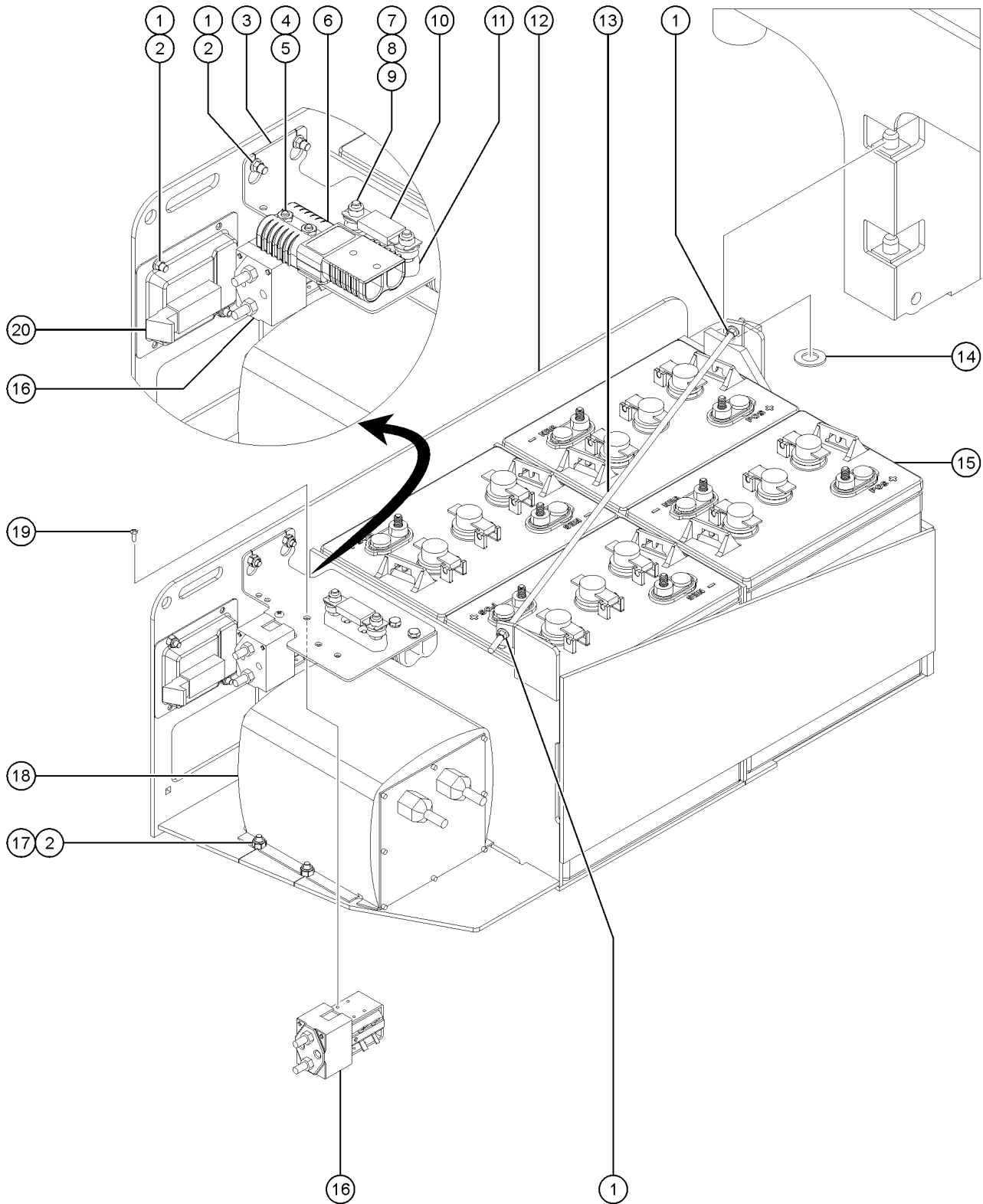
Item	Part No.	Description	Qty.
1	39232GT	CABLE,EMERGENCY DOWN.....1	
2		Ref. Electrical Plug <i>(refer to 406.1)</i>	
3		Ref. Electrical Cord <i>(refer to 406.1)</i>	
4A	144226GT	FORMING,REC.PLG BRKT.....1 <i>to SN GS3016P-158208</i>	
4B	1273055GT	FORMING, PLUG/LED BRACKET.....1 <i>from SN GS3016P-158209</i>	
5	39540GT	ALARM,STEADY TONE***.....1 <i>Does not include 72326 nut</i>	
--	72326GT	NUT - PLASTIC,RING FOR ALARMS	
6A	6637GT	SCREW,HHC,1/4-20 X 1.75.....3 <i>(to SN G3016P-156293) (not shown)</i>	
6B	1255756GT	BOLT,CARRIAGE,1/4-20X1.5,5,ZAG.....3 <i>(from SN G3016P-156294) (shown)</i>	
7A	39469GT	SPRING,COMPRESSION.485 X1.75**...3 <i>(to SN G3016P-156293) (not shown)</i>	
--	56912GT	SPRING CLIP,1/4-20,.025-.15X.54,ZAG <i>(to SN G3016P-156293) (not shown)</i>	
7B	824027GT	NUT,TL FLG,1/4-20,G,ZAG.....3 <i>(from SN G3016P-156294) (shown)</i>	
8A	228406GT	ASSY,LVL SNSR W/ CONNECTOR.....3 <i>(to SN G3016P-156293) (not shown)</i>	
8B	823368GT	SENSOR, LEVEL, UNIVERSAL.....3 <i>(from SN G3016P-156294) (shown)</i>	
9	824216GT	SCREW,PHPM,10-32X1.5,ZAG.....2	
10	824032GT	NUT,TL FLG,10-32,F,ZAG.....2	
11	T112507GT	ASSEMBLY, DOWN LIMIT, GS.....1	
--	19491GT	CONTACTOR,LIMIT SWITCH <i>(Includes plug)</i>	
--	96948GT	SWITCH,LIMIT,W/ROLLER ARM***	
--	97128GT	ROLLER ARM,LIMIT SWITCH***	
12	96493GT	PLATE, LIMIT SWITCH MOUNT.....1	
13	824029GT	NUT,TL FLG,3/8-16,G,ZAG.....2	
14	824125GT	BOLT,CARRIAGE,3/8-16X1.5,ZAG.....2	
15	105310GT	FORMING, ALARM BRACKET,MINI.....1	
16	1255797GT	BOLT,CARRIAGE,1/4-20X2,5,ZAG.....1	
17	78736GT	CLAMP,2 HOSE,PLASTIC,5/8.....2	
18	58592GT	PLATE,HOSE ROUTG,BULKHEAD(PTD).....1	
19	1256679GT	NUT,SERRATED,1/4-20,8,ZAG.....1	
20	131582GT	GROMMET,RUBBER,1.50IDX.375.....1	
21	105440GT	GROMMET,RUBBER 2.5 X 3.0.....2	



## 204.1 Pothole Protection Assembly

Item	Part No.	Description	Qty.
1		"Ref.Wheel and Tire Assy " (refer to 201.1)	
2	96839GT	ASSY,POT HOLE PUSHER,GS***.....2	
3	96524GT	WLDMT/ASSY, PH GUIDE,GS30/32.....1	
--	96408GT	BEARING,1.523IDX1.75ODX0.63L	
4	824029GT	NUT,TL FLG,3/8-16,G,ZAG	
5	1255757GT	BOLT,CARRIAGE,3/8-16X1.25,5,ZAG	
6	105055PGT	PLATE,POTHOLE LINK,GS30.....2	
7	1259197GT	PIN,CLEVIS,.625X1.88,ZAG.....6	
--	105156GT	BUSHING,FLNGD,.63 X .77 X .38.....4	
8	1259177GT	RUE RING,5/8,ZAG.....8	
9	78086GT	BALL STUD, GAS STRUT, 3/8-16.....2	
10	824038GT	NUT,TL JAM,3/8-16,A,ZAG	
11	39542GT	GAS SHOCK,SCISSORS***.....2	
12	96039GT	POT HOLE GUARD,LT,WLDMT.....1 (battery pack side)	
13	96541GT	CAM FOLLOWER,1.125X.375,DELRIN..2	
14	1259178GT	PIN,CLEVIS,.375X1.75,ZAG.....2	
--	12016GT	PIN,COTTER,.125 X .75	
--	825358GT	WASHER,FLAT,5/16,USS,ZAG	
15	1257082GT	WASHER,SHIM,.75X1.125X.030,ZAG...2	
16	824128GT	RUE RING,3/4,ZAG.....2	
17	1259180GT	WASHER,SHIM,.625X1.188X.064,ZA....2	
18	1259179GT	PIN,CLEVIS,.625X1.79,ZAG.....2	
19	84574GT	POTHOLE BELL CRNK LINK ASSYGS30.....2	
--	96642GT	BEARING,0.75IDX1.00ODX1.38L.....2	
20	96085GT	WASHER,THRUST,.63 X 1.13 X .06.....4	
21	96038GT	POT HOLE GUARD,RT,WLDMT.....1 (ground controls side)	
22	105275GT	BRACKET,LIMIT SWITCH MTG***	
23	96317GT	GROUND STRAP,12"LG***.....1	
24	824025GT	NUT,TL,3/8-16,C,ZAG	
25	1255758GT	WASHER,FLAT,3/8,USS,ZAG	
26	96948GT	SWITCH,LIMIT,W/ROLLER ARM***.....2	
--	19491GT	CONTACTOR,LIMIT SWITCH	
--	97128GT	ROLLER ARM,LIMIT SWITCH***	

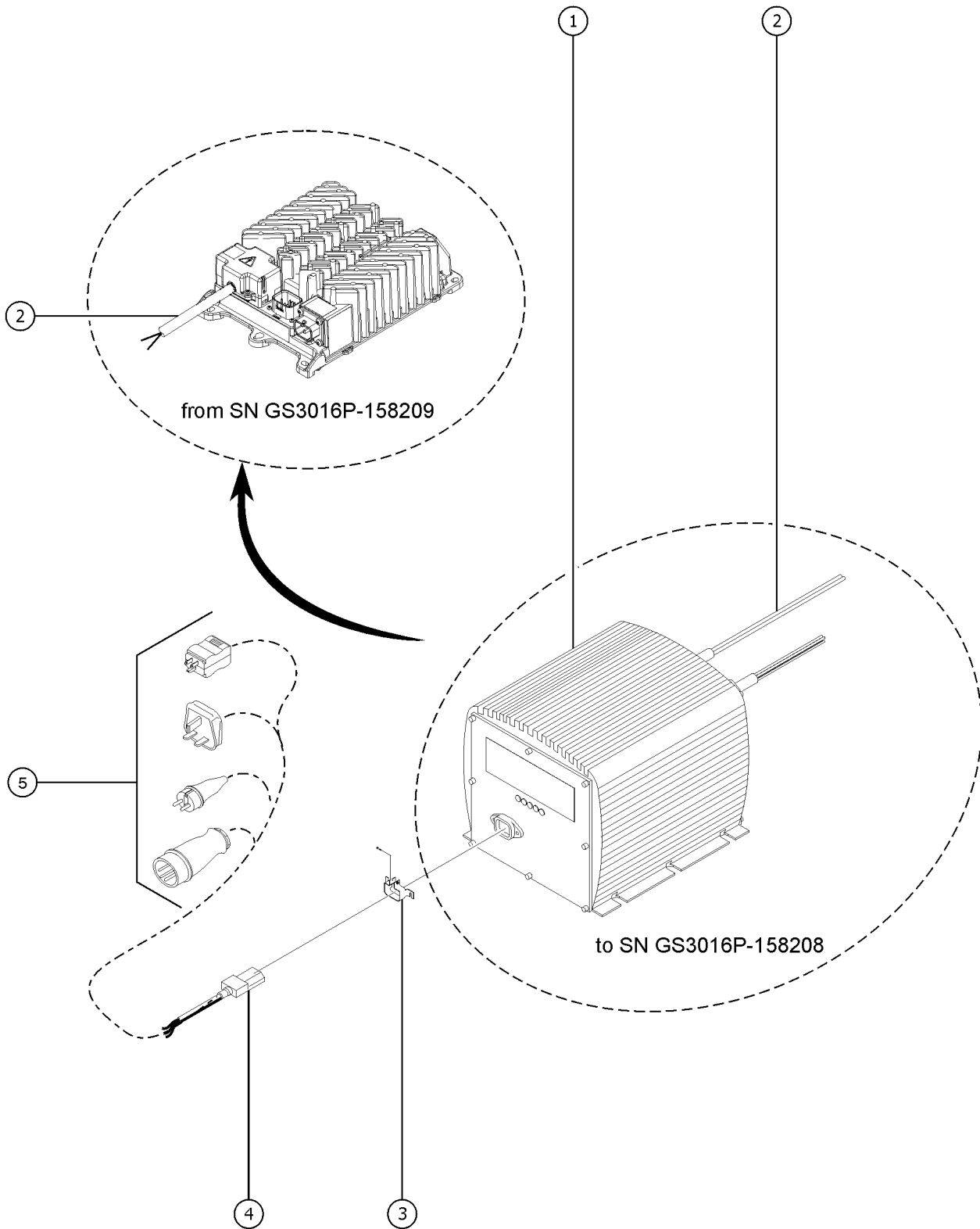
205.1 Battery Pack Module



## 205.1 Battery Pack Module

Item	Part No.	Description	Qty.
1	824027GT	NUT,TL FLG,1/4-20,G,ZAG.....	6
2	824124GT	BOLT,CARRIAGE,1/4-20X.75,5,ZAG.....	8
3	232531GT	FORMING,CONTACTOR MOUNT,GS.....	1
4	824037GT	NUT,HH JAM,1/4-20,A,ZAG.....	4
5	824080GT	SCREW,HHF,1/4-20X1.25,8,ZAG.....	4
6	66397GT	QUICK DISCONNECT CASING,BATT**.....	2
7	1255805GT	NUT,SERRATED,5/16-18,8,ZAG.....	2
8	825358GT	WASHER,FLAT,5/16,USS,ZAG.....	2
9	1259266GT	SCREW,HEX UNSLOTTED,14-10X.5,T.....	2
10	40833GT	FUSE,275 AMP,VERY FAST ACTING.....	1
11	66717GT	FUSE BLOCK, ANN & ANL FUSE..... <i>(includes mounting fasteners)</i>	1
12	233366GT	ASSY,GS BATTERY TRAY <i>(does not include decals, please refer to section 1) (includes items 1, 2, 3, 13, 14, 17 and 20)</i>	
13	30784-2550GT	THREADED ROD,(1/4-20),25.50.....	1
14	1256863GT	WASHER,FLAT,.75,SAE,HRD,ZAG	
15A	76502GT	BATTERY,T105 W/LPT,3 CAP,DRY**.....	4
--	1255805GT	NUT,SERRATED,5/16-18,8,ZAG	
15B	105150GT	BATTERY, AGM, 6V, (TROJAN) ***..... <i>(horizontal battery connections) (replaced 96205, vertical battery cable connections)</i>	4
16A	74267GT	CONTACTOR,DRIVE,24V,180A*** <i>to SN GS3016P-154308</i>	
16B	1270456GT	CONTACTOR,DRIVE,24V,180A <i>from SN GS3016P-154309</i>	
17	1256679GT	NUT,SERRATED,1/4-20,8,ZAG.....	2
18		Ref. Battery Charger <i>(Refer to 206.1)</i>	
19	825349GT	SCREW,PHPM,10-32X.38,ZAG.....	2
20	55675GT	LATCH, LRG PADDLE HANDLE GS90...	1

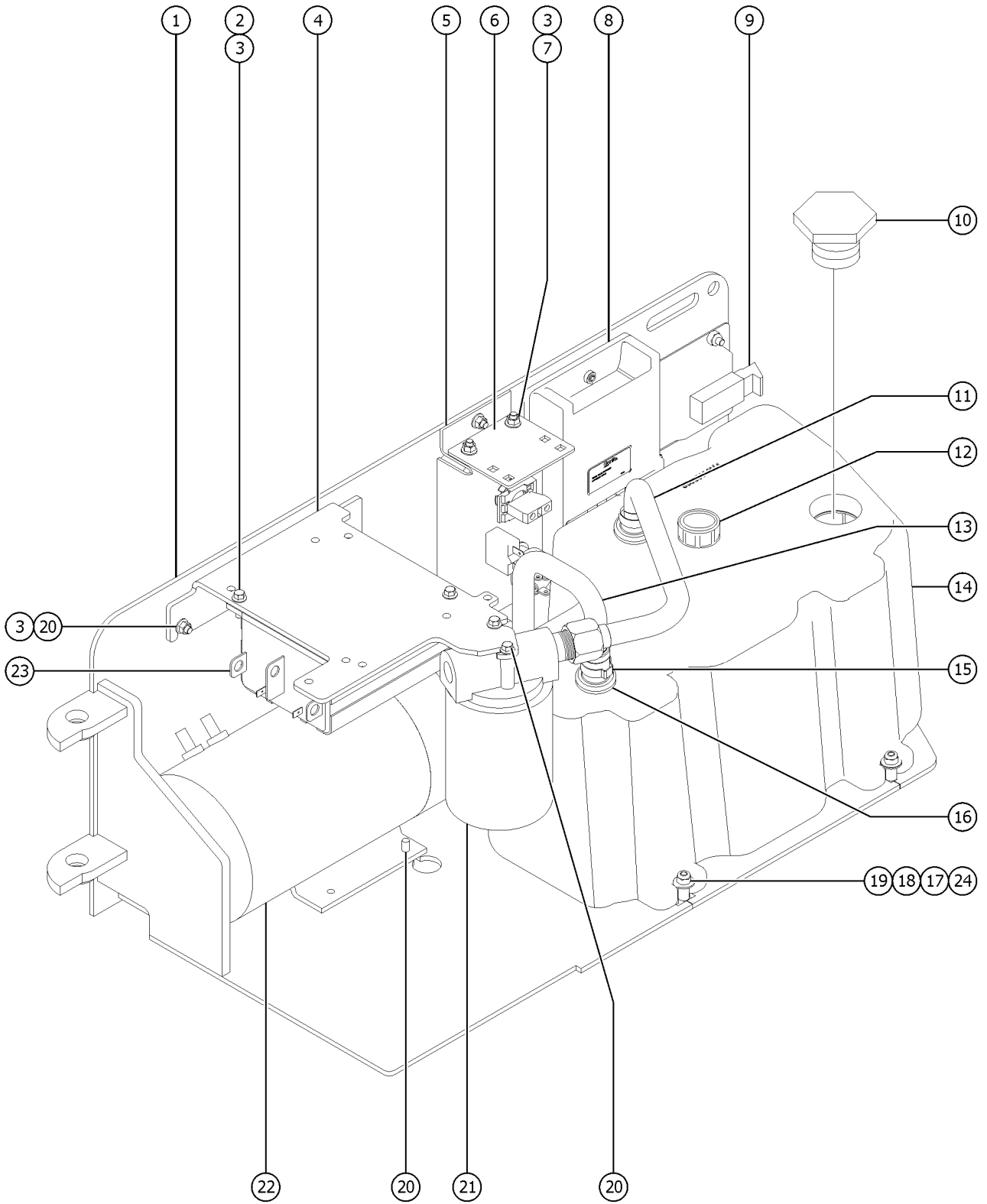
206.1 Battery Charger



206.1 Battery Charger

Item	Part No.	Description	Qty.
A	105334GT	CONNECTOR, IEC CHARGER CORD <i>for 5-LED battery charger</i>	
B	97059GT	FUSE,BATTERY CHARGER*** <i>for 5-LED battery charger</i>	
C	1273576GT	CABLE ASSY,CHARGER/BATTERY <i>(for 1264372)</i>	
1A	105739GT	CHARGER,BAT,24VDC,H/LO GEN2.....1 <i>(to SN GS3016P-158208) Signet battery charger. NOTE: Some machines are equipped with an alternative-brand battery charger. Inspect your machine before ordering OR contact Genie Service Parts if needed.</i>	
--	144180GT	MANUAL,OWNERS,CHARGER,105739	
--	219480GT	KIT,BATTERY CHARGER,24V <i>(includes 105739 charger, fasteners, ring terminals and instructions for field installation)</i>	
1B		Ref. Field Assembly Recessed Charger Plug <i>(to SN GS3016P-158208) (refer to 406.1)</i>	
1C	1264372GT	CHARGER,24V,650W,USB.....1 <i>(from SN GS3016P-158209)</i>	
--	1270281GT	ASSEMBLY, CHARGER STATUS LED, 2V, BCI.....1 <i>LED harness assembly connects to 1272119GT</i>	
--	1272119GT	HARNESS,LED CHARGER,GS30 <i>wire harness with 15-pin connector</i>	
--	1272557GT	POWER CORD, IEC 320, 90 DEG <i>power supply cord (ANSI/CSA models)</i>	
--	1272844GT	CABLE,CHARGER, DC, W/ BTS <i>for AGM 'maintenance free' batteries</i>	
--	1273576GT	CABLE ASSY,CHARGER/BATTERY <i>for standard 'flooded' batteries</i>	
--	1279428GT	KIT,DC BLOCK ASSEMBLY	
2		Ref. CABLE ASSY,CHARGER/BATTERY <i>(refer to 210.1)</i>	
3	55010GT	LOCK, CONNECTOR.....1 <i>(includes fasteners)</i>	
4A	144130GT	POWER CORD, IEC 320, 115" <i>(to SN GS3016P-158208)</i>	
4B	1272557GT	POWER CORD, IEC 320, 90 DEG.....1 <i>(from SN GS3016P-158209)</i>	
5		Ref. PLUG, ELECTRICAL <i>(refer to 406.1)</i>	

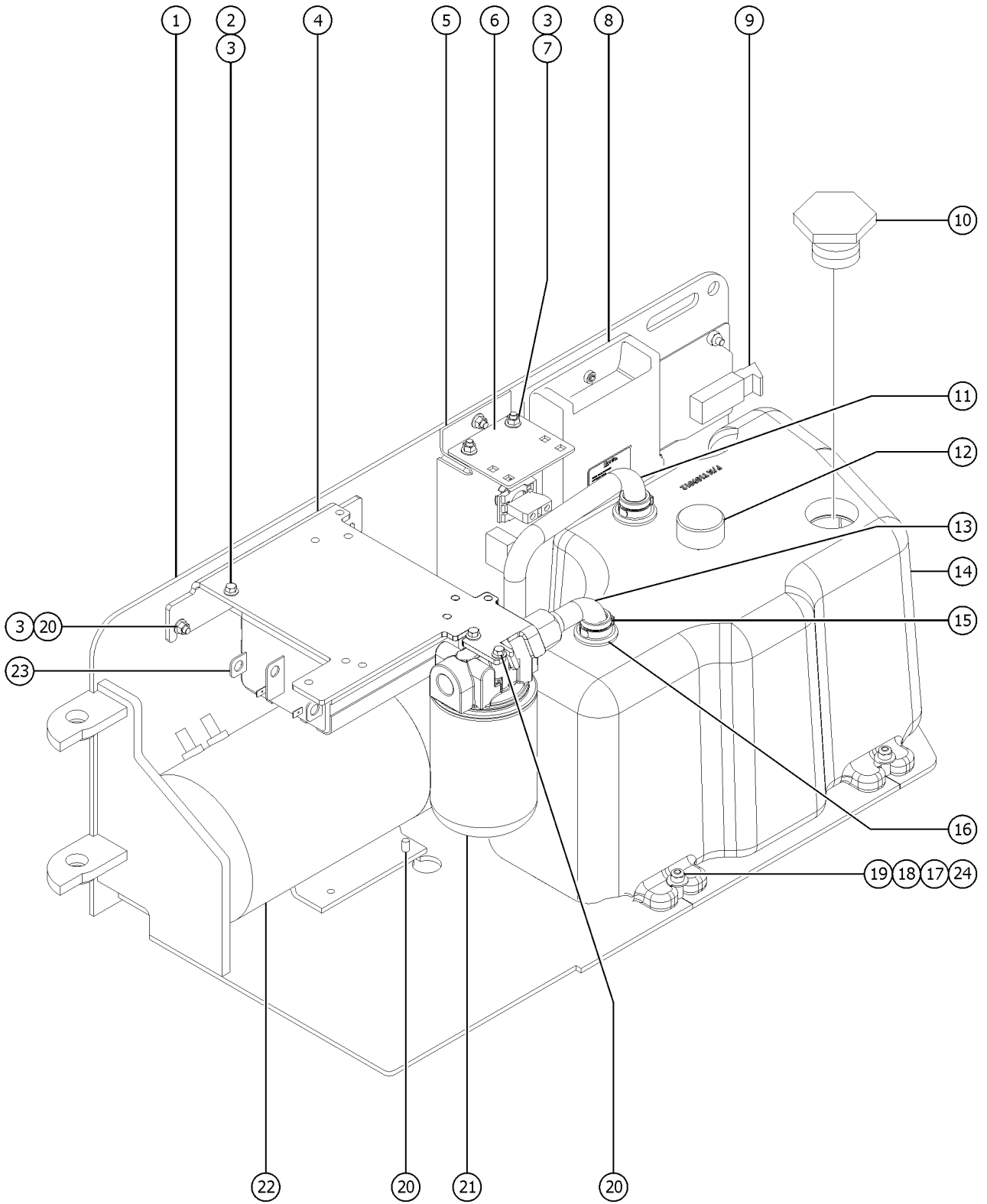
207.1 Power Unit Module (to SN GS3016P-159832)



## 207.1 Power Unit Module (to SN GS3016P-159832)

Item	Part No.	Description	Qty.
1A	231114GT	HYDR TRAY ASSY W/WORDS.....1	
--	T113296GT	WELDMENT,GS HYD TRAY (decals not included, refer to section one)	
1B	231167GT	HYDR TRAY ASSY,GS30 W/SYMBOLS.....1	
--	T113296GT	WELDMENT,GS HYD TRAY (decals not included, refer to section one)	
2	824080GT	SCREW,HHF,1/4-20X1.25,8,ZAG (refer to figure 208.1)	
3	824027GT	NUT,TL FLG,1/4-20,G,ZAG	
4	105308GT	FORMING, FILTER-CNTRLR MOUNT....1	
5		Ref. FORMING, CONTROL PANEL (refer to 208.1)	
6	T108326GT	PLATE,HARNES MOUNT.....1	
7	824124GT	BOLT,CARRIAGE,1/4-20X.75,5,ZAG	
8		Ref. GCON, GR/GRC/GS (refer to figure 208.1)	
9	55675GT	LATCH, LRG PADDLE HANDLE GS90...1	
10	66204GT	FILTER CAP (PLUG 1-1/2" NPT HEX....1	
11	96355GT	TUBE, ASSY, RETURN.....1	
12	78546GT	BREATHER CAP, HYD. TANK, 1/4 NPT.....1	
13	96354GT	TUBE, ASSY, DRAW.....1	
14	226163GT	HYD. TANK KIT, GS30,32,46.....1 (includes items 15 and 16)	
--	T109012GT	TANK,HYD, SLAB SCISSORS	
15	96855GT	CLAMP,HOSE,1 EAR,1-1/16***.....2	
16	96709GT	GROMMET,SLAB HYD TANK***.....2	
17	96699GT	SLEEVE,TANK SUPPORT	
18	824113GT	WASHER,FLAT,1/4,USS,ZAG	
19	1256463GT	BOLT,CARRIAGE,1/4-20X1.25,5,ZAG	
20	824078GT	SCREW,HHF,1/4-20X.75,8,ZAG	
21		REF. FILTER ASSY (refer to figure 501.1)	
22		REF. ELECTRIC MOTOR/PUMP (refer to figure 505.1)	
23	823408GT	MOTOR CONTROLLER, DC,24V,300A.....1 for machines from GS3011A-110828 that have had a contactor kit previously installed; replaced 218236	
24	6091GT	NUT,NYLOCK,1/4-20.....3	

207.2 Power Unit Module (from SN GS3016P-159833)

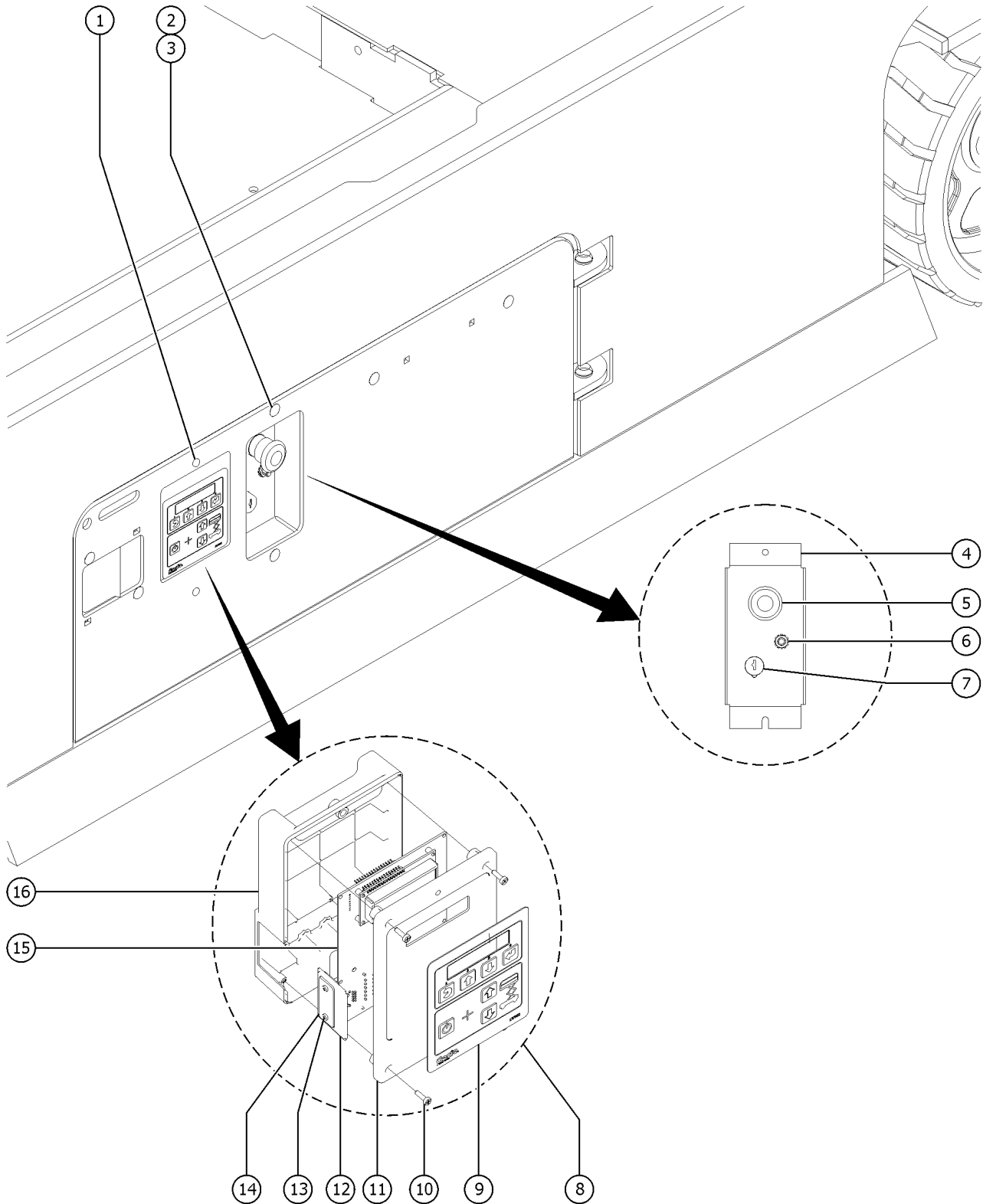


207.2 Power Unit Module (from SN GS3016P-159833)

Item	Part No.	Description	Qty.	Item	Part No.	Description	Qty.
1A	231114GT	HYDR TRAY ASSY W/WORDS.....	1	13B	1276561GT	TUBE, SLAB RETURN ASSEMBLY <i>from SN GS30P-162609</i>	
--	T113296GT	WELDMENT,GS HYD TRAY <i>(decals not included, refer to section one)</i>		14	226163GT	HYD. TANK KIT, GS30,32,46.....	1
1B	231167GT	HYDR TRAY ASSY,GS30 W/SYMBOLS.....	1	--	T109012GT	TANK,HYD, SLAB SCISSORS	
--	T113296GT	WELDMENT,GS HYD TRAY <i>(decals not included, refer to section one)</i>		15	96855GT	CLAMP,HOSE,1 EAR,1-1/16***.....	2
2	824080GT	SCREW,HHF,1/4-20X1.25,8,ZAG <i>(refer to figure 208.1)</i>		16	96709GT	GROMMET,SLAB HYD TANK***.....	2
3	824027GT	NUT,TL FLG,1/4-20,G,ZAG		17	96699GT	SLEEVE,TANK SUPPORT	
4A	1280158GT	KIT,SLAB HYD TANK TUBE REPLACEMENT <i>from SN GS3016P-159833 to 162608 (includes draw tube, return tube, and filter control mount)</i>		18	824113GT	WASHER,FLAT,1/4,USS,ZAG	
--	1270598GT	TUBE, SLAB DRAW ASSEMBLY <i>from SN GS3016P-159833 to 162608</i>		19	1256463GT	BOLT,CARRIAGE,1/4-20X1.25,5,ZAG	
--	1276561GT	TUBE, SLAB RETURN ASSEMBLY <i>from SN GS3016P-159833 to 162608</i>		20	824078GT	SCREW,HHF,1/4-20X.75,8,ZAG	
4B	1276562GT	FORMING,FILTER-CONTROLLER MOUNT <i>from SN GS30P-162609</i>		21		REF. FILTER ASSY <i>(refer to figure 501.1)</i>	
5		Ref. FORMING, CONTROL PANEL		22		REF. ELECTRIC MOTOR/PUMP <i>(refer to figure 505.1)</i>	
6	T108326GT	PLATE,HARNESS MOUNT.....	1	23	823408GT	MOTOR CONTROLLER, DC,24V,300A.....	1
7	824124GT	BOLT,CARRIAGE,1/4-20X.75,5,ZAG				<i>for machines from GS3011A-110828 that have had a contactor kit previously installed; replaced 218236</i>	
8		Ref. GCON, GR/GRC/GS <i>(refer to figure 208.1)</i>		24	6091GT	NUT,NYLOCK,1/4-20.....	3
9	55675GT	LATCH, LRG PADDLE HANDLE GS90...	1				
10	66204GT	FILTER CAP (PLUG 1-1/2" NPT HEX.....)	1				
11A	1280158GT	KIT,SLAB HYD TANK TUBE REPLACEMENT <i>from SN GS3016P-159833 to 162608 (includes draw tube, return tube, and filter control mount)</i>					
--	1276561GT	TUBE, SLAB RETURN ASSEMBLY <i>from SN GS3016P-159833 to 162608</i>					
--	1276562GT	FORMING,FILTER-CONTROLLER MOUNT <i>from SN GS3016P-159833 to 162608</i>					
11B	1270598GT	TUBE, SLAB DRAW ASSEMBLY <i>from SN GS30P-162609</i>					
12	78546GT	BREATHER CAP, HYD. TANK, 1/4 NPT.....	1				
13A	1280158GT	KIT,SLAB HYD TANK TUBE REPLACEMENT <i>from SN GS3016P-159833 to 162608 (includes draw tube, return tube, and filter control mount)</i>					
--	1270598GT	TUBE, SLAB DRAW ASSEMBLY <i>from SN GS3016P-159833 to 162608</i>					
--	1276562GT	FORMING,FILTER-CONTROLLER MOUNT <i>from SN GS3016P-159833 to 162608</i>					



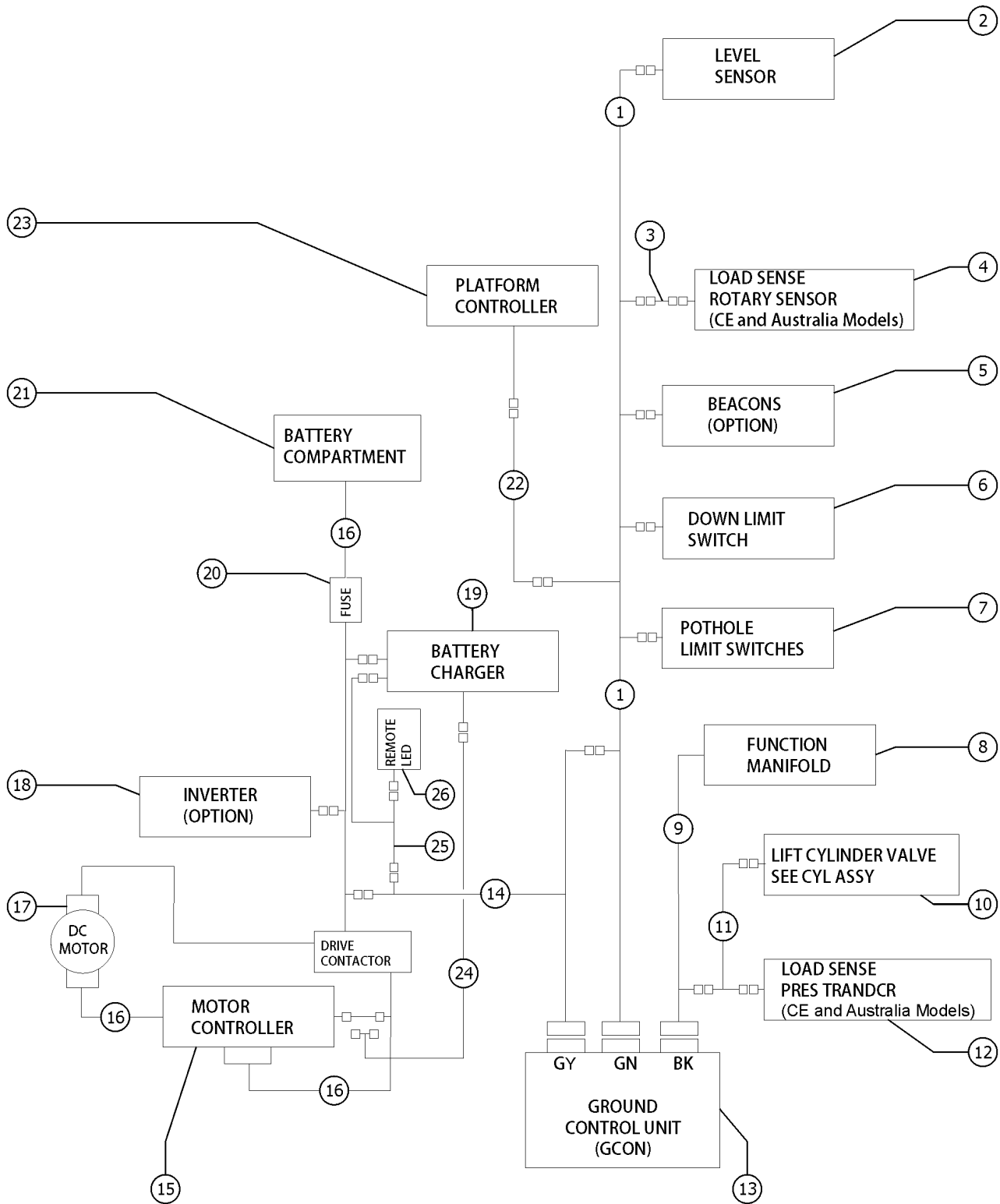
208.1 Ground Controls, All Models



208.1 Ground Controls, All Models

Item	Part No.	Description	Qty.
A	83093GT	KEY SINGLE*** <i>includes rubber boot</i>	
B	21982GT	KEY,SINGLE*** <i>without rubber boot</i>	
C	37947GT	KEYS,10 PACK*** <i>without rubber boots</i>	
1	51063GT	SCREW,PHILLIPS,RHM,10-32 X 1.5.....2	
2	824124GT	BOLT,CARRIAGE,1/4-20X.75,5,ZAG.....2	
3	824027GT	NUT,TL FLG,1/4-20,G,ZAG.....2	
4	T108327GT	FORMING,CONTROL PANEL.....1	
5	66812GT	BUTTON,PUSH,RED MUSHROOM HEAD.....1	
--	58627GT	NUT.....1	
--	66817GT	BASE WITH 1 NC CONTACT, E-STOP...1	
--	66818GT	CONTACT,NC.....1	
6	96452GT	CIRCUIT BREAKER,7.0 AMP***.....1	
--	122994GT	NICKEL PLATED JAM NUT.....1	
--	6700GT	WASHER,STAR,EXTERNAL,.375.....1	
7A	96008-SGT	KEYSWITCH,3 POS. W/KEYS***.....1	
--	85239GT	NUT,RETAINER (96008)	
--	96009GT	WASHER,NITRILE <i>(sold seperately)</i>	
--	96010GT	SCREW,PHILLIPS,PHM,8-32 X.25** <i>(sold seperately)</i>	
7B	83131GT	KEYSWITCH,3 POS W/KEYS,LOCKING <i>Australia market only; not for CE market</i>	
--	85239GT	NUT,RETAINER (96008)	
8	1256721GT	GCON,STD,PROP LIFT.....1	
--	1256807GT	LABEL,GCON STD,SERIAL.....1	
9	137562GT	DECAL,MEMBRANE, GR/GRC/GS GCON.....1	
10	137668GT	SCREW,PHM,6-19X.75, 48-2 TRI-L.....4	
11	T106366GT	ENCLOSURE,GC27-25/GC21-19,FRNT.1	
12	T106363GT	ADAPTER, RJ45, GC27-25/GC21-19.....1	
13	137637GT	SCREW,PHM,4-20X.5, 48-2 TRI-L.....2 <i>(Not shown)</i>	
14	T106362GT	COVER, RJ45, GC27-25/GC21-19.....1	
15	1256719GT	PCBA,GCON STD,PROP LIFT	
16	T106372GT	ENCLOSURE, GC21-19, BK.....1	

209.1 Electrical Wiring

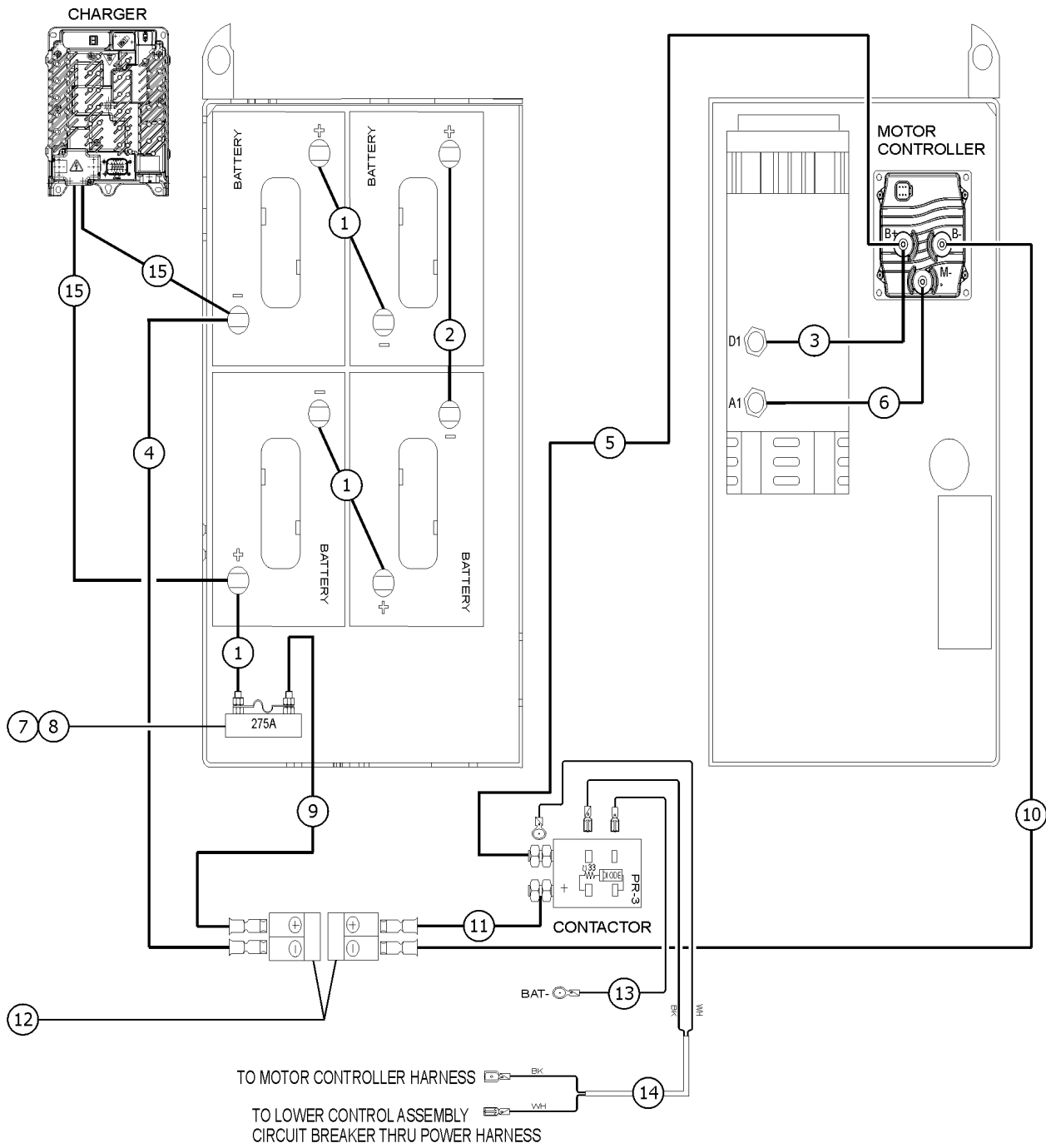


209.1 Electrical Wiring

Item	Part No.	Description	Qty.	Item	Part No.	Description	Qty.
A	88335GT	PLUG,DTM SEAL 20-24GA		16		REF. ELECTRICAL WIRING AND POWER CABLES <i>refer to 210.1</i>	
B	1264822GT	KIT, TRC RETROFIT, STNDRD <i>Telematics (includes 1264834)</i>		17		REF. DC MOTOR <i>refer to 505.1</i>	
--	1264834GT	INSTRN, TRC RETROFIT, STNDRD		18	96459GT	HARNESS ASSEMBLY, INVERTER	
1A	228786GT	HARNESS, GS SENSORS, ANSI <i>ANSI, CSA, S.America (to SN GS3016P-156293)</i>		19		REF. BATTERY CHARGER <i>refer to 206.1</i>	
--	233644GT	RESISTOR,200 OHM 10W,CERAMIC		20		REF. FUSE <i>refer to 205.1</i>	
--	233711GT	HRNS ASSY,RESISTOR DIODE <i>for 228786 and T110891</i>		21		REF. BATTERY COMPARTMENT <i>refer to 205.1</i>	
1B	1263221GT	HARNESS, GS SENSORS, ANSI.....1 <i>ANSI, CSA, S. America (from SN GS3016P-156294)</i>	1	22A	T112510GT	CABLE, PLATFORM CONTROL, 15XX...1 <i>GS-1530 and GS-1532</i>	
1B	1263321GT	WLDMT,FIXED RAIL,FRONT.....1 <i>ANSI, CSA, S. America (from SN GS3016P-156294)</i>	1	--	218579GT	WIRE CABLE 18/5 - UNSHIELDED.....212-inches <i>GS-1530 and GS-1532</i>	
1C	T110891GT	HARNESS, GS SENSORS, CE.....1 <i>CE, AUS, Asia (to SN GS3016P-156293) (Green connector)</i>	1	--	231921GT	KIT,CONN,RECEPT W/PIN AND LOCK	
--	233711GT	HRNS ASSY,RESISTOR DIODE <i>for 228786 and T110891</i>		--	231922GT	KIT,CONN,PLUG W/SCKT AND LOCK	
1D	1263220GT	HARNESS, GS SENSORS, CE.....1 <i>CE, AUS, Asia (from SN GS3016P-156294)</i>	1	22B	T112511GT	CABLE, PLATFORM CONTROL, 19XX...1 <i>GS-1930 and GS-1932</i>	
2		REF. LEVEL SENSOR <i>refer to 203.1</i>		--	218579GT	WIRE CABLE 18/5 - UNSHIELDED.....278-inches <i>GS-1930 and GS-1933</i>	
3	T114031GT	HARNESS, ROTARY ANGLE <i>CE and AUS</i>		--	231921GT	KIT,CONN,RECEPT W/PIN AND LOCK <i>GS-1930 and GS-1934</i>	
4	T113136GT	ASSY,ROT SENSR W/ HARNESS.....1 <i>CE and AUS</i>	1	--	231922GT	KIT,CONN,PLUG W/SCKT AND LOCK <i>GS-1930 and GS-1935</i>	
5		REF. BEACONS <i>refer to 601.1</i>		23		REF. Joystick Controller <i>refer to 407.1</i>	
6	T112507GT	ASSEMBLY, DOWN LIMIT, GS.....1	1	24	144213GT	CHARGER INTERLOCK CBLE,GS30/32	
7	96309GT	ASSY,POTHOLE HARNESS,GS.....1	1	25	1272119GT	HARNESS,LED CHARGER,GS30 <i>from SN GS3016P-158209</i>	
8		REF. FUNCTION MANIFOLD <i>refer to 502.1</i>		26	1270281GT	ASSEMBLY,CHARGER STATUS LED,2V <i>from SN GS3016P-158209</i>	
9	1257824GT	HARNESS,FUNCTION MANIFOLD,GS...1 <i>(Black connector)</i>	1				
10		REF. LIFT CYLIDER VALVE <i>refer to 506.1</i>					
11A	T112508GT	CABLE,LFT CYL DN,15/19XX,WO/LS....1 <i>ANSI, CSA, Asia, S. America</i>	1				
11B	T112509GT	CABLE, LIFT CYL DOWN, W/ LS.....1 <i>CE and AUS</i>	1				
12	229750GT	HARNESS,PRESS,TRANSDUCER*** ....1 <i>CE and AUS</i>	1				
13		REF. GROUND CONTROLS <i>refer to 208.1</i>					
14	1258394GT	HARNESS, GS POWER CONTROL.....1 <i>(Grey connector)</i>	1				
15		REF. MOTOR CONTROLLER <i>refer to 207.1</i>					

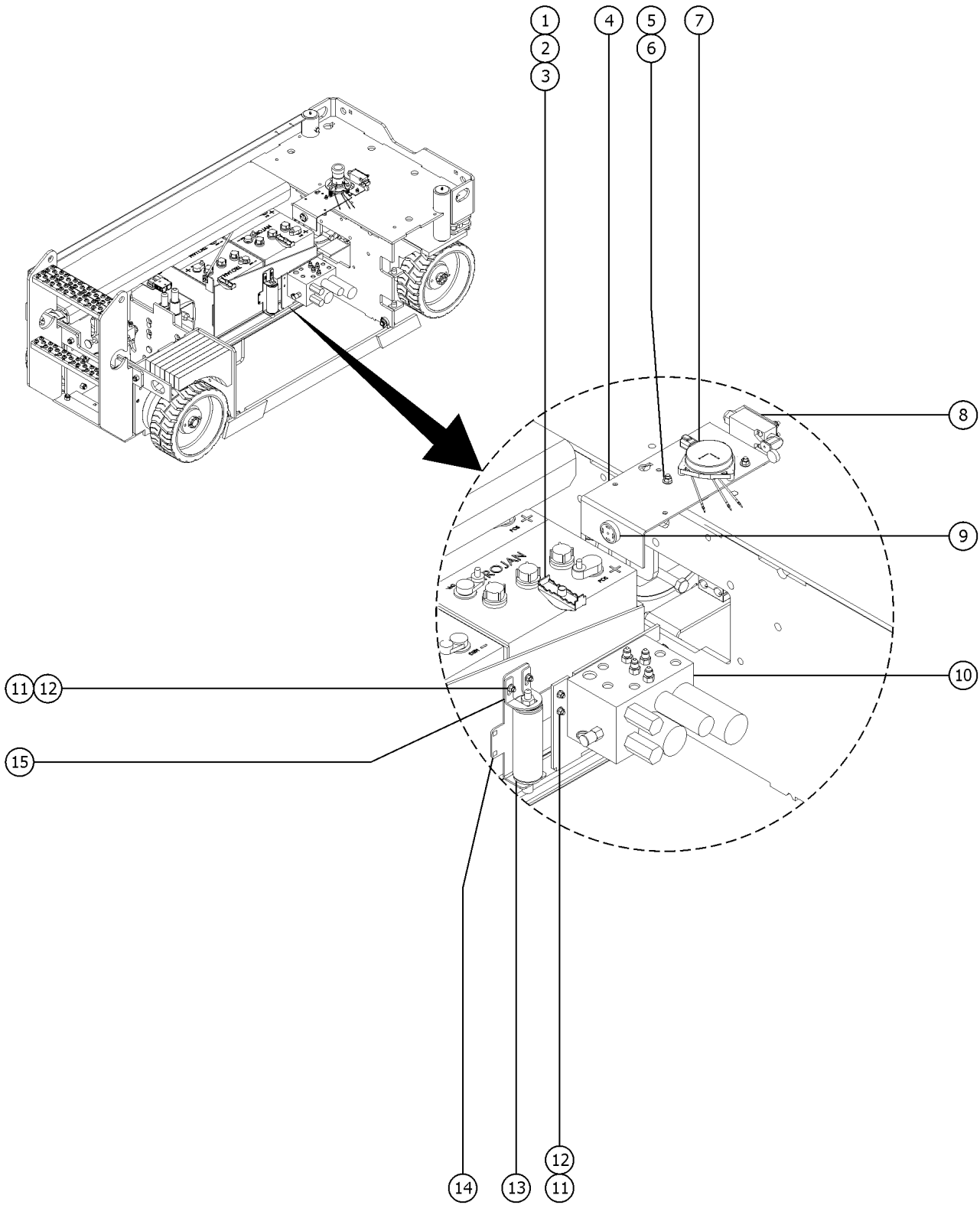


210.1 Power Cables



Item	Part No.	Description	Qty.
A	28131GT	WIRE LOOM,1.25 DIA.....16-inches	
B	96110GT	BOOT,CABLE TERMINAL COVER.....14	
C	79140GT	BOOT,CABLE TERMINAL,RED,XL.....2	
1	96304GT	CABLE ASSY,BATT,5.50"RED.....3	
2	96306GT	CABLE ASSY,BATT,9.50"RED.....1	
3	1257054GT	CABLE ASSY., BATT. 14" RED.....1	
4	232578GT	CABLE ASSY,BATT, 20" BLK.....1	
5	1257059GT	CABLE ASSY., BATT. 75" RED.....1	
6	1257055GT	CABLE ASSY., BATT. 12" BLACK.....1	
7	66717GT	FUSE BLOCK, ANN & ANL FUSE.....1	
8	40833GT	FUSE,275 AMP,VERY FAST ACTING.....1	
9	232576GT	CABLE ASSY,BATT, 12" RED.....1	
10	1257058GT	CABLE ASSY., BATT. 79" BLACK.....1	
11	233371GT	CABLE ASSY,BATT,23"RED.....1	
12	66397GT	QUICK DISCONNECT CASING,BATT** .....2	
13	232582GT	GROUND WIRE ASSY,GS.....1	
14	233431GT	HRNS,CONTACTOR SIGNL,GS30/32.....1	
15A	1273576GT	CABLE ASSY,CHARGER/BATTERY <i>(for 1264372) (from SN GS4616P-158209)</i> <i>(standard batteries)</i>	
15B	1272844GT	CABLE,CHARGER, DC, W/ BTS.....1 <i>(to SN GS4616P-158208) (AGM batteries)</i>	

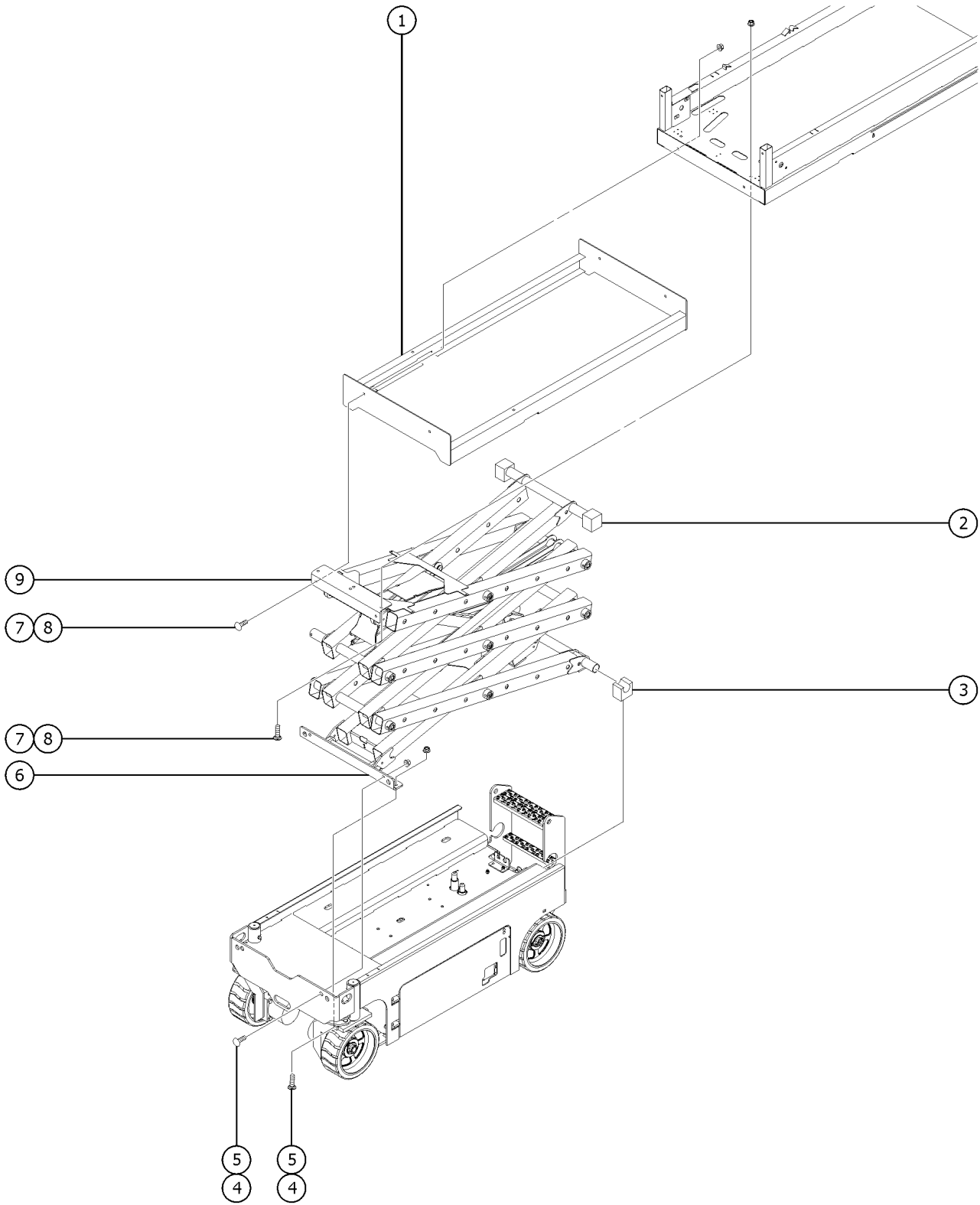
211.1 Function Manifold and Accumulator Components



## 211.1 Function Manifold and Accumulator Components

Item	Part No.	Description	Qty.
1	105209GT	CLAMP,CABLE & HOSE.....	2
2	824081GT	SCREW,HHF,1/4-20X1.5,8,ZAG.....	2
3	6091GT	NUT,NYLOCK,1/4-20.....	2
4		Ref. Alarm Bracket (refer to 203.1)	
5	824029GT	NUT,TL FLG,3/8-16,G,ZAG	
6	824125GT	BOLT,CARRIAGE,3/8-16X1,5,ZAG	
7		Ref. Level Sensor (refer to 203.1)	
8		Ref. Limit Switch with Roller (refer to 203.1)	
9		Ref. Alarm, Steady Tone (refer to 203.1)	
10		Ref. Function Manifold (refer to 502.1)	
11	824027GT	NUT,TL FLG,1/4-20,G,ZAG.....	6
12	824124GT	BOLT,CARRIAGE,1/4-20X.75,5,ZAG.....	6
13	78422GT	ACCUMULATOR,180 PSI PRECHARGE*.....	1
14	105210GT	FORMING, ACCUMULATOR BRACKET.....	1
15	105211GT	FORMING, ACCUMULATOR CLAMP.....	1

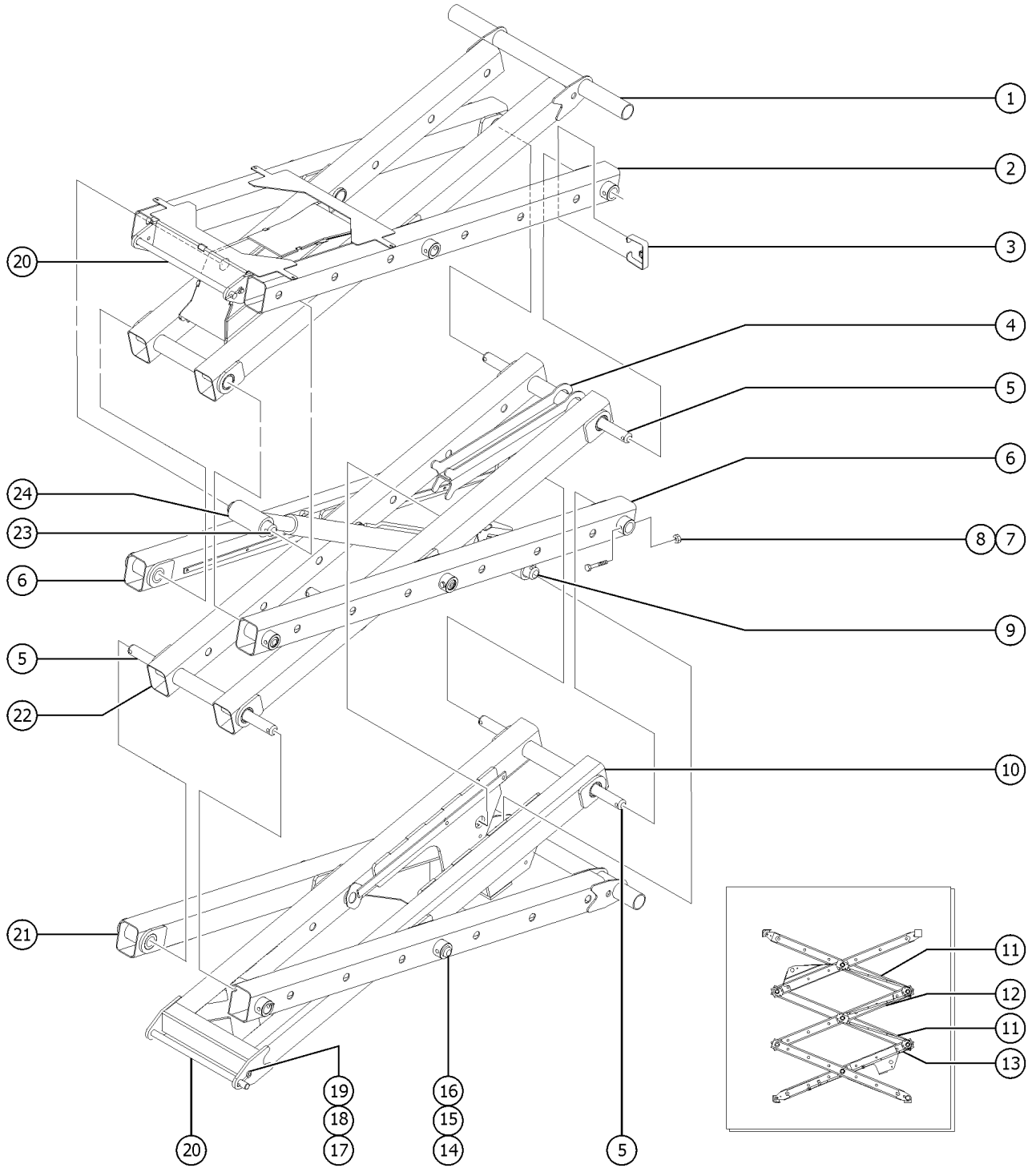
301.1 Scissor Assembly Installation



## 301.1 Scissor Assembly Installation

Item	Part No.	Description	Qty.
1	96415GT	WLDMT,PLATFORM SLIDER.....1 <i>GS-1530 &amp; GS-1532 Models Only</i>	1
2	96576GT	SLIDER,MINI PLATFORM,DRILLED**....2	2
3	96126GT	SLIDER, UHMW.....2	2
4	1256115GT	BOLT,CARRIAGE,1/2-13X1.75,5,ZA.....8	8
5	1251997GT	NUT,TL FLG,1/2-13,G,ZAG.....8	8
6	84693GT	CHASSIS MOUNT ASSY, GS30.....1	1
--	36369GT	BEARING,0.75IDX1.00ODX0.75L.....2	2
7	1255757GT	BOLT,CARRIAGE,3/8-16X1.25,5,ZAG	
8	824029GT	NUT,TL FLG,3/8-16,G,ZAG	
9A	84694GT	PLATFORM MOUNT ASSY, 15 FT.....1 <i>GS-1530, GS-1532</i>	1
--	36369GT	BEARING,0.75IDX1.00ODX0.75L.....2	2
9B	84695GT	PLATFORM MOUNT ASSY, 19 FT.....1 <i>GS-1930, GS-1932</i>	1
--	36369GT	BEARING,0.75IDX1.00ODX0.75L.....2	2

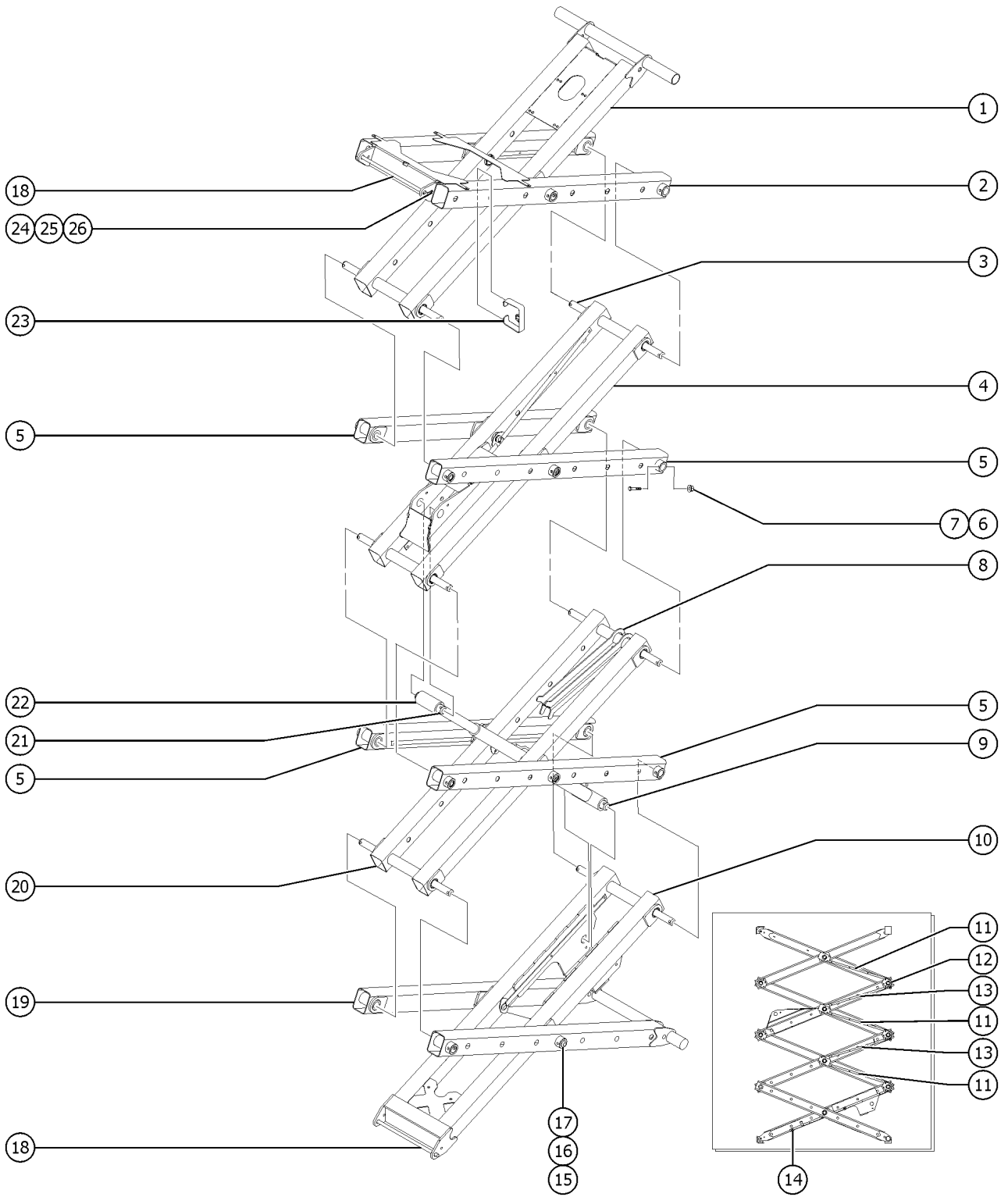
302.1 Scissor Assembly, GS-1530/1532



## 302.1 Scissor Assembly, GS-1530/1532

Item	Part No.	Description	Qty.
1	84578GT	INNER ARM ASSY,#3,15FT.....	1
--	96487GT	BEARING,1.26IDX1.53ODX1.25L.....	6
2	105280GT	WELDMENT,LINK PLATFORM MNT***.....	2
3	96331GT	LINK BUMPER.....	8
4	58000GT	SAFETY CHOCK,SCISSOR.....	1
5	105085GT	PIN,MINI END***.....	4
6	96121GT	WELDMENT, LINK, SINGLE.....	2
7	824025GT	NUT,TL,3/8-16,C,ZAG	
8	1256848GT	SCREW,HHC,3/8-16X2.75,8,ZAG	
9	47666GT	PIN,1.50DIA X9.13LG,1HOLE.....	1
10A	105997GT	INNER ARM ASSY#1,15&19FT,WORD..... <i>(USA, Canada, and Australia)</i>	1
--	105818GT	WLDTMT,LINK,#1 INNER,15&19 FT..... <i>(decals not included, refer to section one)</i>	1
--	96487GT	BEARING,1.26IDX1.53ODX1.25L.....	6
10B	105998GT	INNER ARM ASSY#1,15&19FT,SYMB.... <i>(Europe, Asia, South America)</i>	1
--	105818GT	WLDTMT,LINK,#1 INNER,15&19 FT..... <i>(decals not included, refer to section one)</i>	1
--	96487GT	BEARING,1.26IDX1.53ODX1.25L.....	6
11	105183GT	WLDMT,CABLE BRIDGE,BOTTOM,MINI.....	2
12	105184GT	WELDMENT,CABLE BRIDGE, TOP,MINI.....	1
13	105182GT	WLDMT,CABLE BRIDGE, LOWER,MINI.....	1
14	824164GT	SNAP RING,EXTERNAL,1.25,ZAG.....	6
15	1251799GT	WASHER,SHIM, 1.27X2.13X.13,ZAG	
16	96130GT	PIN, MINI, CENTER.....	6
17	824080GT	SCREW,HHF,1/4-20X1.25,8,ZAG	
18	825020GT	ROD END, .25 X 2.75, ZAG.....	2
19	824027GT	NUT,TL FLG,1/4-20,G,ZAG	
20	96131GT	PIN, CHASSIS PIVOT.....	2
21A	84581GT	OUTER ARM ASSY#1,15&19FT WORD..... <i>(USA, Canada, and Australia)</i>	1
21B	84583GT	OUTER ARM ASSY,#1,15&19FT SYMB..... <i>(Europe, Asia, South America)</i>	1
22	84582GT	INNER ARM ASSY,#2,15/19 FT,WRD.... <i>(decals not included, refer to section one)</i>	1
--	96487GT	BEARING,1.26IDX1.53ODX1.25L.....	8
23	96283GT	PIN, CYLINDER, SHORT.....	1
24		REF. LIFT CYLINDER <i>(refer to 506.1)</i>	

303.1 Scissor Assembly, GS-1930/1932

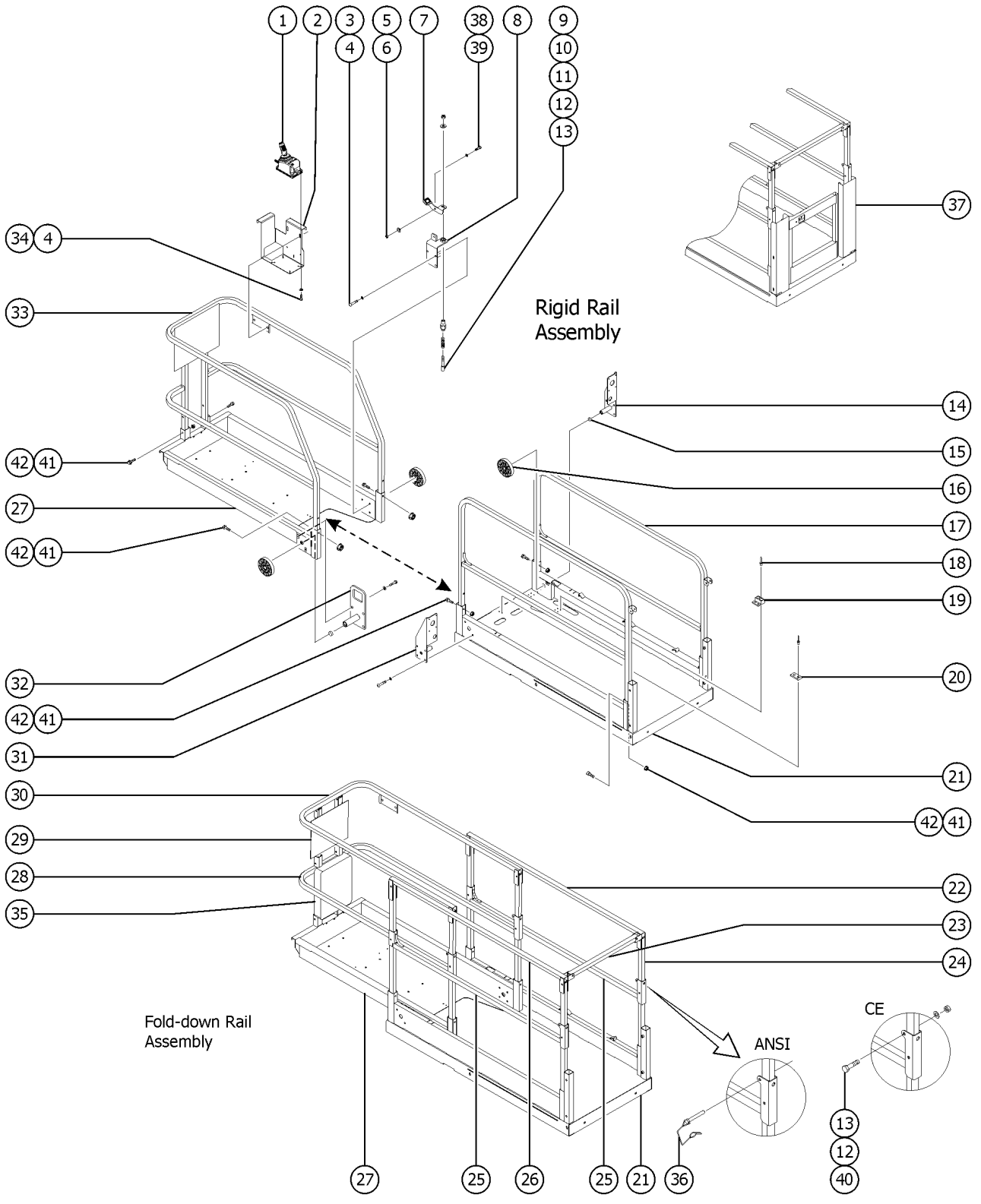


303.1 Scissor Assembly, GS-1930/1932

Item	Part No.	Description	Qty.	Item	Part No.	Description	Qty.
1	84579GT	INNER ARM ASSY,#4 19FT.....	1	26	824027GT	NUT,TL FLG,1/4-20,G,ZAG	
--	96487GT	BEARING,1.26IDX1.53ODX1.25L.....	6				
2	105280GT	WELDMENT,LINK PLATFORM MNT***.....	2				
3	105085GT	PIN,MINI END***.....	6				
4	84580GT	INNER ARM ASSY, #3, 19FT.....	1				
--	96487GT	BEARING,1.26IDX1.53ODX1.25L.....	8				
5	96121GT	WELDMENT, LINK, SINGLE.....	4				
6	824029GT	NUT,TL FLG,3/8-16,G,ZAG					
7	1256848GT	SCREW,HHC,3/8-16X2.75,8,ZAG					
8	58000GT	SAFETY CHOCK,SCISSOR.....	1				
9	47666GT	PIN,1.50DIA X9.13LG,1HOLE.....	1				
10A	105997GT	INNER ARM ASSY#1,15&19FT,WORD.....	1				
		<i>(USA, Canada, Australia)</i>					
--	105818GT	WLDTMT,LINK,#1 INNER,15&19 FT.....	1				
		<i>(decals not included, refer to section one)</i>					
--	96487GT	BEARING,1.26IDX1.53ODX1.25L.....	6				
10B	105998GT	INNER ARM ASSY#1,15&19FT,SYMB....	1				
		<i>(Europe, Asia, South America)</i>					
--	105818GT	WLDTMT,LINK,#1 INNER,15&19 FT.....	1				
		<i>(decals not included, refer to section one)</i>					
--	96487GT	BEARING,1.26IDX1.53ODX1.25L.....	6				
11	105183GT	WLDMT,CABLE BRIDGE,BOTTOM,MINI.....	3				
12	105185GT	CLIP, CABLEBRIDGE, MINI.....	3				
13	105184GT	WELDMENT,CABLE BRIDGE, TOP,MINI.....	2				
14	105182GT	WLDMT,CABLE BRIDGE, LOWER,MINI.....	1				
15	824164GT	SNAP RING,EXTERNAL,1.25,ZAG.....	8				
16	1251799GT	WASHER,SHIM, 1.27X2.13X.13,ZAG					
17	96130GT	PIN, MINI, CENTER.....	8				
18	96131GT	PIN, CHASSIS PIVOT.....	2				
19A	84581GT	OUTER ARM ASSY#1,15&19FT WORD.....	1				
		<i>(USA, Canada, Australia)</i>					
19B	84583GT	OUTER ARM ASSY,#1,15&19FT SYMB.....	1				
		<i>(Europe, Asia, South America)</i>					
20	84582GT	INNER ARM ASSY,#2,15/19 FT,WRD....	1				
21	96283GT	PIN, CYLINDER, SHORT.....	1				
22		Ref. Lift Cylinder <i>(refer to 506.1)</i>					
23	96331GT	LINK BUMPER.....	8				
24	824080GT	SCREW,HHF,1/4-20X1.25,8,ZAG					
25	825020GT	ROD END, .25 X 2.75, ZAG.....	2				



401.1 Platform Components, GS-1530 (to SN GS30P-165149)



401.1 Platform Components, GS-1530 (to SN GS30P-165149)

Item	Part No.	Description	Qty.	Item	Part No.	Description	Qty.
1		Ref. Platform Control Box <i>(refer to 407.1 or 408.1)</i>		21D	231104GT	PLAT MAIN DECK ASSY,1530 CE.....1 <i>GS-1530 (Europe) (includes items 18, 19 &amp; 20)</i>	
2		Ref. Platform Control Box Mount Bracket <i>(refer to 407.1 or 408.1)</i>		--	47098GT	TAPE, NON-SKID, DIE CUT, 4" X 40"	
3	5224GT	SCREW, HHC, 3/8-16 X 2		--	47231GT	TAPE, NON-SKID, DIE CUT, 4" X 16"	
4	6021GT	WASHER, LOCK, .375		21E	1259719GT	WLDMNT, PLATFORM, MINI, GS30.....1 <i>replaced 96275 from SN 110000 (weldment only; decals not included, refer to section one)</i>	
5	6002GT	NUT, LP NYLOCK, 5/16-18.....1		22	66890-SGT	WLDMT, MAIN SIDERAIL, UPP, RT **.....1	
6	47222GT	WASHER, SHOULDER, NYLON.....1		--	78038GT	CAP, TUBE, SQ, 1.25 X .083	
7	46260GT	FOOTPEDAL W/NON-SKID TAPE, GS**.....1		23	66886GT	ENTRY SWING TUBE.....1	
--	47166GT	BRACKET, FOOT PEDAL <i>(does not include non-skid tape)</i>		24	66485GT	TUBE, VERT, FOLDING.....6	
--	47225GT	TAPE, NON-SKID, DIE CUT, 1.38X1.5		25	97041GT	MAIN RAIL, FOLDING, GS30.....2	
8	96413GT	WLDMT, LOCKING ROLLER SUPPORT.....1		--	78038GT	CAP, TUBE, SQ, 1.25 X .083	
9	39470GT	PIN, LOCK.....1		26	66889-SGT	WLDMT, MAIN SIDERAIL, UPPER, LFT...1	
10	39469GT	SPRING, COMPRESSION. 485 X 1.75**...1		--	78038GT	CAP, TUBE, SQ, 1.25 X .083	
11	41630GT	HOUSING, LOCK PIN.....1		--	39474GT	WEAR PAD, PLATFORM.....1	
12	1255758GT	WASHER, FLAT, 3/8, USS, ZAG		--	47374GT	TAPE, NON-SKID, DIE CUT, 4" X 32".....3	
13	824038GT	NUT, TL JAM, 3/8-16, A, ZAG		--	T113787GT	RIVET, ALUM, STL, .188 X .250.....2 <i>for 39474</i>	
14A	84587GT	ROLLER BRACKET ASSY, GRND CNTR.....1 <i>(ground controls side)</i>		27A	97123GT	PLAT EXT DECK ASSY, GS30.....1	
14B	96247GT	WELDMENT, ROLLER BRACKET, RT***.....1 <i>(decals not included, refer to section one)</i>		27B	96335GT	WELDMENT, EXT PLATFORM.....1 <i>(decals not included, refer to section one)</i>	
15	21279GT	BUTTON, .800 O.D. X .281.....3		28	96336GT	WLDMT, EXT DECK LWR RAIL.....1 <i>(fold down)</i>	
16	47163GT	ROLLER, PLATFORM EXTENSION.....4		--	78038GT	CAP, TUBE, SQ, 1.25 X .083	
17	97034GT	GS30 RIDGID MAIN SIDE SQ RAIL.....2		29A	231111GT	DECAL PLATE ASSY, GS30, ANSI.....1 <i>(North America)</i>	
18	39579GT	RIVET, STL, STL, .188 X .45.....20		29B	231610GT	DECAL PLATE ASSY, GS30, AUSTRAL...1 <i>(Australia)</i>	
19	39310GT	WEAR/GUIDE PAD MAIN PLATFORM...4		29C	84590GT	DECAL PLATE ASSY W/SYM DECALS.....1 <i>(Asia, Europe and South America)</i>	
20	39474GT	WEAR PAD, PLATFORM.....2		29D	96849GT	WELDMENT, DECAL PLATE.....1 <i>(decals not included, refer to section one)</i>	
21A	97115GT	PLAT MAIN DECK ASSY, 1530 ANSI.....1 <i>GS-1530 (North America) (includes items 18, 19 &amp; 20)</i>		--	78038GT	CAP, TUBE, SQ, 1.25 X .083	
--	47098GT	TAPE, NON-SKID, DIE CUT, 4" X 40"		30A	97213GT	EXT RAIL ASSY, UPPER, GS30.....1	
--	47231GT	TAPE, NON-SKID, DIE CUT, 4" X 16"		30B	96848GT	WELDMENT, EXT RAIL, UPPER***.....1 <i>(decals not included, refer to section one)</i>	
21B	231103GT	PLAT MAIN DECK ASSY, 1530 AU.....1 <i>GS-1530 (Australia) (includes items 18, 19 &amp; 20)</i>		31	96246GT	WELDMENT, ROLLER BRACKET, LT***.....1	
--	47098GT	TAPE, NON-SKID, DIE CUT, 4" X 40"		--	21279GT	BUTTON, .800 O.D. X .281	
--	47231GT	TAPE, NON-SKID, DIE CUT, 4" X 16"		32A	84586GT	LANYARD ROLLER BRKT ASSY W/DEC.....1	
21C	97118GT	PLAT MAIN DECK ASSY, 1530 SMBL.....1 <i>GS-1530 (Asia, and South America) (includes items 18, 19 &amp; 20)</i>		32B	96200GT	WLDMT, LANYARD ROLLER BRKT.....1 <i>(decals not included, refer to section one)</i>	
--	47098GT	TAPE, NON-SKID, DIE CUT, 4" X 40"		33A	231112GT	FIXED RAILS ASSY, GS30, ANSI.....1 <i>(North America)</i>	
--	47231GT	TAPE, NON-SKID, DIE CUT, 4" X 16"					



401.1 Platform Components, GS-1530 (to SN GS30P-165149)  
(continued)

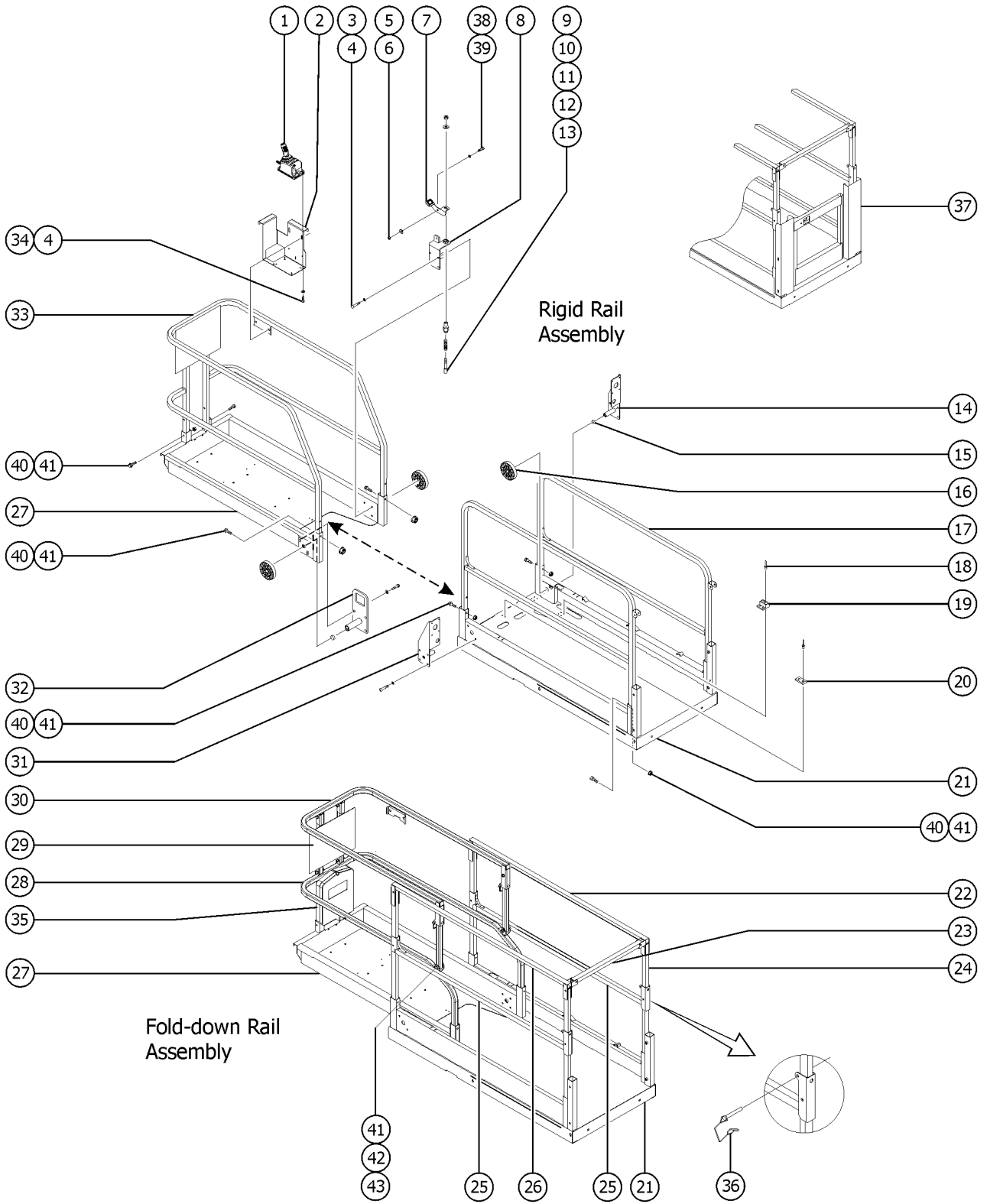
Item	Part No.	Description	Qty.
33B	231611GT	FIXED RAILS ASSY,GS30,AUSTRAL.....1 <i>(Australia)</i>	
33C	97132GT	FIXED RAILS ASSY, GS30 SYMBOL.....1 <i>(Asia, Europe and South America)</i>	
33D	96847GT	WELDMENT,EXT SIDERAIL ***.....1 <i>(decals not included, refer to section one)</i>	
34	824078GT	SCREW,HHF,1/4-20X.75,8,ZAG	
35A	44743GT	MANUAL BOX W/DECALS***.....1 <i>USA/Canada/Australia</i>	
35B	24514GT	BOX,INSTRUCTION STORAGE <i>Europe/Asia/South America (decal required; refer to Section100)</i>	
36	1259182GT	PIN,WIRE LOCK 3/8 X 2.5,ZAG.....4	
--	78022GT	LANYARD,BLACK NYLON,TYPE 1*** <i>(CE &amp; Australia models)</i>	
37		Ref. SWING GATE ASSEMBLY <i>(refer to 405.1)</i>	
38	1259223GT	BOLT,SHS,3/8X.375X5/16-18,ZAG.....1	
39	12013GT	SHIM,.375 X .063.....1	
40	824094GT	SCREW,HHF,3/8-16X2.75,8,ZAG.....5	
41	824029GT	NUT,TL FLG,3/8-16,G,ZAG.....8	
42	824094GT	SCREW,HHF,3/8-16X2.75,8,ZAG.....8	

---

401.1 Platform Components, GS-1530 (to SN GS30P-165149)  
(continued)

***This Page Intentionally Left Blank***

401.2 Platform Components, GS-1530 (from SN GS30P-165150)



401.2 Platform Components, GS-1530 (from SN GS30P-165150)

Item	Part No.	Description	Qty.	Item	Part No.	Description	Qty.
1		Ref. Platform Control Box <i>(refer to 407.1 or 408.1)</i>		21D	231104GT	PLAT MAIN DECK ASSY,1530 CE.....1 <i>GS-1530 (Europe) (includes items 18, 19 &amp; 20)</i>	
2		Ref. Platform Control Box Mount Bracket <i>(refer to 407.1 or 408.1)</i>		--	47098GT	TAPE, NON-SKID, DIE CUT, 4" X 40"	
3	5224GT	SCREW, HHC, 3/8-16 X 2		--	47231GT	TAPE, NON-SKID, DIE CUT, 4" X 16"	
4	6021GT	WASHER, LOCK, .375		21E	1259719GT	WLDMNT, PLATFORM, MINI, GS30.....1 <i>(weldment only; decals not included, refer to section one)</i>	
5	6002GT	NUT, LP NYLOCK, 5/16-18.....1		22	66890-SGT	WLDMT, MAIN SIDERAIL, UPP, RT **.....1	
6	47222GT	WASHER, SHOULDER, NYLON.....1		--	78038GT	CAP, TUBE, SQ, 1.25 X .083	
7	46260GT	FOOTPEDAL W/NON-SKID TAPE, GS**.....1		23	66886GT	ENTRY SWING TUBE.....1	
--	47166GT	BRACKET, FOOT PEDAL <i>(does not include non-skid tape)</i>		24	66485GT	TUBE, VERT, FOLDING.....6	
--	47225GT	TAPE, NON-SKID, DIE CUT, 1.38X1.5		25	1274596GT	MAIN RAIL, FOLDING, GS30.....2	
8	96413GT	WLDMT, LOCKING ROLLER SUPPORT.....1		--	78038GT	CAP, TUBE, SQ, 1.25 X .083	
9	39470GT	PIN, LOCK.....1		26	66889-SGT	WLDMT, MAIN SIDERAIL, UPPER, LFT...1	
10	39469GT	SPRING, COMPRESSION. 485 X 1.75**...1		--	78038GT	CAP, TUBE, SQ, 1.25 X .083	
11	41630GT	HOUSING, LOCK PIN.....1		--	39474GT	WEAR PAD, PLATFORM.....1	
12	1255758GT	WASHER, FLAT, 3/8, USS, ZAG		--	47374GT	TAPE, NON-SKID, DIE CUT, 4" X 32".....3	
13	824038GT	NUT, TL JAM, 3/8-16, A, ZAG		--	T113787GT	RIVET, ALUM, STL, .188 X .250.....2 <i>for 39474</i>	
14A	84587GT	ROLLER BRACKET ASSY, GRND CNTR.....1 <i>(ground controls side)</i>		27A	97123GT	PLAT EXT DECK ASSY, GS30.....1	
14B	96247GT	WELDMENT, ROLLER BRACKET, RT***.....1 <i>(decals not included, refer to section one)</i>		27B	96335GT	WELDMENT, EXT PLATFORM.....1 <i>(decals not included, refer to section one)</i>	
15	21279GT	BUTTON, .800 O.D. X .281.....3		28	1274595GT	WELDMENT, EXTENSION DECK RAIL, LOWER.....1 <i>(fold down)</i>	
16	47163GT	ROLLER, PLATFORM EXTENSION.....4		--	78038GT	CAP, TUBE, SQ, 1.25 X .083	
17	97034GT	GS30 RIDGID MAIN SIDE SQ RAIL.....2		29A	231111GT	DECAL PLATE ASSY, GS30, ANSI.....1 <i>(North America)</i>	
18	39579GT	RIVET, STL, STL, .188 X .45.....20		29B	231610GT	DECAL PLATE ASSY, GS30, AUSTRAL...1 <i>(Australia)</i>	
19	39310GT	WEAR/GUIDE PAD MAIN PLATFORM...4		29C	84590GT	DECAL PLATE ASSY W/SYM DECALS.....1 <i>(Asia, Europe and South America)</i>	
20	39474GT	WEAR PAD, PLATFORM.....2		29D	96849GT	WELDMENT, DECAL PLATE.....1 <i>(decals not included, refer to section one)</i>	
21A	97115GT	PLAT MAIN DECK ASSY, 1530 ANSI.....1 <i>GS-1530 (North America) (includes items 18, 19 &amp; 20)</i>		30	1274594GT	EXT RAIL ASSY, UPPER, GS30.....1	
--	47098GT	TAPE, NON-SKID, DIE CUT, 4" X 40"		--	78038GT	CAP, TUBE, SQ, 1.25 X .083	
--	47231GT	TAPE, NON-SKID, DIE CUT, 4" X 16"		31	96246GT	WELDMENT, ROLLER BRACKET, LT***.....1	
21B	231103GT	PLAT MAIN DECK ASSY, 1530 AU.....1 <i>GS-1530 (Australia) (includes items 18, 19 &amp; 20)</i>		--	21279GT	BUTTON, .800 O.D. X .281	
--	`	TAPE, NON-SKID, DIE CUT, 4" X 40"		32A	84586GT	LANYARD ROLLER BRKT ASSY W/DEC.....1	
--	47231GT	TAPE, NON-SKID, DIE CUT, 4" X 16"		32B	96200GT	WLDMT, LANYARD ROLLER BRKT.....1 <i>(decals not included, refer to section one)</i>	
21C	97118GT	PLAT MAIN DECK ASSY, 1530 SMBL.....1 <i>GS-1530 (Asia, and South America) (includes items 18, 19 &amp; 20)</i>		33A	231112GT	FIXED RAILS ASSY, GS30, ANSI.....1 <i>(North America)</i>	
--	47098GT	TAPE, NON-SKID, DIE CUT, 4" X 40"		33B	231611GT	FIXED RAILS ASSY, GS30, AUSTRAL....1 <i>(Australia)</i>	
--	47231GT	TAPE, NON-SKID, DIE CUT, 4" X 16"					



401.2 Platform Components, GS-1530 (from SN GS30P-165150)  
(continued)

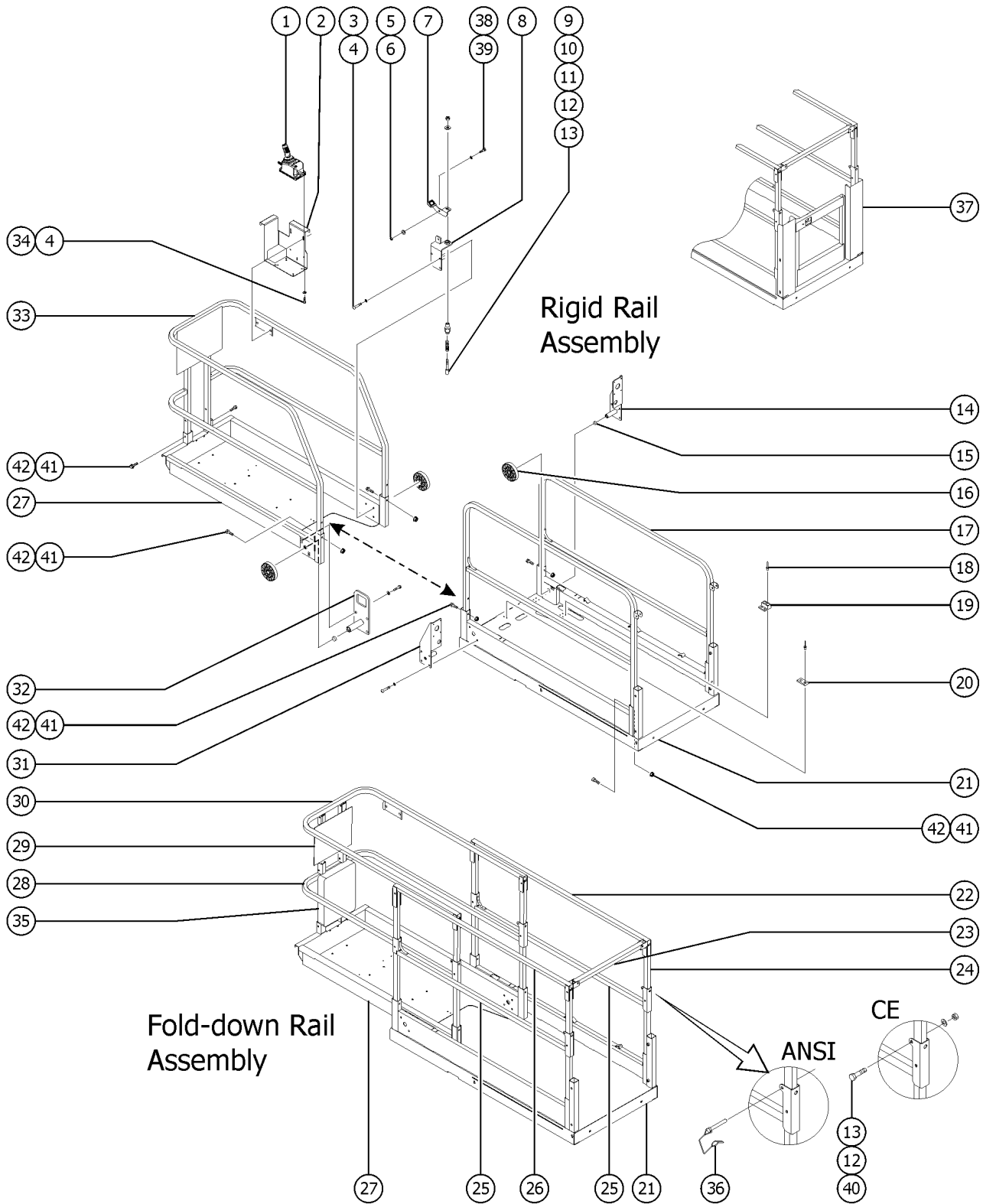
Item	Part No.	Description	Qty.
33C	97132GT	FIXED RAILS ASSY, GS30 SYMBOL.....1 <i>(Asia, Europe and South America)</i>	
33D	96847GT	WELDMENT,EXT SIDERAIL***.....1 <i>(decals not included, refer to section one)</i>	
34	824078GT	SCREW,HHF,1/4-20X.75,8,ZAG	
35A	44743GT	MANUAL BOX W/DECALS***.....1 <i>USA/Canada/Australia</i>	
35B	24514GT	BOX,INSTRUCTION STORAGE <i>Europe/Asia/South America (decal required; refer to Section100)</i>	
36	1259182GT	PIN,WIRE LOCK 3/8 X 2.5,ZAG.....5	
--	78022GT	LANYARD,BLACK NYLON,TYPE 1*** <i>(CE &amp; Australia models)</i>	
37		Ref. SWING GATE ASSEMBLY <i>(refer to 405.1)</i>	
38	1259223GT	BOLT,SHS,3/8X.375X5/16-18,ZAG.....1	
39	12013GT	SHIM,.375 X .063.....1	
40	824094GT	SCREW,HHF,3/8-16X2.75,8,ZAG.....5	
41	824029GT	NUT,TL FLG,3/8-16,G,ZAG.....10	
42	1260926GT	BOLT,CARRIAGE,3/8-16X2.25,5,ZAG.....2	
43	1277860GT	GLIDE BUTTON, FOLDING RAILS	

---

401.2 Platform Components, GS-1530 (from SN GS30P-165150)  
(continued)

***This Page Intentionally Left Blank***

402.1 Platform Components, GS-1532 (to SN GS30P-165149)



402.1 Platform Components, GS-1532 (to SN GS30P-165149)

Item	Part No.	Description	Qty.	Item	Part No.	Description	Qty.
1		Ref. Platform Control Box <i>(refer to 407.1 or 408.1)</i>		23	66886GT	ENTRY SWING TUBE.....1	
2		Ref. Platform Control Box Mount Bracket <i>(refer to 407.1 or 408.1)</i>		24	66485GT	TUBE, VERT, FOLDING.....6	
3	5224GT	SCREW,HHC,3/8-16 X 2		25	97041GT	MAIN RAIL, FOLDING, GS30.....2	
4	6021GT	WASHER,LOCK,.375		--	78038GT	CAP, TUBE, SQ,1.25 X .083	
5	6002GT	NUT,LP NYLOCK,5/16-18		26	66889-SGT	WLDMT, MAIN SIDERAIL,UPPER,LFT...1 <i>(battery pack side)</i>	
6	47222GT	WASHER,SHOULDER,NYLON.....1		--	78038GT	CAP, TUBE, SQ,1.25 X .083	
7	46260GT	FOOTPEDAL W/NON-SKID TAPE,GS**.....1		--	39474GT	WEAR PAD,PLATFORM.....1	
--	47166GT	BRACKET,FOOT PEDAL <i>(does not include non-skid tape)</i>		--	47374GT	TAPE,NON-SKID,DIE CUT,4"X 32".....3	
--	47225GT	TAPE,NON-SKID,DIE CUT,1.38X1.5		--	T113787GT	RIVET,ALUM,STL,.188 X .250.....2 <i>for 39474</i>	
8	96413GT	WLDMT,LOCKING ROLLER SUPPORT.....1		27A	97123GT	PLAT EXT DECK ASSY,GS30.....1	
9	39470GT	PIN, LOCK.....1		27B	96335GT	WELDMENT, EXT PLATFORM.....1 <i>(decals not included, refer to section one)</i>	
10	39469GT	SPRING,COMPRESSION.485 X1.75**...1		28	96336GT	WLDMT, EXT DECK LWR RAIL.....1 <i>(fold down)</i>	
11	41630GT	HOUSING, LOCK PIN.....1		--	78038GT	CAP, TUBE, SQ,1.25 X .083	
12	6097GT	WASHER,FLAT,USS,3/8",Y		29A	231111GT	DECAL PLATE ASSY,GS30,ANSI.....1 <i>(North America)</i>	
13	7713GT	NUT, LP NYLOCK, 3/8-16		29B	231610GT	DECAL PLATE ASSY,GS30,AUSTRAL...1 <i>(Australia)</i>	
14A	84587GT	ROLLER BRACKET ASSY, GRND CNTR.....1 <i>(ground controls side)</i>		29C	84590GT	DECAL PLATE ASSY W/SYM DECALS.....1 <i>(Asia, Europe and South America)</i>	
14B	96247GT	WELDMENT,ROLLER BRACKET,RT***.....1 <i>(decals not included, refer to section one)</i>		29D	96849GT	WELDMENT, DECAL PLATE.....1 <i>(decals not included, refer to section one)</i>	
15	21279GT	BUTTON, .800 O.D. X .281.....3		--	78038GT	CAP, TUBE, SQ,1.25 X .083	
16	47163GT	ROLLER,PLATFORM EXTENSION.....4		30A	97213GT	EXT RAIL ASSY, UPPER, GS30.....1	
17	97034GT	GS30 RIDGID MAIN SIDE SQ RAIL.....2		30B	96848GT	WELDMENT,EXT RAIL,UPPER***.....1 <i>(decals not included, refer to section one)</i>	
18	39579GT	RIVET,STL,STL,.188 X .45.....20		31	96246GT	WELDMENT,ROLLER BRACKET,LT***.....1	
19	39310GT	WEAR/GUIDE PAD MAIN PLATFORM...4		--	21279GT	BUTTON, .800 O.D. X .281	
20	39474GT	WEAR PAD,PLATFORM.....2		32A	84586GT	LANYARD ROLLER BRKT ASSY W/DEC.....1	
21A	231105GT	PLAT MAIN DECK ASSY,1532 AU.....1 <i>GS-1532 (Australia) (includes items 18, 19 &amp; 20)</i>		32B	96200GT	WLDMT, LANYARD ROLLER BRKT.....1 <i>(decals not included, refer to section one)</i>	
--	47098GT	TAPE,NON-SKID,DIE CUT,4"X 40"		33A	231112GT	FIXED RAILS ASSY,GS30,ANSI.....1 <i>(North America)</i>	
--	47231GT	TAPE,NON-SKID,DIE CUT,4"X 16"		33B	231611GT	FIXED RAILS ASSY,GS30,AUSTRAL.....1 <i>(Australia)</i>	
21B	231106GT	PLAT MAIN DECK ASSY,1532 CE.....1 <i>GS-1532 (Europe) (includes items 18, 19, &amp; 20)</i>		33C	97132GT	FIXED RAILS ASSY, GS30 SYMBOL <i>(Asia, Europe and South America)</i>	
--	47098GT	TAPE,NON-SKID,DIE CUT,4"X 40"		33D	96847GT	WELDMENT,EXT SIDERAIL***.....1 <i>(decals not included, refer to section one)</i>	
--	47231GT	TAPE,NON-SKID,DIE CUT,4"X 16"		34	824078GT	SCREW,HHF,1/4-20X.75,8,ZAG	
21C	1259719GT	WLDMNT,PLATFORM, MINI, GS30.....1 <i>(weldment only; decals not included, refer to section one)</i>		35A	44743GT	MANUAL BOX W/DECALS***.....1 <i>USA/Canada/Australia</i>	
22	66890-SGT	WLDMT, MAIN SIDERAIL,UPP,RT **.....1 <i>(ground controls side)</i>					
--	78038GT	CAP, TUBE, SQ,1.25 X .083					



402.1 Platform Components, GS-1532 (to SN GS30P-165149)  
(continued)

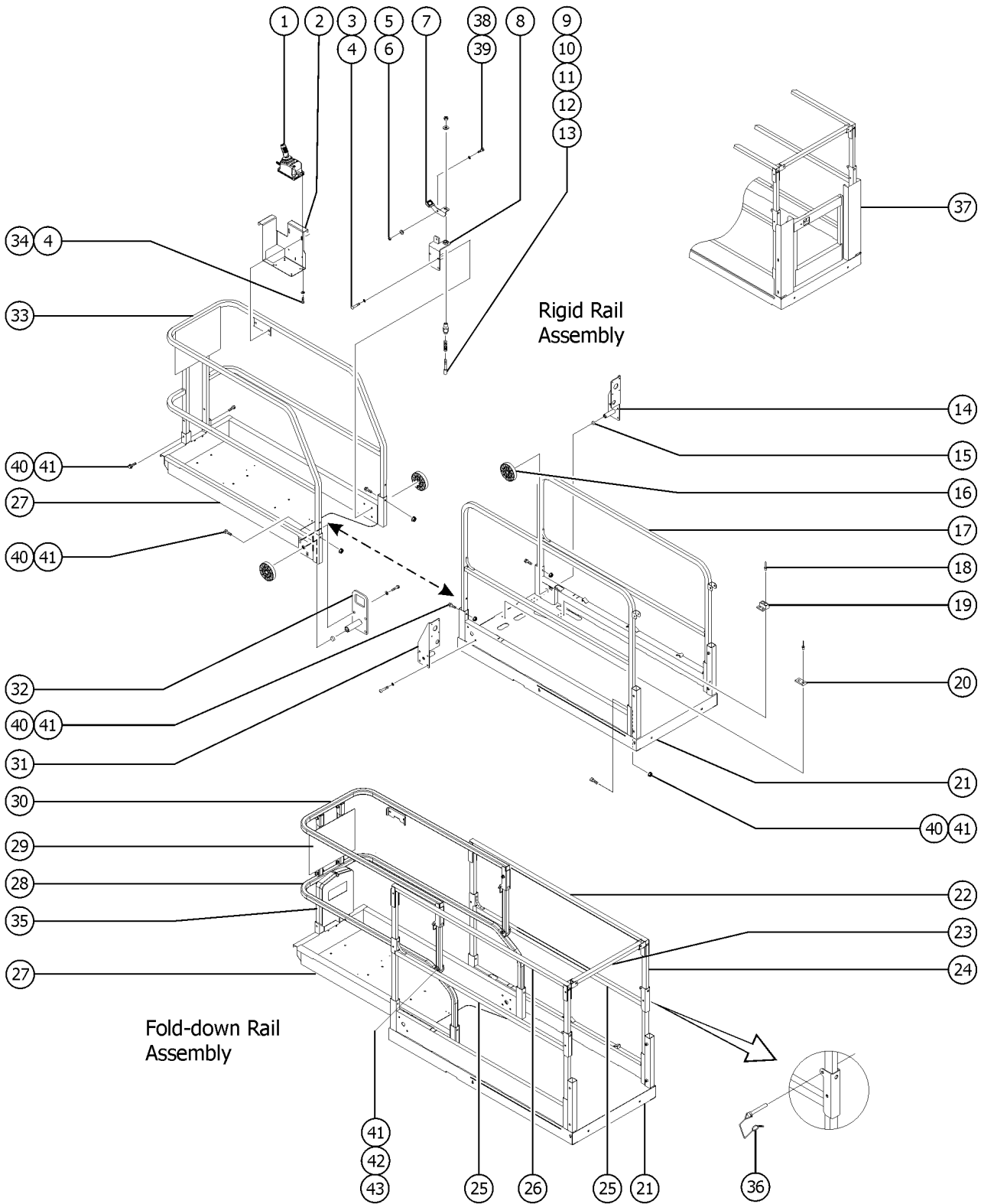
Item	Part No.	Description	Qty.
35B	24514GT	BOX,INSTRUCTION STORAGE <i>Europe/Asia/South America (decal required; refer to Section100)</i>	
36	1259182GT	PIN,WIRE LOCK 3/8 X 2.5,ZAG.....4	
--	78022GT	LANYARD,BLACK NYLON,TYPE 1*** <i>(CE &amp; Australia models)</i>	
37		Ref. SWING GATE ASSEMBLY <i>(refer to 405.1)</i>	
38	1259223GT	BOLT,SHS,3/8X.375X5/16-18,ZAG.....1	
39	12013GT	SHIM,.375 X .063.....1	
40	14033GT	SCREW,HHC,3/8-16 X 2.75.....5	
41	824029GT	NUT,TL FLG,3/8-16,G,ZAG.....8	
42	824094GT	SCREW,HHF,3/8-16X2.75,8,ZAG.....8	

---

402.1 Platform Components, GS-1532 (to SN GS30P-165149)  
(continued)

***This Page Intentionally Left Blank***

402.2 Platform Components, GS-1532 (from SN GS30P-165150)



402.2 Platform Components, GS-1532 (from SN GS30P-165150)

Item	Part No.	Description	Qty.	Item	Part No.	Description	Qty.
1		Ref. Platform Control Box <i>(refer to 407.1 or 408.1)</i>		23	66886GT	ENTRY SWING TUBE.....1	
2		Ref. Platform Control Box Mount Bracket <i>(refer to 407.1 or 408.1)</i>		24	66485GT	TUBE, VERT, FOLDING.....6	
3	5224GT	SCREW,HHC,3/8-16 X 2		25	1274596GT	MAIN RAIL, FOLDING, GS30.....2	
4	6021GT	WASHER,LOCK,.375		--	78038GT	CAP, TUBE, SQ,1.25 X .083	
5	6002GT	NUT,LP NYLOCK,5/16-18		26	66889-SGT	WLDMT, MAIN SIDERAIL,UPPER,LFT...1 <i>(battery pack side)</i>	
6	47222GT	WASHER,SHOULDER,NYLON.....1		--	78038GT	CAP, TUBE, SQ,1.25 X .083	
7	46260GT	FOOTPEDAL W/NON-SKID TAPE,GS**.....1		--	39474GT	WEAR PAD,PLATFORM.....1	
--	47166GT	BRACKET,FOOT PEDAL <i>(does not include non-skid tape)</i>		--	47374GT	TAPE,NON-SKID,DIE CUT,4"X 32".....3	
--	47225GT	TAPE,NON-SKID,DIE CUT,1.38X1.5		--	T113787GT	RIVET,ALUM,STL,.188 X .250.....2 <i>for 39474</i>	
8	96413GT	WLDMT,LOCKING ROLLER SUPPORT.....1		27A	97123GT	PLAT EXT DECK ASSY,GS30.....1	
9	39470GT	PIN, LOCK.....1		27B	96335GT	WELDMENT, EXT PLATFORM.....1 <i>(decals not included, refer to section one)</i>	
10	39469GT	SPRING,COMPRESSION.485 X1.75**...1		28	1274595GT	WELDMENT, EXTENSION DECK RAIL, LOWER.....1 <i>(fold down)</i>	
11	41630GT	HOUSING, LOCK PIN.....1		--	78038GT	CAP, TUBE, SQ,1.25 X .083	
12	6097GT	WASHER,FLAT,USS,3/8",Y		29A	231111GT	DECAL PLATE ASSY,GS30,ANSI.....1 <i>(North America)</i>	
13	7713GT	NUT, LP NYLOCK, 3/8-16		29B	231610GT	DECAL PLATE ASSY,GS30,AUSTRAL...1 <i>(Australia)</i>	
14A	84587GT	ROLLER BRACKET ASSY, GRND CNTR.....1 <i>(ground controls side)</i>		29C	84590GT	DECAL PLATE ASSY W/SYM DECALS.....1 <i>(Asia, Europe and South America)</i>	
14B	96247GT	WELDMENT,ROLLER BRACKET,RT***.....1 <i>(decals not included, refer to section one)</i>		29D	96849GT	WELDMENT, DECAL PLATE.....1 <i>(decals not included, refer to section one)</i>	
15	21279GT	BUTTON, .800 O.D. X .281.....3		30	1274594GT	EXT RAIL ASSY, UPPER, GS30.....1	
16	47163GT	ROLLER,PLATFORM EXTENSION.....4		--	78038GT	CAP, TUBE, SQ,1.25 X .083	
17	97034GT	GS30 RIDGID MAIN SIDE SQ RAIL.....2		31	96246GT	WELDMENT,ROLLER BRACKET,LT***.....1	
18	39579GT	RIVET,STL,STL,.188 X .45.....20		--	21279GT	BUTTON, .800 O.D. X .281	
19	39310GT	WEAR/GUIDE PAD MAIN PLATFORM...4		32A	84586GT	LANYARD ROLLER BRKT ASSY W/DEC.....1	
20	39474GT	WEAR PAD,PLATFORM.....2		32B	96200GT	WLDMT, LANYARD ROLLER BRKT.....1 <i>(decals not included, refer to section one)</i>	
21A	231105GT	PLAT MAIN DECK ASSY,1532 AU.....1 <i>GS-1532 (Australia) (includes items 18, 19 &amp; 20)</i>		33A	231112GT	FIXED RAILS ASSY,GS30,ANSI.....1 <i>(North America)</i>	
--	47098GT	TAPE,NON-SKID,DIE CUT,4"X 40"		33B	231611GT	FIXED RAILS ASSY,GS30,AUSTRAL....1 <i>(Australia)</i>	
--	47231GT	TAPE,NON-SKID,DIE CUT,4"X 16"		33C	97132GT	FIXED RAILS ASSY, GS30 SYMBOL <i>(Asia, Europe and South America)</i>	
21B	231106GT	PLAT MAIN DECK ASSY,1532 CE.....1 <i>GS-1532 (Europe) (includes items 18, 19, &amp; 20)</i>		33D	96847GT	WELDMENT,EXT SIDERAIL ***.....1 <i>(decals not included, refer to section one)</i>	
--	47098GT	TAPE,NON-SKID,DIE CUT,4"X 40"		34	824078GT	SCREW,HHF,1/4-20X.75,8,ZAG	
--	47231GT	TAPE,NON-SKID,DIE CUT,4"X 16"		35A	44743GT	MANUAL BOX W/DECALS***.....1 <i>USA/Canada/Australia</i>	
21C	1259719GT	WLDMNT,PLATFORM, MINI, GS30.....1 <i>(weldment only; decals not included, refer to section one)</i>		35B	24514GT	BOX,INSTRUCTION STORAGE <i>Europe/Asia/South America (decal required; refer to Section100)</i>	
22	66890-SGT	WLDMT, MAIN SIDERAIL,UPP,RT **.....1 <i>(ground controls side)</i>					
--	78038GT	CAP, TUBE, SQ,1.25 X .083					



402.2 Platform Components, GS-1532 (from SN GS30P-165150)  
(continued)

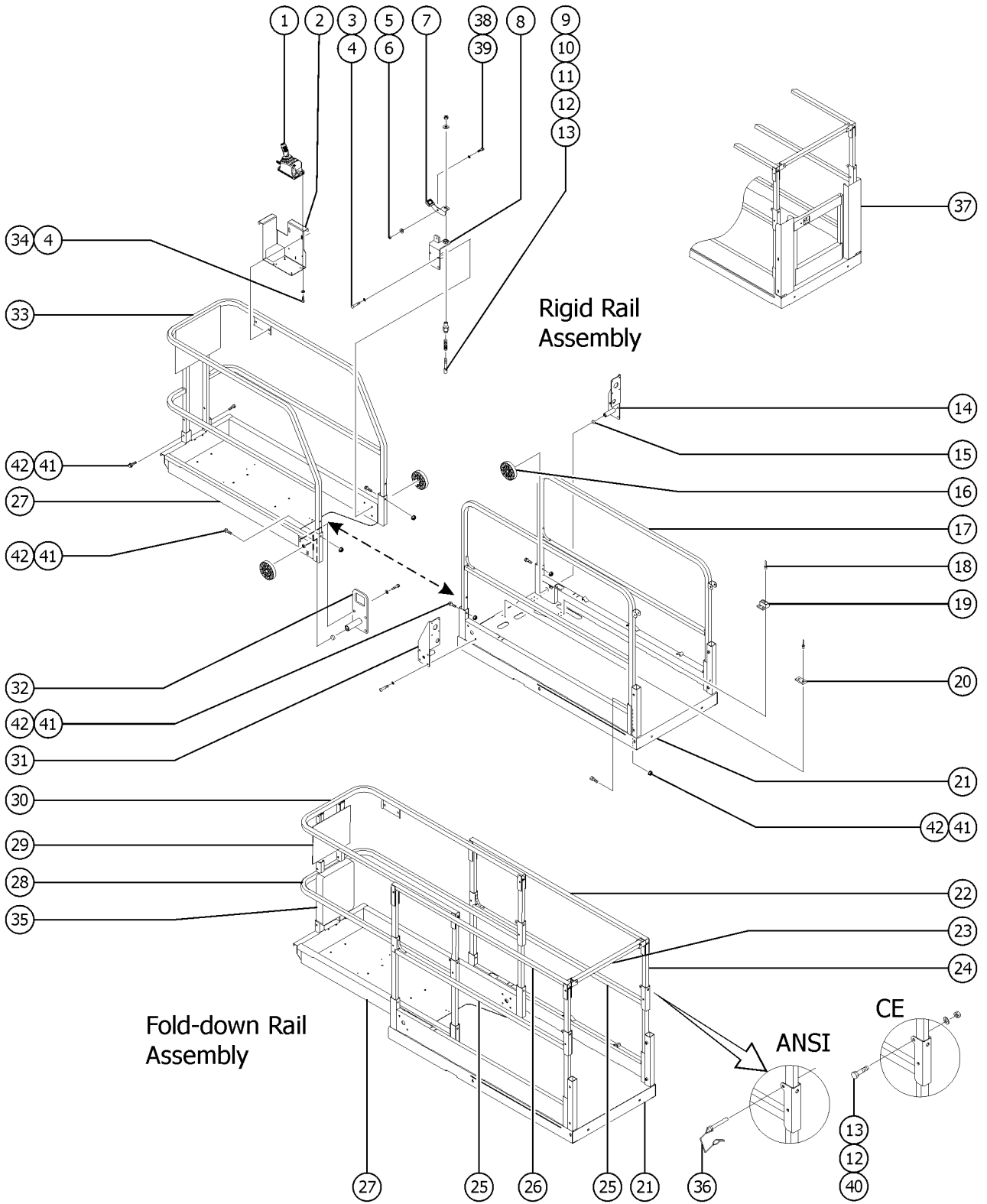
Item	Part No.	Description	Qty.
36	1259182GT	PIN,WIRE LOCK 3/8 X 2.5,ZAG.....5	
--	78022GT	LANYARD,BLACK NYLON,TYPE 1*** (CE & Australia models)	
37		Ref. SWING GATE ASSEMBLY (refer to 405.1)	
38	1259223GT	BOLT,SHS,3/8X.375X5/16-18,ZAG.....1	
39	12013GT	SHIM,.375 X .063.....1	
40	824094GT	SCREW,HHF,3/8-16X2.75,8,ZAG.....5	
41	824029GT	NUT,TL FLG,3/8-16,G,ZAG.....10	
42	1260926GT	BOLT,CARRIAGE,3/8-16X2.25,5,ZAG.....2	
43	1277860GT	GLIDE BUTTON, FOLDING RAILS.....2	

---

402.2 Platform Components, GS-1532 (from SN GS30P-165150)  
(continued)

***This Page Intentionally Left Blank***

403.1 Platform Components, GS-1930 (to SN GS30P-165149)



403.1 Platform Components, GS-1930 (to SN GS30P-165149)

Item	Part No.	Description	Qty.	Item	Part No.	Description	Qty.
1		Ref. Platform Control Box <i>(refer to 407.1 or 408.1)</i>		21D	231108GT	PLAT MAIN DECK ASSY,1930 CE.....1 GS-1930 (Europe) <i>(includes items 18, 19, &amp; 20)</i>	
2		Ref. Platform Control Box Mount Bracket <i>(refer to 407.1 or 408.1)</i>		--	47098GT	TAPE, NON-SKID, DIE CUT, 4" X 40"	
3	5224GT	SCREW, HHC, 3/8-16 X 2		--	47231GT	TAPE, NON-SKID, DIE CUT, 4" X 16"	
4	6021GT	WASHER, LOCK, .375		21E	1259719GT	WLDMNT, PLATFORM, MINI, GS30.....1 <i>replaced 96275 from SN 110000 (weldment only; decals not included, refer to section one)</i>	
5	6002GT	NUT, LP NYLOCK, 5/16-18		22	66890-SGT	WLDMT, MAIN SIDERAIL, UPP, RT **.....1 <i>(ground controls side)</i>	
6	47222GT	WASHER, SHOULDER, NYLON.....1		--	78038GT	CAP, TUBE, SQ, 1.25 X .083	
7	46260GT	FOOTPEDAL W/NON-SKID TAPE, GS**.....1		23	66886GT	ENTRY SWING TUBE.....1	
--	47166GT	BRACKET, FOOT PEDAL <i>(does not include non-skid tape)</i>		24	66485GT	TUBE, VERT, FOLDING.....6	
--	47225GT	TAPE, NON-SKID, DIE CUT, 1.38X1.5		25	97041GT	MAIN RAIL, FOLDING, GS30.....2	
8	96413GT	WLDMT, LOCKING ROLLER SUPPORT.....1		--	78038GT	CAP, TUBE, SQ, 1.25 X .083	
9	39470GT	PIN, LOCK.....1		26	66889-SGT	WLDMT, MAIN SIDERAIL, UPPER, LFT...1 <i>(battery pack side)</i>	
10	39469GT	SPRING, COMPRESSION. 485 X 1.75**...1		--	78038GT	CAP, TUBE, SQ, 1.25 X .083	
11	41630GT	HOUSING, LOCK PIN.....1		--	39474GT	WEAR PAD, PLATFORM.....1	
12	6097GT	WASHER, FLAT, USS, 3/8", Y		--	47374GT	TAPE, NON-SKID, DIE CUT, 4" X 32".....3	
13	7713GT	NUT, LP NYLOCK, 3/8-16		--	T113787GT	RIVET, ALUM, STL, .188 X .250.....2 <i>for 39474</i>	
14A	84587GT	ROLLER BRACKET ASSY, GRND CNTR.....1 <i>(ground controls side)</i>		27A	97123GT	PLAT EXT DECK ASSY, GS30.....1	
14B	96247GT	WELDMENT, ROLLER BRACKET, RT***.....1 <i>(decals not included, refer to section one)</i>		27B	96335GT	WELDMENT, EXT PLATFORM.....1 <i>(decals not included, refer to section one)</i>	
15	21279GT	BUTTON, .800 O.D. X .281.....3		28	96336GT	WLDMT, EXT DECK LWR RAIL.....1 <i>(fold down)</i>	
16	47163GT	ROLLER, PLATFORM EXTENSION.....4		--	78038GT	CAP, TUBE, SQ, 1.25 X .083	
17	97034GT	GS30 RIDGID MAIN SIDE SQ RAIL.....2		29A	231111GT	DECAL PLATE ASSY, GS30, ANSI.....1 <i>(North America)</i>	
18	39579GT	RIVET, STL, STL, .188 X .45.....20		29B	231610GT	DECAL PLATE ASSY, GS30, AUSTRAL...1	
19	39310GT	WEAR/GUIDE PAD MAIN PLATFORM...4		29C	84590GT	DECAL PLATE ASSY W/SYM DECALS.....1	
20	39474GT	WEAR PAD, PLATFORM.....2		29D	96849GT	WELDMENT, DECAL PLATE.....1 <i>(decals not included, refer to section one)</i>	
21A	97119GT	PLAT MAIN DECK ASSY, 1930 ANSI.....1 GS-1930 (North America) <i>(includes items 18, 19 &amp; 20)</i>		--	78038GT	CAP, TUBE, SQ, 1.25 X .083	
--	47098GT	TAPE, NON-SKID, DIE CUT, 4" X 40"		30A	97213GT	EXT RAIL ASSY, UPPER, GS30.....1	
--	47231GT	TAPE, NON-SKID, DIE CUT, 4" X 16"		30B	96848GT	WELDMENT, EXT RAIL, UPPER***.....1 <i>(decals not included, refer to section one)</i>	
21B	231107GT	PLAT MAIN DECK ASSY, 1930 AU.....1 GS-1930 (Australia) <i>(includes items 18, 19 &amp; 20)</i>		31	96246GT	WELDMENT, ROLLER BRACKET, LT***.....1	
--	47098GT	TAPE, NON-SKID, DIE CUT, 4" X 40"		--	21279GT	BUTTON, .800 O.D. X .281	
--	47231GT	TAPE, NON-SKID, DIE CUT, 4" X 16"		32A	84586GT	LANYARD ROLLER BRKT ASSY W/DEC.....1	
21C	97122GT	PLAT MAIN DECK ASSY, 1930 SMBL.....1 GS-1930 (Asia and South America) <i>(includes items 18, 19 &amp; 20)</i>		32B	96200GT	WLDMT, LANYARD ROLLER BRKT.....1 <i>(decals not included, refer to section one)</i>	
--	47098GT	TAPE, NON-SKID, DIE CUT, 4" X 40"		33A	231112GT	FIXED RAILS ASSY, GS30, ANSI.....1 <i>(North America)</i>	
--	47231GT	TAPE, NON-SKID, DIE CUT, 4" X 16"					



### 403.1 Platform Components, GS-1930 (to SN GS30P-165149) (continued)

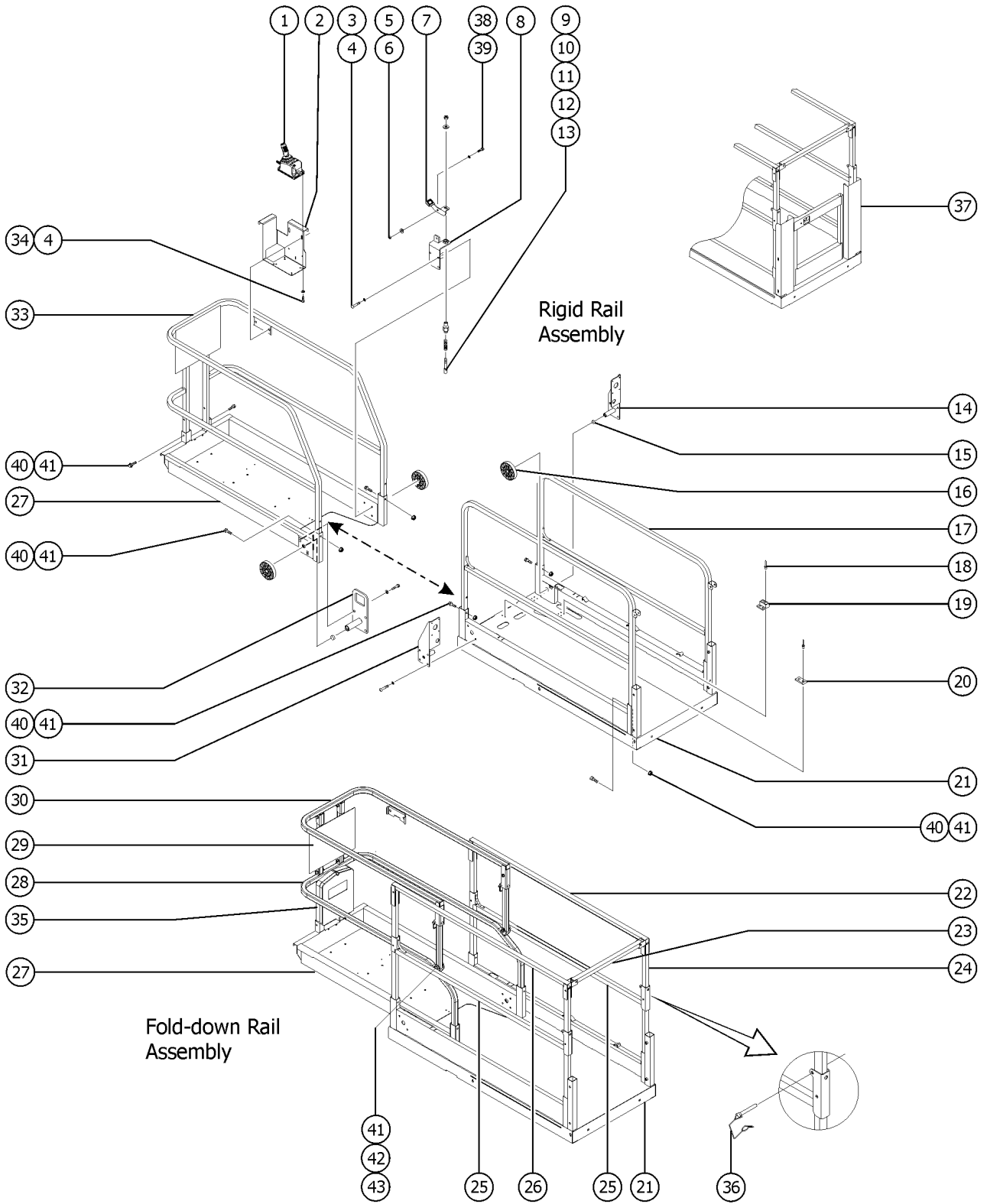
Item	Part No.	Description	Qty.
33B	231611GT	FIXED RAILS ASSY,GS30,AUSTRAL.....1	
33C	97132GT	FIXED RAILS ASSY, GS30 SYMBOL.....1	
33D	96847GT	WELDMENT,EXT SIDERAIL***.....1 <i>(decals not included, refer to section one)</i>	
34	824078GT	SCREW,HHF,1/4-20X.75,8,ZAG	
35A	44743GT	MANUAL BOX W/DECALS***.....1 <i>USA/Canada/Australia</i>	
35B	24514GT	BOX,INSTRUCTION STORAGE <i>Europe/Asia/South America (decal required; refer to Section100)</i>	
36	1259182GT	PIN,WIRE LOCK 3/8 X 2.5,ZAG.....4	
--	78022GT	LANYARD,BLACK NYLON,TYPE 1*** <i>(CE &amp; Australia models)</i>	
37		Ref. SWING GATE ASSEMBLY <i>(refer to 405.1)</i>	
38	1259223GT	BOLT,SHS,3/8X.375X5/16-18,ZAG.....1	
39	12013GT	SHIM,.375 X .063.....1	
40	14033GT	SCREW,HHC,3/8-16 X 2.75.....5	
41	824029GT	NUT,TL FLG,3/8-16,G,ZAG.....8	
42	824094GT	SCREW,HHF,3/8-16X2.75,8,ZAG.....8	

---

403.1 Platform Components, GS-1930 (to SN GS30P-165149)  
(continued)

***This Page Intentionally Left Blank***

403.2 Platform Components, GS-1930 (from SN GS30P-165150)



403.2 Platform Components, GS-1930 (from SN GS30P-165150)

Item	Part No.	Description	Qty.	Item	Part No.	Description	Qty.
1		Ref. Platform Control Box <i>(refer to 407.1 or 408.1)</i>		21D	231108GT	PLAT MAIN DECK ASSY,1930 CE.....1 GS-1930 (Europe) <i>(includes items 18, 19, &amp; 20)</i>	
2		Ref. Platform Control Box Mount Bracket <i>(refer to 407.1 or 408.1)</i>		--	47098GT	TAPE, NON-SKID, DIE CUT, 4" X 40"	
3	5224GT	SCREW, HHC, 3/8-16 X 2		--	47231GT	TAPE, NON-SKID, DIE CUT, 4" X 16"	
4	6021GT	WASHER, LOCK, .375		21E	1259719GT	WLDMNT, PLATFORM, MINI, GS30.....1 <i>(weldment only; decals not included, refer to section one)</i>	
5	6002GT	NUT, LP NYLOCK, 5/16-18		22	66890-SGT	WLDMT, MAIN SIDERAIL, UPP, RT **.....1 <i>(ground controls side)</i>	
6	47222GT	WASHER, SHOULDER, NYLON.....1		--	78038GT	CAP, TUBE, SQ, 1.25 X .083	
7	46260GT	FOOTPEDAL W/NON-SKID TAPE, GS**.....1		23	66886GT	ENTRY SWING TUBE.....1	
--	47166GT	BRACKET, FOOT PEDAL <i>(does not include non-skid tape)</i>		24	66485GT	TUBE, VERT, FOLDING.....6	
--	47225GT	TAPE, NON-SKID, DIE CUT, 1.38X1.5		25	1274596GT	MAIN RAIL, FOLDING, GS30.....2	
8	96413GT	WLDMT, LOCKING ROLLER SUPPORT.....1		--	78038GT	CAP, TUBE, SQ, 1.25 X .083	
9	39470GT	PIN, LOCK.....1		26	66889-SGT	WLDMT, MAIN SIDERAIL, UPPER, LFT...1 <i>(battery pack side)</i>	
10	39469GT	SPRING, COMPRESSION. 485 X 1.75**...1		--	78038GT	CAP, TUBE, SQ, 1.25 X .083	
11	41630GT	HOUSING, LOCK PIN.....1		--	39474GT	WEAR PAD, PLATFORM.....1	
12	6097GT	WASHER, FLAT, USS, 3/8", Y		--	47374GT	TAPE, NON-SKID, DIE CUT, 4" X 32".....3	
13	7713GT	NUT, LP NYLOCK, 3/8-16		--	T113787GT	RIVET, ALUM, STL, .188 X .250.....2 <i>for 39474</i>	
14A	84587GT	ROLLER BRACKET ASSY, GRND CNTR.....1 <i>(ground controls side)</i>		27A	97123GT	PLAT EXT DECK ASSY, GS30.....1	
14B	96247GT	WELDMENT, ROLLER BRACKET, RT***.....1 <i>(decals not included, refer to section one)</i>		27B	96335GT	WELDMENT, EXT PLATFORM.....1 <i>(decals not included, refer to section one)</i>	
15	21279GT	BUTTON, .800 O.D. X .281.....3		28	1274595GT	WELDMENT, EXTENSION DECK RAIL, LOWER.....1 <i>(fold down)</i>	
16	47163GT	ROLLER, PLATFORM EXTENSION.....4		--	78038GT	CAP, TUBE, SQ, 1.25 X .083	
17	97034GT	GS30 RIDGID MAIN SIDE SQ RAIL.....2		29A	231111GT	DECAL PLATE ASSY, GS30, ANSI.....1 <i>(North America)</i>	
18	39579GT	RIVET, STL, STL, .188 X .45.....20		29B	231610GT	DECAL PLATE ASSY, GS30, AUSTRAL...1	
19	39310GT	WEAR/GUIDE PAD MAIN PLATFORM...4		29C	84590GT	DECAL PLATE ASSY W/SYM DECALS.....1	
20	39474GT	WEAR PAD, PLATFORM.....2		29D	96849GT	WELDMENT, DECAL PLATE.....1 <i>(decals not included, refer to section one)</i>	
21A	97119GT	PLAT MAIN DECK ASSY, 1930 ANSI.....1 GS-1930 (North America) <i>(includes items 18, 19 &amp; 20)</i>		30	1274594GT	EXT RAIL ASSY, UPPER, GS30.....1	
--	47098GT	TAPE, NON-SKID, DIE CUT, 4" X 40"		--	78038GT	CAP, TUBE, SQ, 1.25 X .083	
--	47231GT	TAPE, NON-SKID, DIE CUT, 4" X 16"		31	96246GT	WELDMENT, ROLLER BRACKET, LT***.....1	
21B	231107GT	PLAT MAIN DECK ASSY, 1930 AU.....1 GS-1930 (Australia) <i>(includes items 18, 19 &amp; 20)</i>		--	21279GT	BUTTON, .800 O.D. X .281	
--	47098GT	TAPE, NON-SKID, DIE CUT, 4" X 40"		32A	84586GT	LANYARD ROLLER BRKT ASSY W/DEC.....1	
--	47231GT	TAPE, NON-SKID, DIE CUT, 4" X 16"		32B	96200GT	WLDMT, LANYARD ROLLER BRKT.....1 <i>(decals not included, refer to section one)</i>	
21C	97122GT	PLAT MAIN DECK ASSY, 1930 SMBL.....1 GS-1930 (Asia and South America) <i>(includes items 18, 19 &amp; 20)</i>		33A	231112GT	FIXED RAILS ASSY, GS30, ANSI.....1 <i>(North America)</i>	
--	47098GT	TAPE, NON-SKID, DIE CUT, 4" X 40"		33B	231611GT	FIXED RAILS ASSY, GS30, AUSTRAL.....1	
--	47231GT	TAPE, NON-SKID, DIE CUT, 4" X 16"					



### 403.2 Platform Components, GS-1930 (from SN GS30P-165150) (continued)

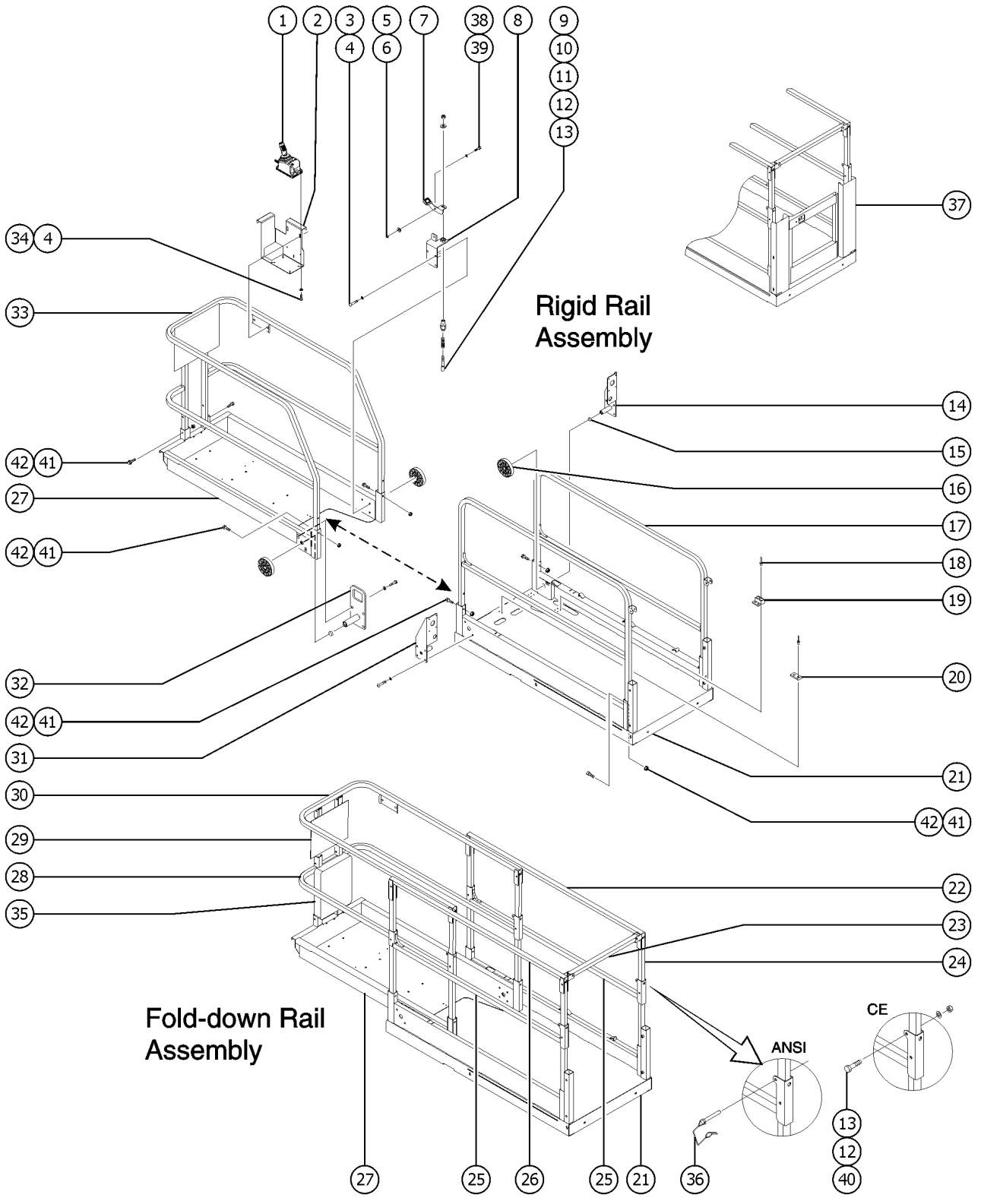
Item	Part No.	Description	Qty.
33C	97132GT	FIXED RAILS ASSY, GS30 SYMBOL.....1	
33D	96847GT	WELDMENT,EXT SIDERAIL***.....1 <i>(decals not included, refer to section one)</i>	
34	824078GT	SCREW,HHF,1/4-20X.75,8,ZAG	
35A	44743GT	MANUAL BOX W/DECALS***.....1 <i>USA/Canada/Australia</i>	
35B	24514GT	BOX,INSTRUCTION STORAGE <i>Europe/Asia/South America (decal required; refer to Section100)</i>	
36	1259182GT	PIN,WIRE LOCK 3/8 X 2.5,ZAG.....5	
--	78022GT	LANYARD,BLACK NYLON,TYPE 1*** <i>(CE &amp; Australia models)</i>	
37		Ref. SWING GATE ASSEMBLY <i>(refer to 405.1)</i>	
38	1259223GT	BOLT,SHS,3/8X.375X5/16-18,ZAG.....1	
39	12013GT	SHIM,.375 X .063.....1	
40	824094GT	SCREW,HHF,3/8-16X2.75,8,ZAG.....5	
41	824029GT	NUT,TL FLG,3/8-16,G,ZAG.....10	
42	1260926GT	BOLT,CARRIAGE,3/8-16X2.25,5,ZAG.....2	
43	1277860GT	GLIDE BUTTON, FOLDING RAILS.....2	

---

403.2 Platform Components, GS-1930 (from SN GS30P-165150)  
(continued)

***This Page Intentionally Left Blank***

404.1 Platform Components, GS-1932 (to SN GS30P-165149)



404.1 Platform Components, GS-1932 (to SN GS30P-165149)

Item	Part No.	Description	Qty.	Item	Part No.	Description	Qty.
1		Ref. Platform Control Box <i>(refer to 407.1 or 408.1)</i>		22	66890-SGT	WLDMT, MAIN SIDERAIL,UPP,RT **.....1 <i>(ground controls side)</i>	
2		Ref. Platform Control Box Mount Bracket <i>(refer to 407.1 or 408.1)</i>		--	78038GT	CAP, TUBE, SQ,1.25 X .083	
3	5224GT	SCREW,HHC,3/8-16 X 2		23	66886GT	ENTRY SWING TUBE.....1	
4	6021GT	WASHER,LOCK, .375		24	66485GT	TUBE, VERT, FOLDING.....6	
5	6002GT	NUT,LP NYLOCK,5/16-18		25	97041GT	MAIN RAIL, FOLDING, GS30.....2	
6	47222GT	WASHER,SHOULDER,NYLON.....1		--	78038GT	CAP, TUBE, SQ,1.25 X .083	
7	46260GT	FOOTPEDAL W/NON-SKID TAPE,GS** .....1		26	66889-SGT	WLDMT, MAIN SIDERAIL,UPPER,LFT...1 <i>(battery pack side)</i>	
--	47166GT	BRACKET,FOOT PEDAL <i>(does not include non-skid tape)</i>		--	78038GT	CAP, TUBE, SQ,1.25 X .083	
--	47225GT	TAPE,NON-SKID,DIE CUT,1.38X1.5		--	39474GT	WEAR PAD,PLATFORM.....1	
8	96413GT	WLDMT,LOCKING ROLLER SUPPORT.....1		--	47374GT	TAPE,NON-SKID,DIE CUT,4"X 32".....3	
9	39470GT	PIN, LOCK.....1		--	T113787GT	RIVET,ALUM,STL,.188 X .250.....2 <i>for 39474</i>	
10	39469GT	SPRING,COMPRESSION.485 X1.75**...1		27A	97123GT	PLAT EXT DECK ASSY,GS30.....1	
11	41630GT	HOUSING, LOCK PIN.....1		27B	96335GT	WELDMENT, EXT PLATFORM.....1 <i>(decals not included, refer to section one)</i>	
12	6097GT	WASHER,FLAT,USS,3/8",Y		28	96336GT	WLDMT, EXT DECK LWR RAIL.....1 <i>(fold down)</i>	
13	7713GT	NUT, LP NYLOCK, 3/8-16		--	78038GT	CAP, TUBE, SQ,1.25 X .083	
14A	84587GT	ROLLER BRACKET ASSY, GRND CNTR.....1 <i>(ground controls side)</i>		29A	231111GT	DECAL PLATE ASSY,GS30,ANSI.....1 <i>(North America)</i>	
14B	96247GT	WELDMENT,ROLLER BRACKET,RT*** .....1 <i>(decals not included, refer to section one)</i>		29B	231610GT	DECAL PLATE ASSY,GS30,AUSTRAL...1 <i>(Australia)</i>	
15	21279GT	BUTTON, .800 O.D. X .281.....3		29C	84590GT	DECAL PLATE ASSY W/SYM DECALS.....1 <i>(Asia, Europe and South America)</i>	
16	47163GT	ROLLER,PLATFORM EXTENSION.....4		29D	96849GT	WELDMENT, DECAL PLATE.....1 <i>(decals not included, refer to section one)</i>	
17	97034GT	GS30 RIDGID MAIN SIDE SQ RAIL.....2		--	78038GT	CAP, TUBE, SQ,1.25 X .083	
18	39579GT	RIVET,STL,STL,.188 X .45.....20		30A	97213GT	EXT RAIL ASSY, UPPER, GS30.....1	
19	39310GT	WEAR/GUIDE PAD MAIN PLATFORM...4		30B	96848GT	WELDMENT,EXT RAIL,UPPER*** .....1 <i>(decals not included, refer to section one)</i>	
20	39474GT	WEAR PAD,PLATFORM.....2		31	96246GT	WELDMENT,ROLLER BRACKET,LT*** .....1	
21A	231109GT	PLAT MAIN DECK ASSY,1932 AU.....1 <i>GS-1932 (Australia) (includes items 18, 19 &amp; 20)</i>		--	21279GT	BUTTON, .800 O.D. X .281	
--	47098GT	TAPE,NON-SKID,DIE CUT,4"X 40".....4		32A	84586GT	LANYARD ROLLER BRKT ASSY W/DEC.....1	
--	47231GT	TAPE,NON-SKID,DIE CUT,4"X 16".....2		32B	96200GT	WLDMT, LANYARD ROLLER BRKT.....1 <i>(decals not included, refer to section one)</i>	
21B	231110GT	PLAT MAIN DECK ASSY,1932 CE.....1 <i>GS-1932 (Europe) (includes items 18, 19 &amp; 20)</i>		33A	231112GT	FIXED RAILS ASSY,GS30,ANSI.....1 <i>(North America)</i>	
--	47098GT	TAPE,NON-SKID,DIE CUT,4"X 40".....4		33B	231611GT	FIXED RAILS ASSY,GS30,AUSTRAL....1 <i>(Australia)</i>	
--	47231GT	TAPE,NON-SKID,DIE CUT,4"X 16".....2		33C	97132GT	FIXED RAILS ASSY, GS30 SYMBOL.....1 <i>(Asia, Europe and South America)</i>	
21C	96275GT	WELDMENT, PLATFORM, MAIN <i>to SN 109999 (weldment only, decals not included, refer to section one)</i>		33D	96847GT	WELDMENT,EXT SIDERAIL*** .....1 <i>(decals not included, refer to section one)</i>	
21D	1259719GT	WLDMNT,PLATFORM, MINI, GS30 <i>from SN 110000 (weldment only, decals not included, refer to section one)</i>		34	824078GT	SCREW,HHC,1/4-20X.75,8,ZAG	



### 404.1 Platform Components, GS-1932 (to SN GS30P-165149) (continued)

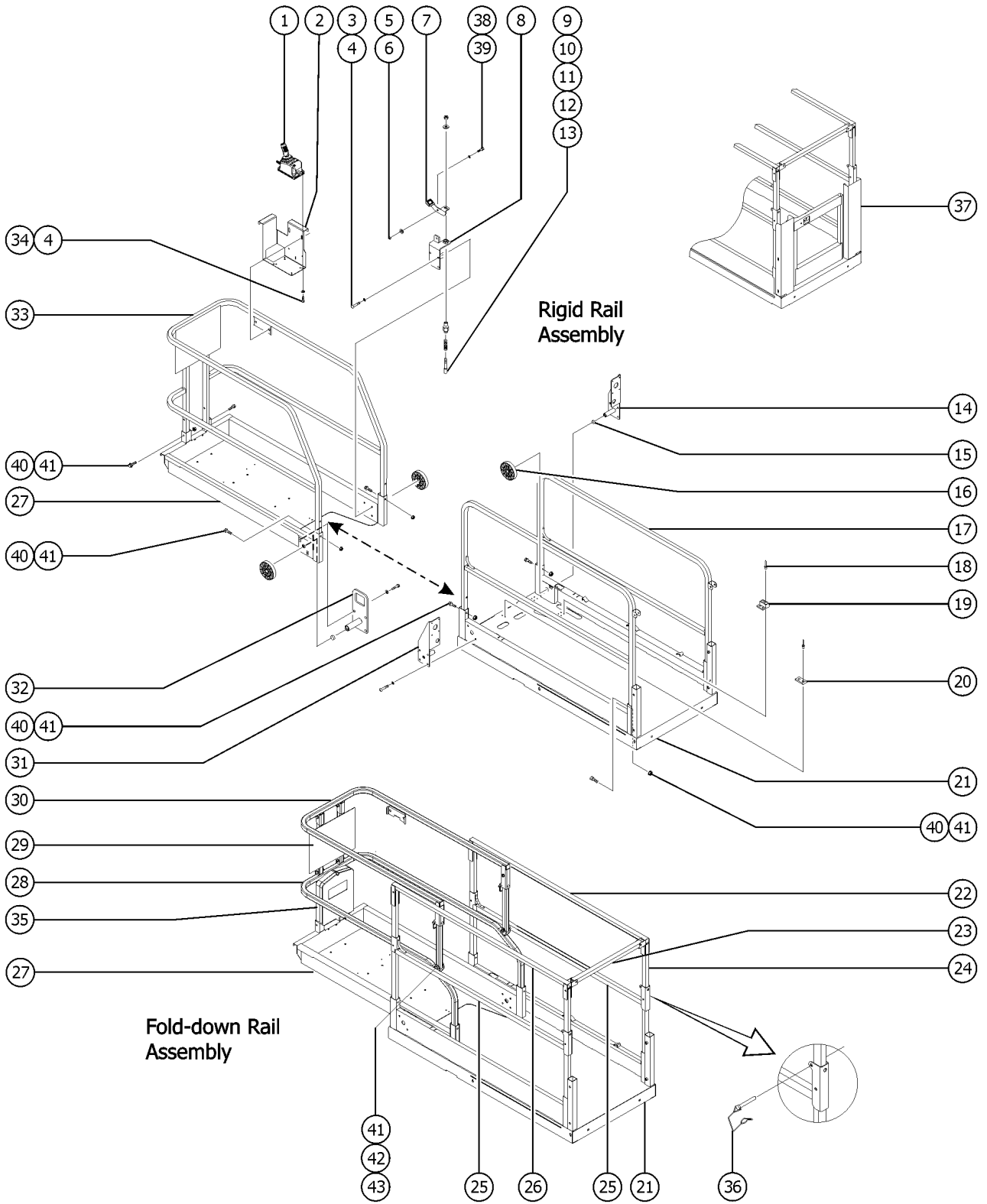
Item	Part No.	Description	Qty.
35A	44743GT	MANUAL BOX W/DECALS*** <i>USA/Canada/Australia</i> .....	1
35B	24514GT	BOX,INSTRUCTION STORAGE <i>Europe/Asia/South America (decal required; refer to Section100)</i>	
36	1259182GT	PIN,WIRE LOCK 3/8 X 2.5,ZAG.....	4
--	78022GT	LANYARD,BLACK NYLON,TYPE 1*** <i>(CE &amp; Australia models)</i>	
37		Ref. SWING GATE ASSEMBLY <i>(refer to 405.1)</i>	
38	1259223GT	BOLT,SHS,3/8X.375X5/16-18,ZAG.....	1
39	12013GT	SHIM,.375 X .063.....	1
40	14033GT	SCREW,HHC,3/8-16 X 2.75.....	5
41	824029GT	NUT,TL FLG,3/8-16,G,ZAG.....	8
42	824094GT	SCREW,HHF,3/8-16X2.75,8,ZAG.....	8

---

404.1 Platform Components, GS-1932 (to SN GS30P-165149)  
(continued)

***This Page Intentionally Left Blank***

404.2 Platform Components, GS-1932 (from SN GS30P-165150)



404.2 Platform Components, GS-1932 (from SN GS30P-165150)

Item	Part No.	Description	Qty.	Item	Part No.	Description	Qty.
1		Ref. Platform Control Box <i>(refer to 407.1 or 408.1)</i>		23	66886GT	ENTRY SWING TUBE.....1	
2		Ref. Platform Control Box Mount Bracket <i>(refer to 407.1 or 408.1)</i>		24	66485GT	TUBE, VERT, FOLDING.....6	
3	5224GT	SCREW,HHC,3/8-16 X 2		25	1274596GT	MAIN RAIL, FOLDING, GS30.....2	
4	6021GT	WASHER,LOCK,.375		--	78038GT	CAP, TUBE, SQ,1.25 X .083	
5	6002GT	NUT,LP NYLOCK,5/16-18		26	66889-SGT	WLDMT, MAIN SIDERAIL,UPPER,LFT...1 <i>(battery pack side)</i>	
6	47222GT	WASHER,SHOULDER,NYLON.....1		--	78038GT	CAP, TUBE, SQ,1.25 X .083	
7	46260GT	FOOTPEDAL W/NON-SKID TAPE,GS**.....1		--	39474GT	WEAR PAD,PLATFORM.....1	
--	47166GT	BRACKET,FOOT PEDAL <i>(does not include non-skid tape)</i>		--	47374GT	TAPE,NON-SKID,DIE CUT,4"X 32".....3	
--	47225GT	TAPE,NON-SKID,DIE CUT,1.38X1.5		--	T113787GT	RIVET,ALUM,STL,.188 X .250.....2 <i>for 39474</i>	
8	96413GT	WLDMT,LOCKING ROLLER SUPPORT.....1		27A	97123GT	PLAT EXT DECK ASSY,GS30.....1	
9	39470GT	PIN, LOCK.....1		27B	96335GT	WELDMENT, EXT PLATFORM.....1 <i>(decals not included, refer to section one)</i>	
10	39469GT	SPRING,COMPRESSION.485 X1.75**...1		28	1274595GT	WELDMENT, EXTENSION DECK RAIL, LOWER.....1 <i>(fold down)</i>	
11	41630GT	HOUSING, LOCK PIN.....1		--	78038GT	CAP, TUBE, SQ,1.25 X .083	
12	6097GT	WASHER,FLAT,USS,3/8",Y		29A	231111GT	DECAL PLATE ASSY,GS30,ANSI.....1 <i>(North America)</i>	
13	7713GT	NUT, LP NYLOCK, 3/8-16		29B	231610GT	DECAL PLATE ASSY,GS30,AUSTRAL...1 <i>(Australia)</i>	
14A	84587GT	ROLLER BRACKET ASSY, GRND CNTR.....1 <i>(ground controls side)</i>		29C	84590GT	DECAL PLATE ASSY W/SYM DECALS.....1 <i>(Asia, Europe and South America)</i>	
14B	96247GT	WELDMENT,ROLLER BRACKET,RT***.....1 <i>(decals not included, refer to section one)</i>		29D	96849GT	WELDMENT, DECAL PLATE.....1 <i>(decals not included, refer to section one)</i>	
15	21279GT	BUTTON, .800 O.D. X .281.....3		30	1274594GT	EXT RAIL ASSY, UPPER, GS30.....1	
16	47163GT	ROLLER,PLATFORM EXTENSION.....4		--	78038GT	CAP, TUBE, SQ,1.25 X .083	
17	97034GT	GS30 RIDGID MAIN SIDE SQ RAIL.....2		31	96246GT	WELDMENT,ROLLER BRACKET,LT***.....1	
18	39579GT	RIVET,STL,STL,.188 X .45.....20		--	21279GT	BUTTON, .800 O.D. X .281	
19	39310GT	WEAR/GUIDE PAD MAIN PLATFORM...4		32A	84586GT	LANYARD ROLLER BRKT ASSY W/DEC.....1	
20	39474GT	WEAR PAD,PLATFORM.....2		32B	96200GT	WLDMT, LANYARD ROLLER BRKT.....1 <i>(decals not included, refer to section one)</i>	
21A	231109GT	PLAT MAIN DECK ASSY,1932 AU.....1 <i>GS-1932 (Australia) (includes items 18, 19 &amp; 20)</i>		33A	231112GT	FIXED RAILS ASSY,GS30,ANSI.....1 <i>(North America)</i>	
--	47098GT	TAPE,NON-SKID,DIE CUT,4"X 40".....4		33B	231611GT	FIXED RAILS ASSY,GS30,AUSTRAL....1 <i>(Australia)</i>	
--	47231GT	TAPE,NON-SKID,DIE CUT,4"X 16".....2		33C	97132GT	FIXED RAILS ASSY, GS30 SYMBOL....1 <i>(Asia, Europe and South America)</i>	
21B	231110GT	PLAT MAIN DECK ASSY,1932 CE.....1 <i>GS-1932 (Europe) (includes items 18, 19 &amp; 20)</i>		33D	96847GT	WELDMENT,EXT SIDERAIL ***.....1 <i>(decals not included, refer to section one)</i>	
--	47098GT	TAPE,NON-SKID,DIE CUT,4"X 40".....4		34	824078GT	SCREW,HHF,1/4-20X.75,8,ZAG	
--	47231GT	TAPE,NON-SKID,DIE CUT,4"X 16".....2		35A	44743GT	MANUAL BOX W/DECALS***.....1 <i>USA/Canada/Australia</i>	
21C	1259719GT	WLDMNT,PLATFORM, MINI, GS30 <i>(weldment only, decals not included, refer to section one)</i>		35B	24514GT	BOX,INSTRUCTION STORAGE <i>Europe/Asia/South America (decal required; refer to Section100)</i>	
22	66890-SGT	WLDMT, MAIN SIDERAIL,UPP,RT **.....1 <i>(ground controls side)</i>					
--	78038GT	CAP, TUBE, SQ,1.25 X .083					



404.2 Platform Components, GS-1932 (from SN GS30P-165150)  
(continued)

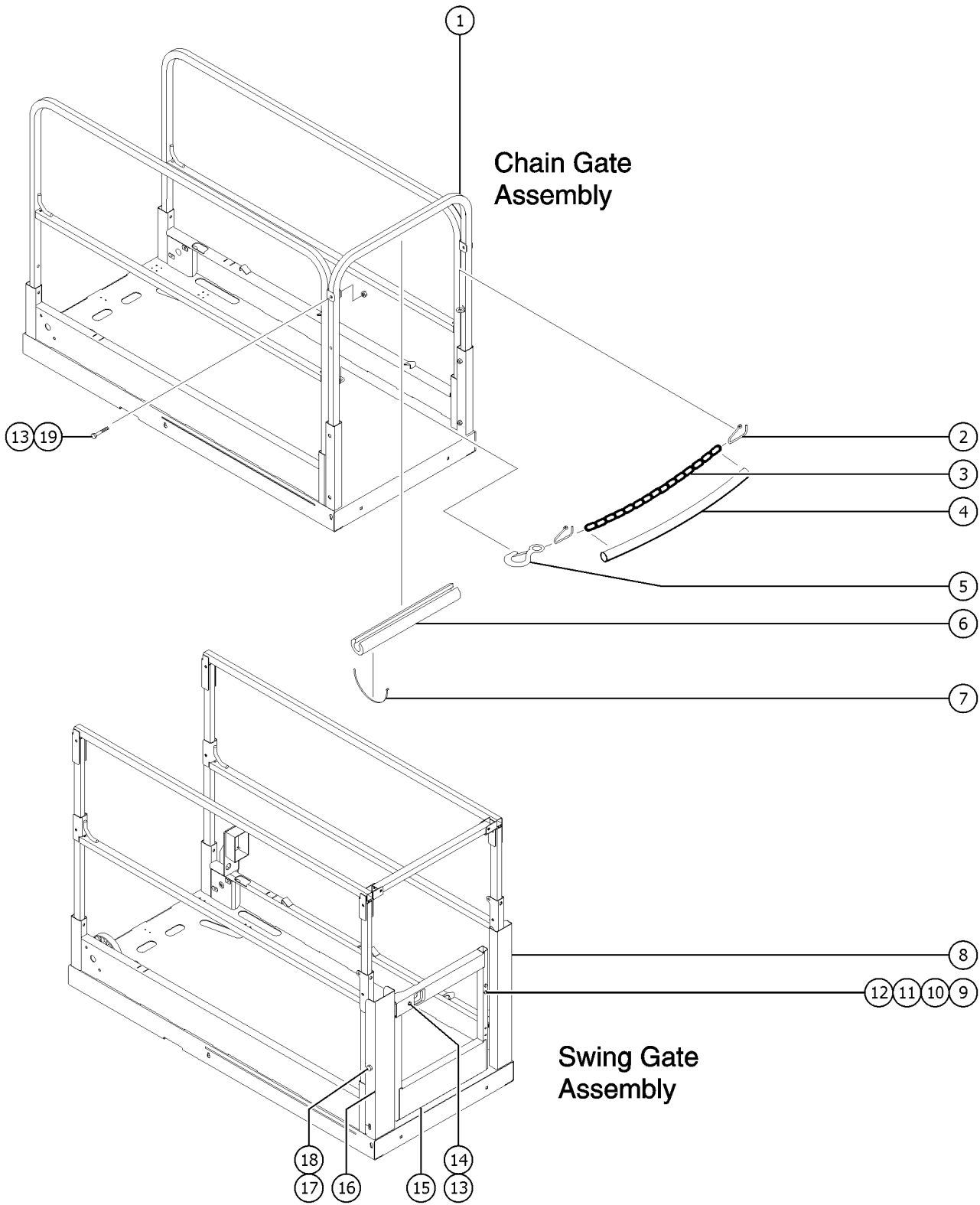
Item	Part No.	Description	Qty.
36	1259182GT	PIN,WIRE LOCK 3/8 X 2.5,ZAG.....5	
--	78022GT	LANYARD,BLACK NYLON,TYPE 1*** (CE & Australia models)	
37		Ref. SWING GATE ASSEMBLY (refer to 405.1)	
38	1259223GT	BOLT,SHS,3/8X.375X5/16-18,ZAG.....1	
39	12013GT	SHIM,.375 X .063.....1	
40	824094GT	SCREW,HHF,3/8-16X2.75,8,ZAG.....5	
41	824029GT	NUT,TL FLG,3/8-16,G,ZAG.....10	
42	1260926GT	BOLT,CARRIAGE,3/8-16X2.25,5,ZAG.....2	
43	1277860GT	GLIDE BUTTON, FOLDING RAILS.....2	

---

404.2 Platform Components, GS-1932 (from SN GS30P-165150)  
(continued)

***This Page Intentionally Left Blank***

405.1 Platform Gates

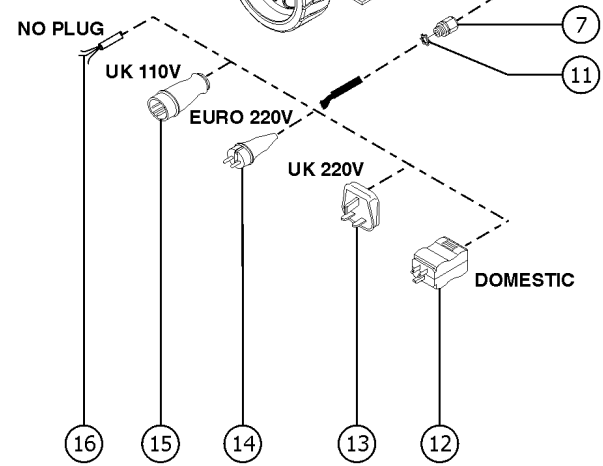
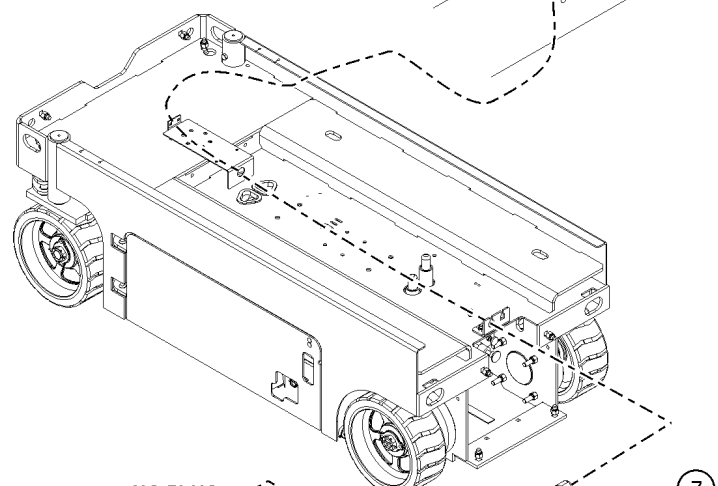
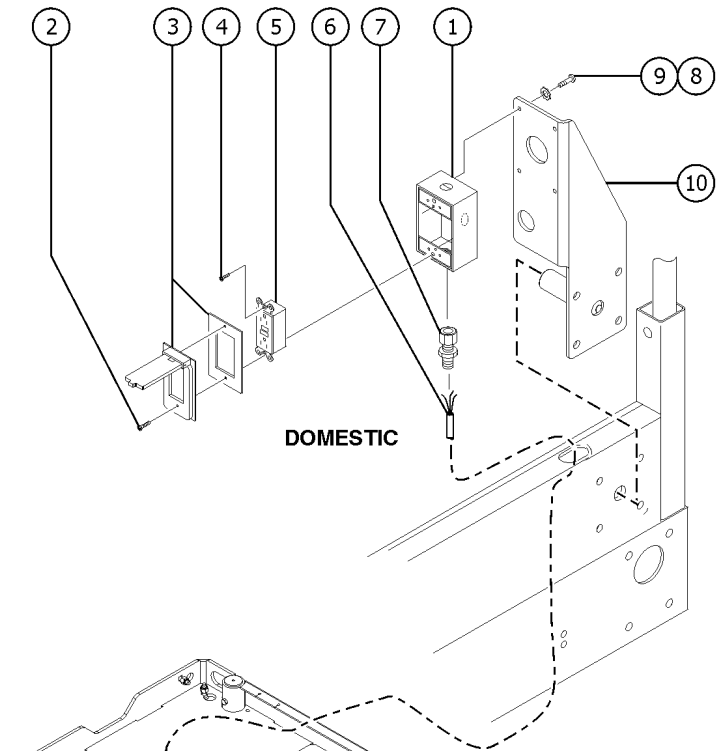
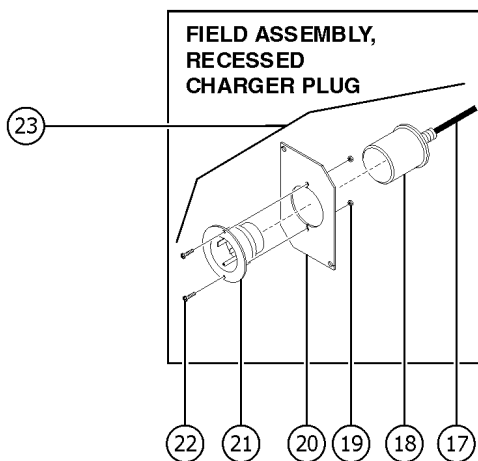
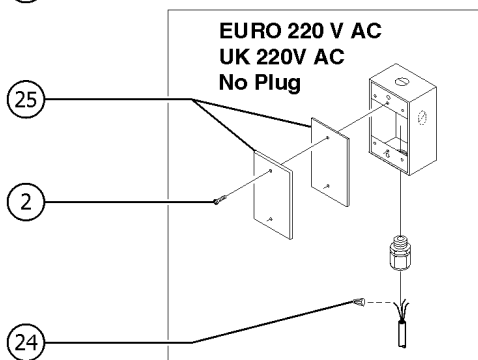
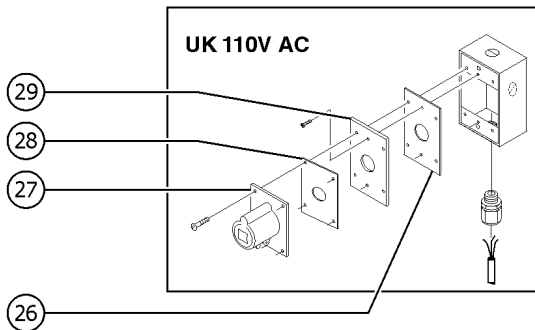
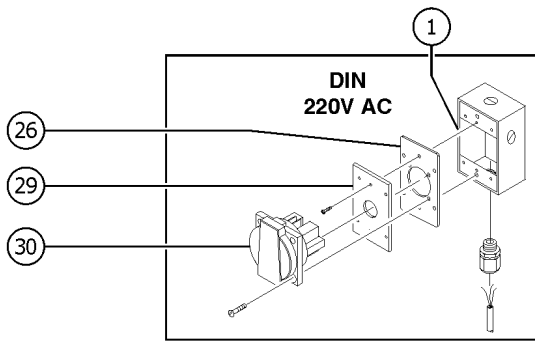


405.1 Platform Gates

Item	Part No.	Description	Qty.	Item	Part No.	Description	Qty.
--	144175GT	KIT,MINI FULL HT,ANSI GATE (ANSI and CSA models) (includes instructions)		--	47598GT	WEATHERSTRIP,SWING GATE.....18-inches	
1	97280GT	CHAIN GATE KIT,GS30 (includes items 2 through 7)		--	66551GT	WELDMENT, HALF GATE.....1 (decals not included, see section one) (for use with items 15A through 15G)	
--	78029GT	END RAIL,SWING GATE,RIGID		15E	231178GT	SWING GATE ASSY,GS1532 CE (GS-1532 CE models)	
--	97105GT	PLAT ENTRY ASSY,RIGID GS30.....1 (includes weldment 66949 and items 6 & 7)		--	47598GT	WEATHERSTRIP,SWING GATE.....18-inches	
2	96163GT	LINK,(SPLIT) OPEN-END.....2		--	66551GT	WELDMENT, HALF GATE (decals not included, see section one) (for use with items 15A through 15G)	
3	39509GT	CHAIN,3/16,OPEN LINK 22.5".....1		15F	231179GT	SWING GATE ASSY,GS1930 CE (GS-1930 CE models)	
4	47224GT	TUBING,PVC,1",BLACK***.....21		--	47598GT	WEATHERSTRIP,SWING GATE.....18-inches	
5	39510GT	RIGID EYE SNAP.....1		--	66551GT	WELDMENT, HALF GATE (decals not included, see section one) (for use with items 15A through 15G)	
6	47188GT	FOAM,CLOSED CELL 1.75X.250X18"....1		15G	231180GT	SWING GATE ASSY,GS1932 CE (GS-1932 CE models)	
7	28443GT	CABLE TIE,11.5" BLACK		--	47598GT	WEATHERSTRIP,SWING GATE.....18-inches	
8A	66883GT	FORMING, HALF GATE HINGE (to SN 165149)		--	66551GT	WELDMENT, HALF GATE (decals not included, see section one) (for use with items 15A through 15G)	
8B	1274603GT	FORMING, HALF GATE, HINGE SIDE....1 (from SN 165150)		15H	65990-SGT	KIT,GATE LATCH.....1 (includes items 13, 14, the spring, 22446, and the latch, 66544) (for use with items 15A through 15G)	
9	4266GT	SCREW,HHC,1/4-20 X 2		--	22446GT	SPRING,COMPRESSION .835 X 2.....1 (for use with items 15A through 15G)	
10	6638GT	WASHER,FLAT,USS,1/4"Y		--	66544GT	LATCH HANDLE (for use with items 15A through 15G)	
11	6091GT	NUT,NYLOCK,1/4-20		16A	66903-SGT	WLDMT, FORMING, HALFGATE CATCH (to SN 165149)	
12	104804GT	HINGE, SPRING, LONG LEG.....2		16B	1274597GT	WELDMENT, FORMING, HALF GATE, CATCH SIDE.....1 (from SN 165150)	
13	5224GT	SCREW,HHC,3/8-16 X 2		17	8178GT	SCREW,HHC,3/8-16 X 2.5	
14	4828GT	NUT,NYLOCK,3/8-16		18	5397GT	WASHER,FLAT,USS,5/16",Y	
15A	97110GT	SWING GATE ASSY,GS30/32** (GS-1530 & GS 1930 ANSI and CSA models)		19	7713GT	NUT, LP NYLOCK, 3/8-16	
--	47598GT	WEATHERSTRIP,SWING GATE.....18-inches (for use with items 15A through 15G)					
--	66551GT	WELDMENT, HALF GATE.....1 (decals not included, see section one) (for use with items 15A through 15G)					
15B	231175GT	SWING GATE ASSY,1530/1930 AUS.....1 (GS-1530 & GS-1930 Australia models)					
--	47598GT	WEATHERSTRIP,SWING GATE.....18-inches (for use with items 15A through 15G)					
--	66551GT	WELDMENT, HALF GATE.....1 (decals not included, see section one) (for use with items 15A through 15G)					
15C	231176GT	SWING GATE ASSY,1532/1932 AUS (GS-1532 & GS-1932 Australia models)					
--	47598GT	WEATHERSTRIP,SWING GATE.....18-inches					
--	66551GT	WELDMENT, HALF GATE (decals not included, see section one) (for use with items 15A through 15G)					
15D	231177GT	SWING GATE ASSY,GS1530 CE.....1 (GS-1530 CE models)					



406.1 Power to Platform

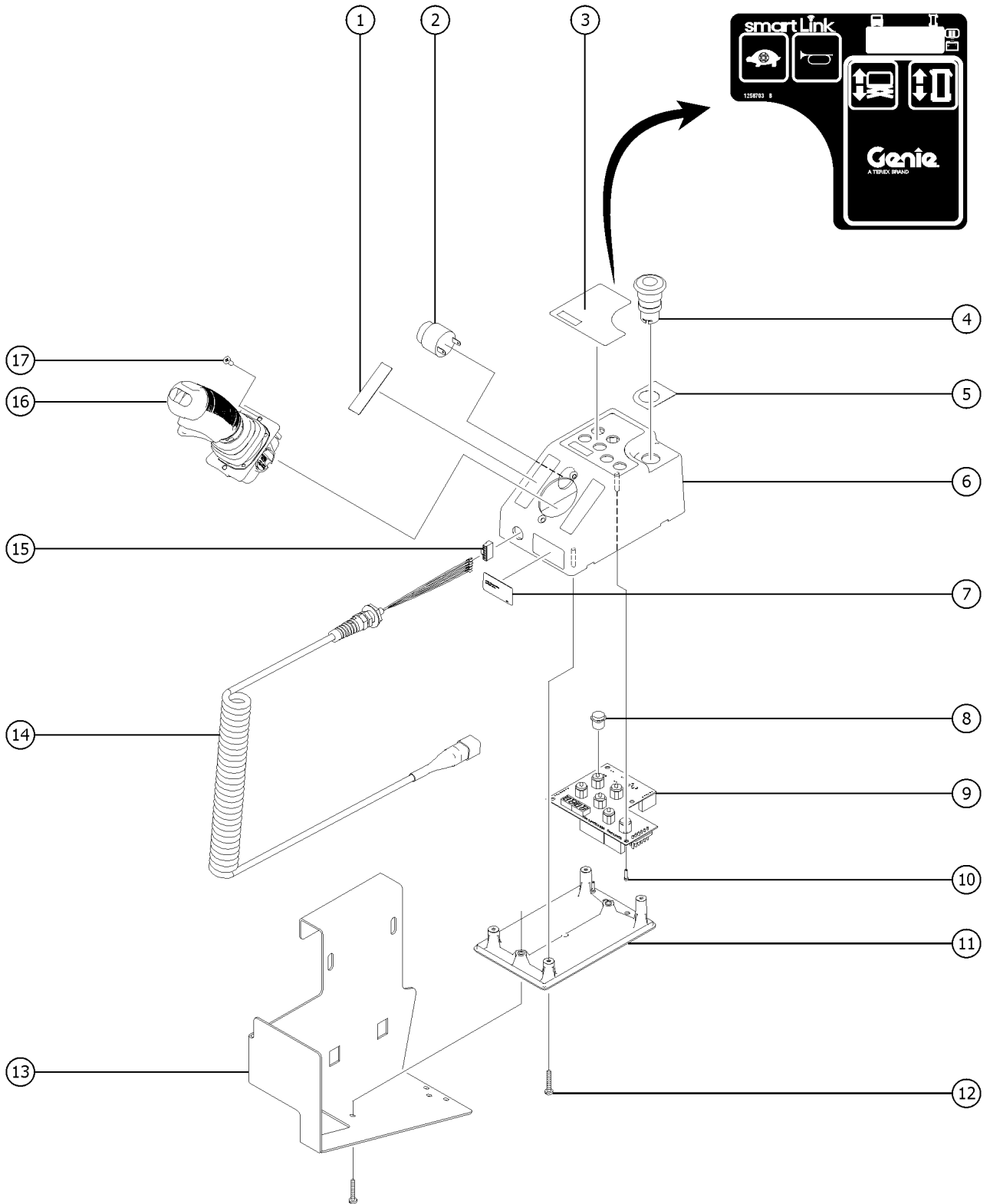


406.1 Power to Platform

Item	Part No.	Description	Qty.	Item	Part No.	Description	Qty.
A	33724GT	KIT,GASKET,UK POWER TO PLAT. <i>(includes 1 each, items 26 and 28)</i>		23	105448GT	FIELD ASSY,REC.CHARGER PLUG.....1 <i>to SN GS3016P-158208 (includes items 17-22)</i>	
1	10775GT	T-BOX, 2.75 x 4.5 x 2.0.....	1	24	6626GT	WIRE CAP,ORANGE.....	1
2	7127GT	SCREW,PHILLIPS,PHM,6-32 X .75		25	10777GT	COVER,BLANK.....	1
3A	74006GT	COVER,GFCI,HORIZONTAL,WEATHER.1 <i>ANSI and CSA models) (includes gasket and mounting fasteners)</i>		26	66355GT	GASKET, UK & DIN PWR. TO PLAT.....1 <i>(2.9 x 2.9 inches)</i>	
3B	105812GT	COVER,T-BOX LOCKABLE.....1 <i>EE rated (not shown)</i>		27	T112563GT	SVC KIT,UK RECEPT.REPLACEMENT.....	1
4	45546GT	SCREW,RHM,6-32 X .5		28	66356GT	GASKET, UK RECEPTACLE.....1 <i>(2.9 x 2.9 inches)</i>	
5	13585GT	OUTLET,110V GFCI***.....1 <i>(ANSI and CSA models)</i>		29A	105483-SGT	PLATE,AC ADAPTER(ANSI/CSA) <i>(ANSI/CSA)</i>	
6A	43956GT	WIRE CABLE,14/3 CON.TPE JKT*.....264-inches <i>GS-1530, GS-1532</i>		29B	96236GT	PLATE,AC ADAPTER,DIN/UK***	
6B	43956GT	WIRE CABLE,14/3 CON.TPE JKT*.....364-inches <i>GS-1930, GS-1932</i>		29C	105090GT	PLATE, AC ADAPTER(AUS)	
7	7056GT	CONN. SQZ, 1/2 NPT .38-50, SM.....	1	30	66353GT	RECEPTACLE, DIN, 220V 50A.....	1
8	57075GT	SCREW,PHIL,8-32X.50,SELF TAP					
9	44936GT	WASHER,STAR,EXTERNAL,#8.....	4				
10		Ref. ROLLER BRACKET <i>(refer to 401.1 through 404.1)</i>					
11	6935GT	LOCKNUT,ELEC,1/2".....	1				
12A	6595GT	PLUG,ELECTRICAL,DOMESTIC.....1 <i>to SN GS3016P-158208</i>					
12B	6595GT	PLUG,ELECTRICAL,DOMESTIC.....2 <i>from SN GS3016P-158209</i>					
13	25388GT	PLUG,FUSED,250V,13AMP,U.K.**					
14	1280665GT	PLUG, TYPE F, 230A, 50HZ, 16A, IP44					
15	144161GT	PLUG,PWR,UK,16AMP,3PIN,BLK					
16	105117GT	PLUG,FLG INLET,15A/125V,2PWGD					
--	105118GT	GASKET,(BOOT) FLANGE INLET PLG					
17	48282GT	POWER CORD, IEC 320 BLANK, 79".....1 <i>to SN GS3016P-158208</i>					
18	105118GT	GASKET,(BOOT) FLANGE INLET PLG.....1 <i>to SN GS3016P-158208</i>					
19	18605GT	NUT,NYLOCK,8-32.....2 <i>to SN GS3016P-158208</i>					
20	105483-SGT	PLATE,AC ADAPTER(ANSI/CSA).....1 <i>to SN GS3016P-158208</i>					
--	6091GT	NUT,NYLOCK,1/4-20.....2 <i>not included</i>					
--	6878GT	BOLT,CARRIAGE,1/4-20 X .75,G2.....2 <i>not included</i>					
21	105117GT	PLUG,FLG INLET,15A/125V,2PWGD.....1 <i>to SN GS3016P-158208</i>					
22	55906GT	SCREW,PHILLIPS,PHM,8-32 X .5.....2 <i>to SN GS3016P-158208</i>					

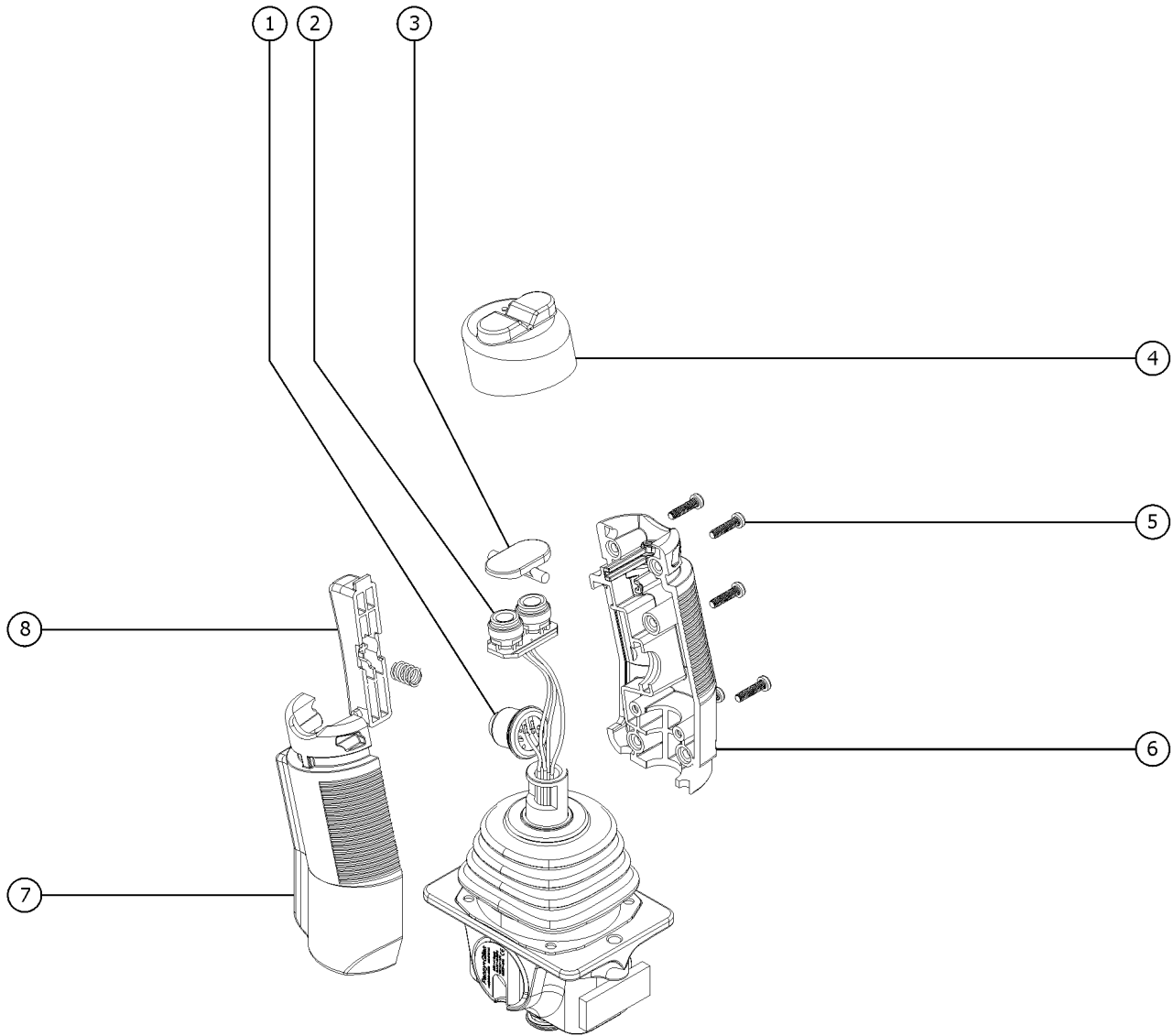


407.1 Platform Controls



Item	Part No.	Description	Qty.
--	1256727GT	PCON,STD,PROP LIFT,GR/GS.....1 <i>(complete platform control box with coil cord, bracket not included)</i>	1
--	1258731GT	FLASH DRIVE,SL1K2.0 SOFTWARE <i>(For proportional lift or upgrade kits only. Software update available on-line. Flash drive sold separately.)</i>	
--	137587GT	HARNESS, ESTOP, GR/GRC/GS PCON	
1	137656GT	DECAL,PROPEL,GR/GRC/GS,PCON.....1	1
2	39540GT	ALARM,STEADY TONE***.....1	1
3		DECAL, UI, GS/GR, PROP LIFT.....1 <i>(refer to section 1)</i>	1
4	66812GT	BUTTON,PUSH,RED MUSHROOM HEAD.....1	1
--	66817GT	BASE WITH 1 NC CONTACT, E-STOP	
5	137605GT	DECAL,E-STOP,GR/GRC/GS PCON.....1	1
6	1256656GT	ENCLOSURE,STD 4-BUTTON, TOP	
7		DECAL <i>(component no longer available)</i>	
8	T106373GT	CAP,BUTTON,K12.....6	6
9	1256725GT	PCBA,PCON STD,PROP LIFT.....1	1
10	137637GT	SCREW,PHM,4-20X.5, 48-2 TRI-L	
11	T106370GT	ENCLOSURE,GC14-1/GC16-1, BOT.....1	1
12	137640GT	SCREW,PHM,8-16X.75, 48-2 TRI-L	
13	231331GT	PLAT CONTROL BRKT ASSY,GS MINI.....1 <i>USA, Canada, Australia</i>	1
--	T114397GT	FORMING,PLAT CONTROL BOX <i>Europe, Asia and S. America</i>	
14	235464GT	KIT,COIL CORD,CONTRLR,SL1000.....1 <i>includes item 15</i>	1
--	231921GT	KIT,CONN,RECEPT W/PIN AND LOCK	
--	231922GT	KIT,CONN,PLUG W/SCKT AND LOCK	
15	137699GT	PLUG, 6POS ECO PWR.....1	1
16		Ref., JOYSTICK.....1 <i>refer to 409.1</i>	1
17	229845GT	SCREW,BHSCS,M5X10,SS <i>apply Loctite 243 or equivalent before installation</i>	

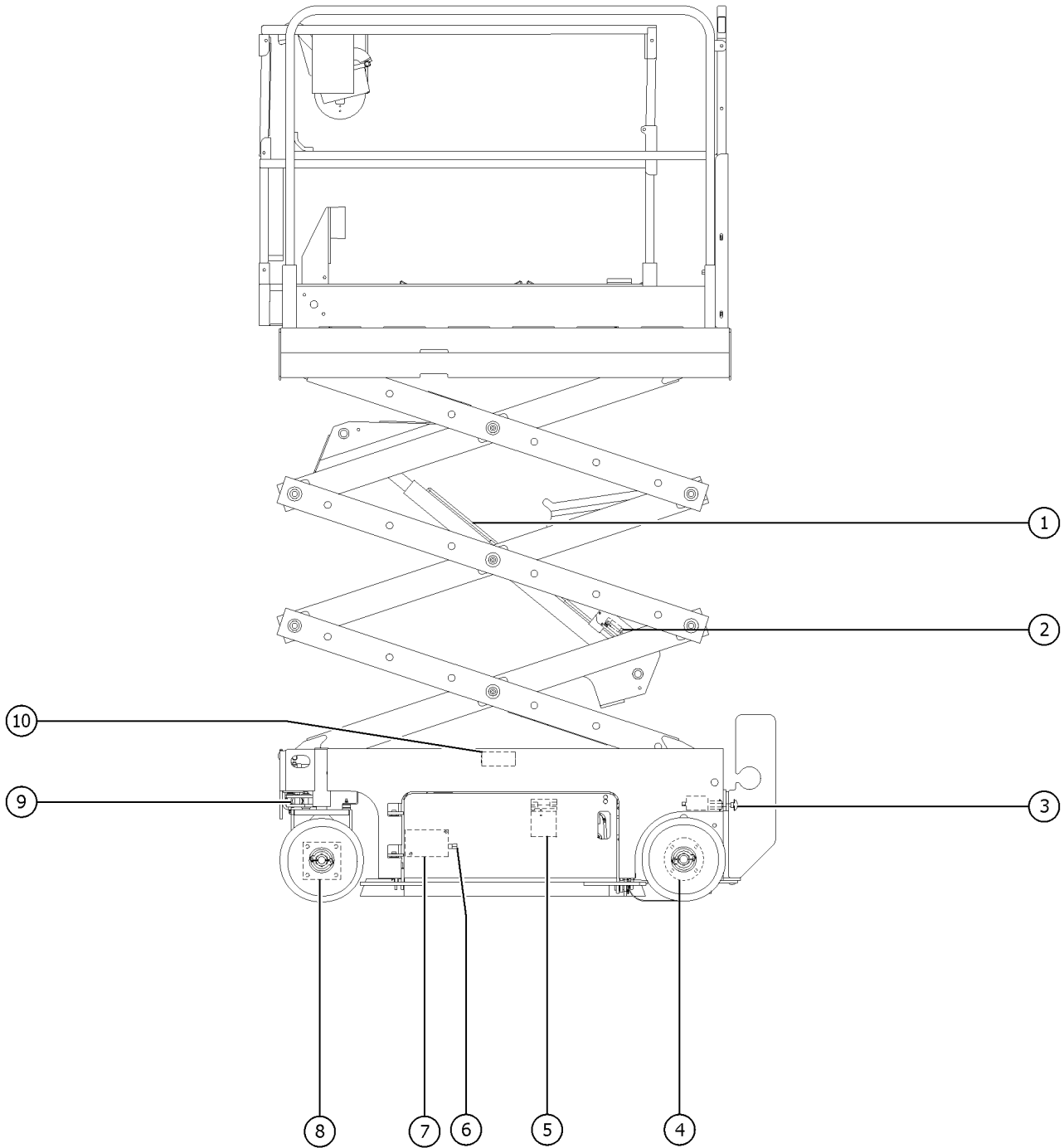
408.1 Joystick Controller



## 408.1 Joystick Controller

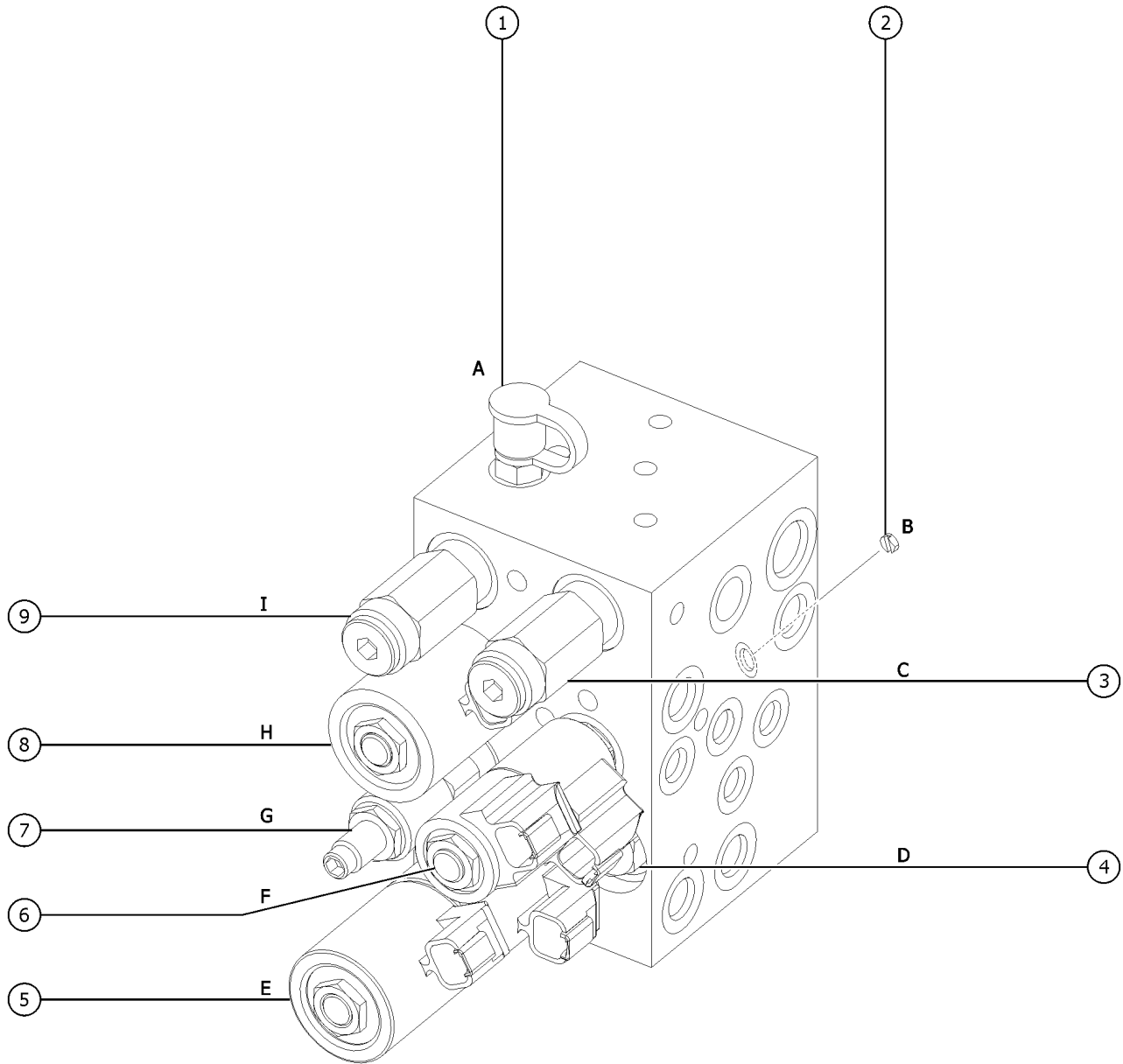
Item	Part No.	Description	Qty.
--	137634GT	JOYSTICK, HALL EFFECT, SINGLE	
--	214544GT	KIT,BOOT,JOYSTICK,SL1000 <i>joystick boot</i>	
1	235463GT	KIT,SWITCH,JYSTK,SL1000.....1 <i>function enable and steer switches</i>	1
2	235463GT	KIT,SWITCH,JYSTK,SL1000.....1 <i>function enable and steer switches</i>	1
3	229092GT	ROCKER,2 SWITCH.....1	1
4	229093GT	BOOT, 2 SWITCH, SILICON.....1	1
5	229086GT	SCREW, SELF TAP.....5	5
6A	229087GT	HANDLE HALF,RIGHT,W/TOP SWITCH.....1	1
6B	229091GT	SCREW,GRUB,M5X8MM,HLF DOG,BZP <i>for 229087</i>	
7A	229088GT	HANDLE HALF,LEFT,W/TOP SWITCH....1	1
7B	229090GT	SCREW,GRUB,M5X8MM CUP(BLK) <i>for 229088</i>	
8	229089GT	TRIGGER, EXTENDED.....1 <i>squeeze handle</i>	1
--	229094GT	SPRING, HANDLE TRIGGER.....1	1

501.1 Hydraulic Components



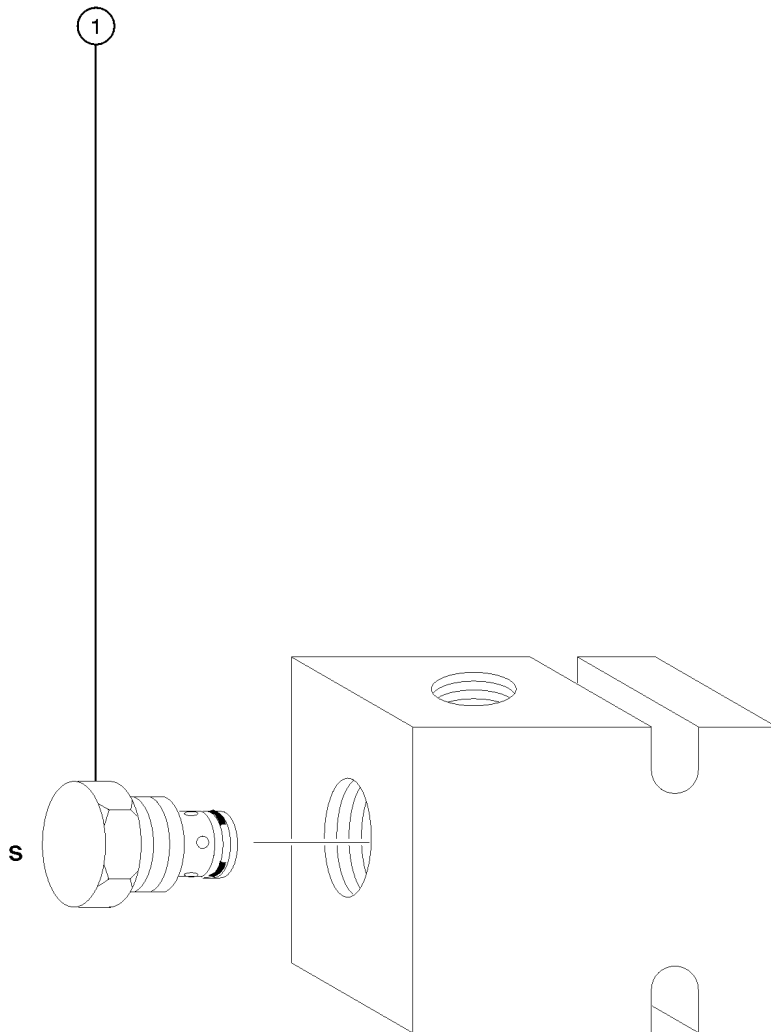
Item	Part No.	Description	Qty.
1		Ref. Lift Cylinder Assembly <i>(refer to 506.1)</i>	
2		Ref. Pressure Transducer <i>(refer to 701.1)</i>	
3		Ref. Brake Release Hand Pump Manifold <i>(refer to 504.1)</i>	
4	96257GT	BRAKE, HYDRAULIC***.....	2
5A	78622GT	FILTER ASSY,SAE8,10 MIC,PAPR**..... <i>(paper, standard)</i>	1
--	44788GT	FILTER ELEMENT,10MICRON,PAPER* <i>(paper, standard)</i>	
5B	T114321GT	FILTER ASSY,FIBRGLS,#8-#8..... <i>(fiberglass, optional upgrade)</i>	1
--	44207GT	FILTER ELEMENT,BETA(10)=200 <i>(fiberglass, optional upgrade)</i>	
6		Ref. Check Valve Manifold <i>(refer to 503.1)</i>	
7		Ref. Function Manifold <i>(refer to 502.1)</i>	
8	96388GT	MOTOR,HYDRAULIC,530,14.0CU.IN*.... GS-30	2
--	96419GT	SEAL KIT,RC SERIES DR MOTOR*** <i>(for 96388 and 96417)</i>	
9	105547GT	CYLINDER,GS/GR STEER***.....	1
--	105550GT	KIT,STEER CYL SEAL	
--	105553GT	KIT,STEER CYL SEAL,040271P,HDM <i>(for code H408147 and up)</i>	
--	105554GT	KIT,STEER CYL SEAL,040499P,HDM <i>(for code H41109 and up)</i>	
--	105555GT	KIT,STEER CYL SEAL,040505P,HDM <i>(for codes H41205, H41255, H51290, H501111, H505109, H509101, H60723 and H60870)</i>	
10	78422GT	ACCUMULATOR,180 PSI PRECHARGE*.....	1

502.1 Function Manifold



Item	Part No.	Description	Qty.
--	105304GT	MANIFOLD,FUNCTION*** (manifold, complete)	
--	49612GT	O-RING KIT (ORFS FITTINGS)	
--	49613GT	PLUG AND CAP KIT-SERVICE,ORFS*	
1	48997GT	NIPPLE,DIAGNOSTIC,#4 (A, Testing)	
--	20224GT	DIAGNOSTIC FEMALE Q-DSCNT (pressure gauge not included)	
--	48880GT	CAP,DIAGNOSTIC NIPPLE	
2	84386GT	CHECK DISK, NO SPRING (B, Steer circuit)	
3	65962GT	VALVE-RELIEF, 3700 PSI #8** (C, Lift relief)	
--	44226GT	SEAL KIT-FOR P.N.44167	
4	46216GT	VALVE,CHECK,IWP-S/CWP PWR ASSI (D, Drive circuit)	
--	44227GT	SEAL KIT, VALVE	
5	105303GT	VALVE, DYN. BRAKING, GS30** (E, Drive forward/reverse)	
--	44174GT	NUT-COIL SHORT	
--	44230GT	SEAL KIT-P.N.44169,44172,44171	
--	84385GT	COIL,20VDC DEUTC SH W/DIODE (sold separately)	
6	44168GT	VALVE,SOLENOID,3POS 4WAY (F, Steer left/right)	
--	44174GT	NUT-COIL SHORT	
--	44229GT	SEAL KIT, VALVE	
--	77709GT	COIL,#8 20VDC,DEUTSCH W/DIOD (sold separately)	
7	84384GT	PRTY,FLOW CNTRL VALVE,.75 GPM (G, Steer circuit)	
--	1261888GT	SEAL KIT (84384) for 84384	
8	44169GT	VALVE-SOLENOID, 2POS 4 WAY (H, Platform up)	
--	44174GT	NUT-COIL SHORT	
--	44230GT	SEAL KIT-P.N.44169,44172,44171	
--	84385GT	COIL,20VDC DEUTC SH W/DIODE (sold separately)	
9	65962GT	VALVE-RELIEF, 3700 PSI #8** (I, System relief)	
--	44226GT	SEAL KIT-FOR P.N.44167	

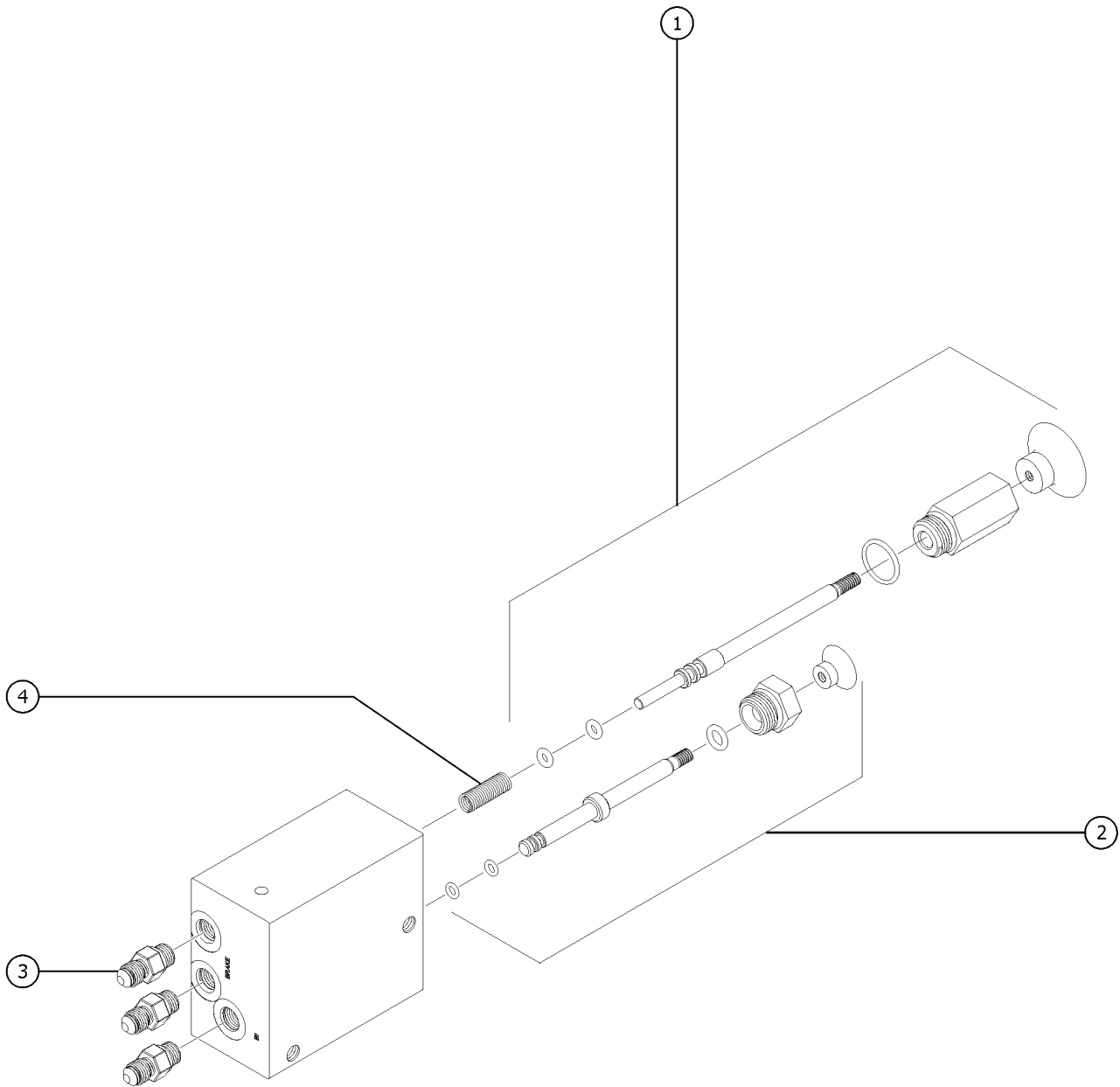
503.1 Check Valve Manifold



## 503.1 Check Valve Manifold

Item	Part No.	Description	Qty.
--	105164GT	KIT,MANIFOLD,200 PSI CV,MINI	
--	105167GT	ACCESSORY,MINI CHK VAL MANIF	
1	105165GT	MANIFOLD,200 PSI CHECK VALVE (S, Drive circuit)	

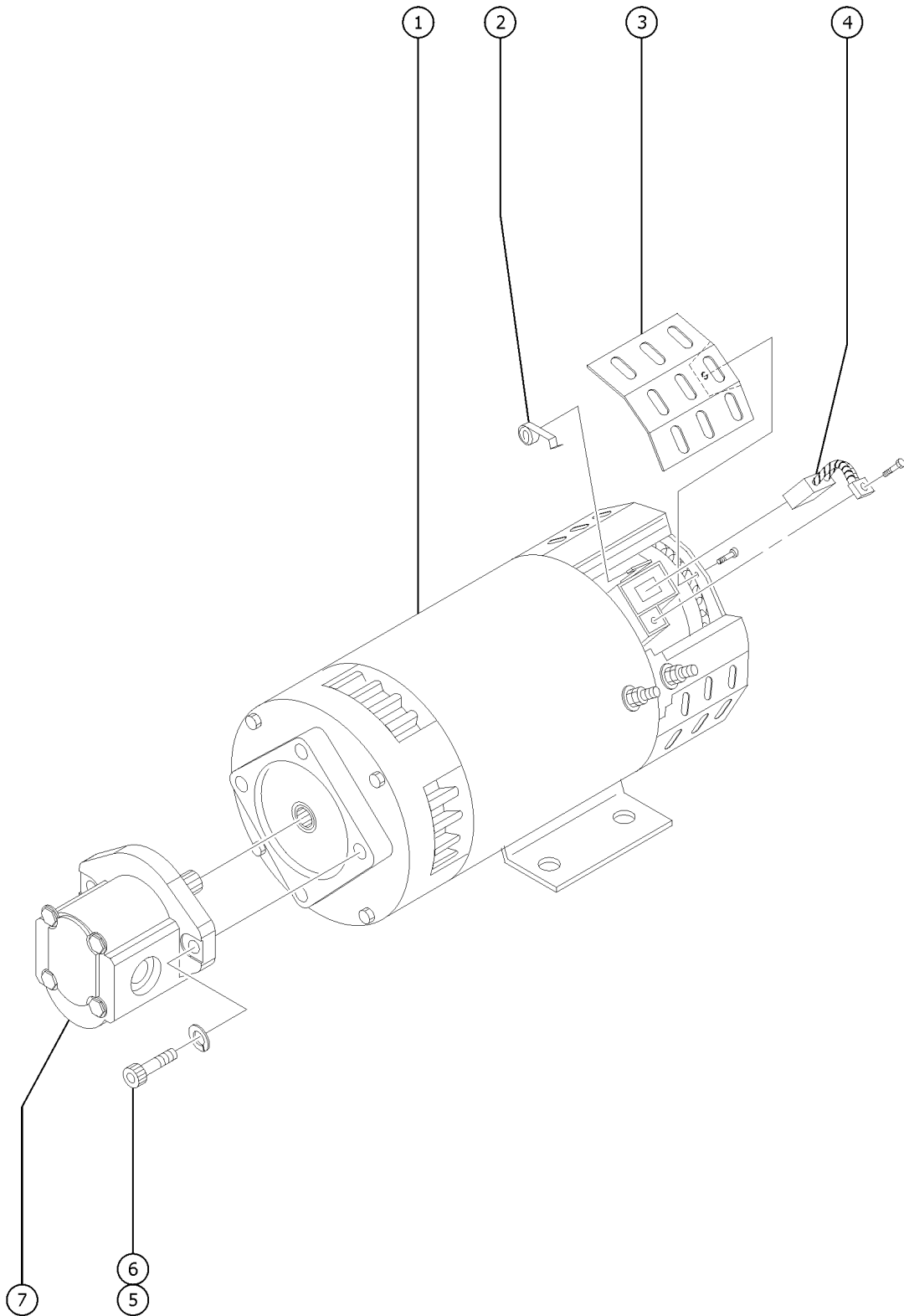
504.1 Brake Release Hand Pump Manifold



504.1 Brake Release Hand Pump Manifold

Item	Part No.	Description	Qty.
--	105067GT	MANIFOLD,BRAKE RELEASE <i>(includes items 1, 2 and 4)</i>	
1	84739GT	VALVE,HAND PUMP ASSEMBLY***.....1	1
--	84740GT	SEAL KIT,HAND PUMP***	
--	84742GT	KNOB,HAND PUMP (RED)***	
2	84743GT	VALVE,PILOT OPERATED ASSEMBLY*.....1	1
--	84740GT	SEAL KIT,HAND PUMP***	
--	84746GT	KNOB,PILOT OP VALVE (BLACK)***	
3	39877GT	CONNECTOR,070120-4-4.....3	3
4	84748GT	SPRING,HAND PUMP ROD.....1	1

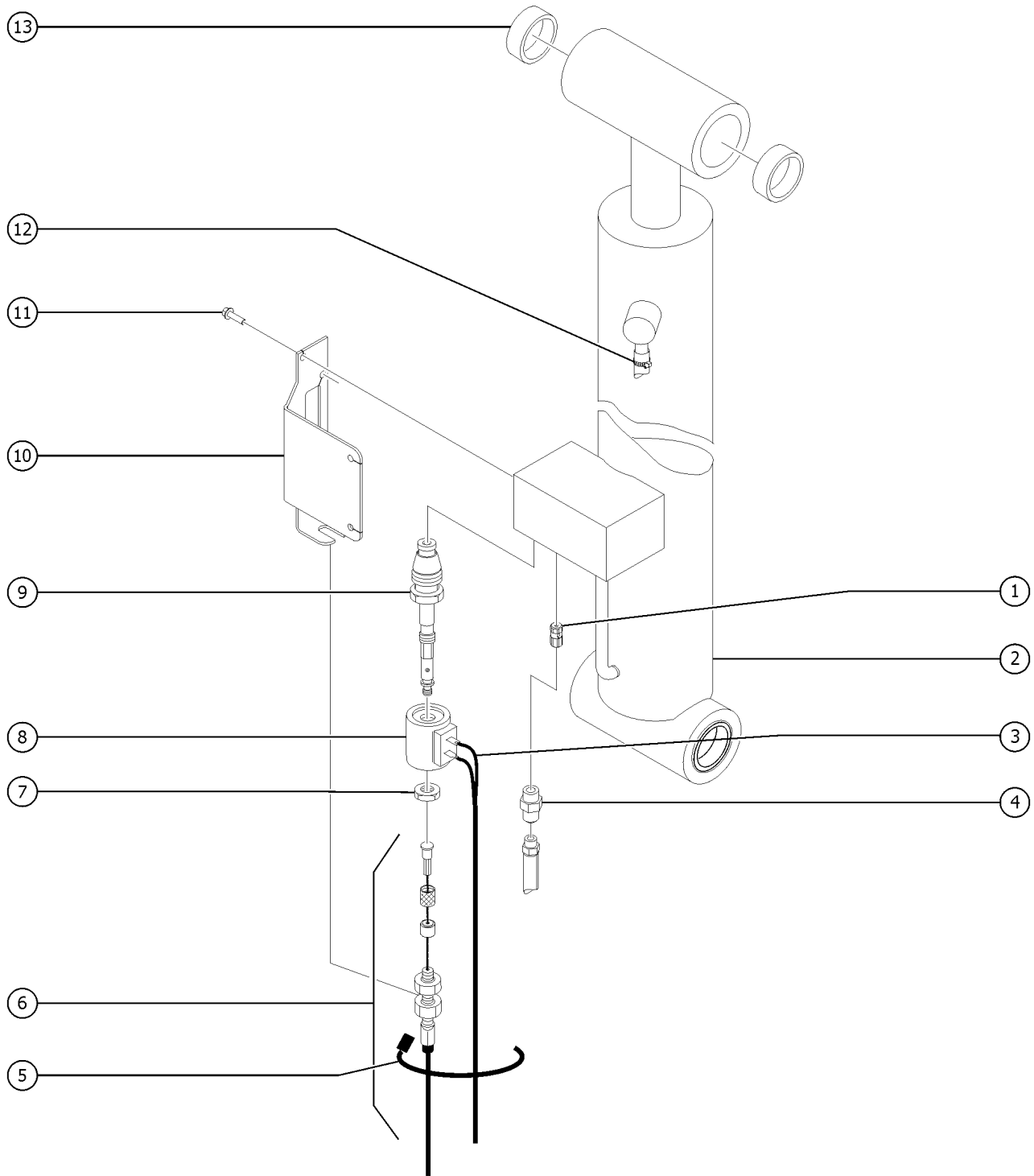
505.1 Hydraulic Power Unit, All Models



## 505.1 Hydraulic Power Unit, All Models

Item	Part No.	Description	Qty.
--	49812GT	ENCLOSING BAND KIT <i>Band Kit (EE models)</i>	
--	78006GT	FORMING,PADLOCK BRACKET	
--	44716GT	HANDLE,ANDERSON CONNECTOR SB	
1	40844GT	MOTOR,ELECTRIC,24VDC 4.5HP.....1	
--	43685GT	SEAL KIT,LIFT PUMP,BARNES**	
--	44777GT	BEARING,MOTOR	
--	44778GT	BEARING,MOTOR,36843,BRUSH END*	
2	44750GT	SPRING-BRUSH,40844, SCISSORS.....4	
3	44752GT	COVER-BRUSH INSPEC.40844,SCISS.....4	
4	44751GT	BRUSH,PWR UNIT (40844)**.....4	
5	824100GT	SCREW,SHC,3/8-24X1.25,A574,ZAG	
6	824110GT	WASHER,LOCK,3/8,ZAG	
7	96193GT	PUMP,4CC GEAR,CCW*** .....1 <i>Bosch (please check pump ID plate for correct seal kit)</i>	
--	233641GT	SEAL KIT,BOSCH PUMP.....1 <i>for Bosch PN 9510090001</i>	
--	85197GT	SEAL KIT,BOSCH PUMP*** .....1 <i>for Bosch PN 9510290001</i>	

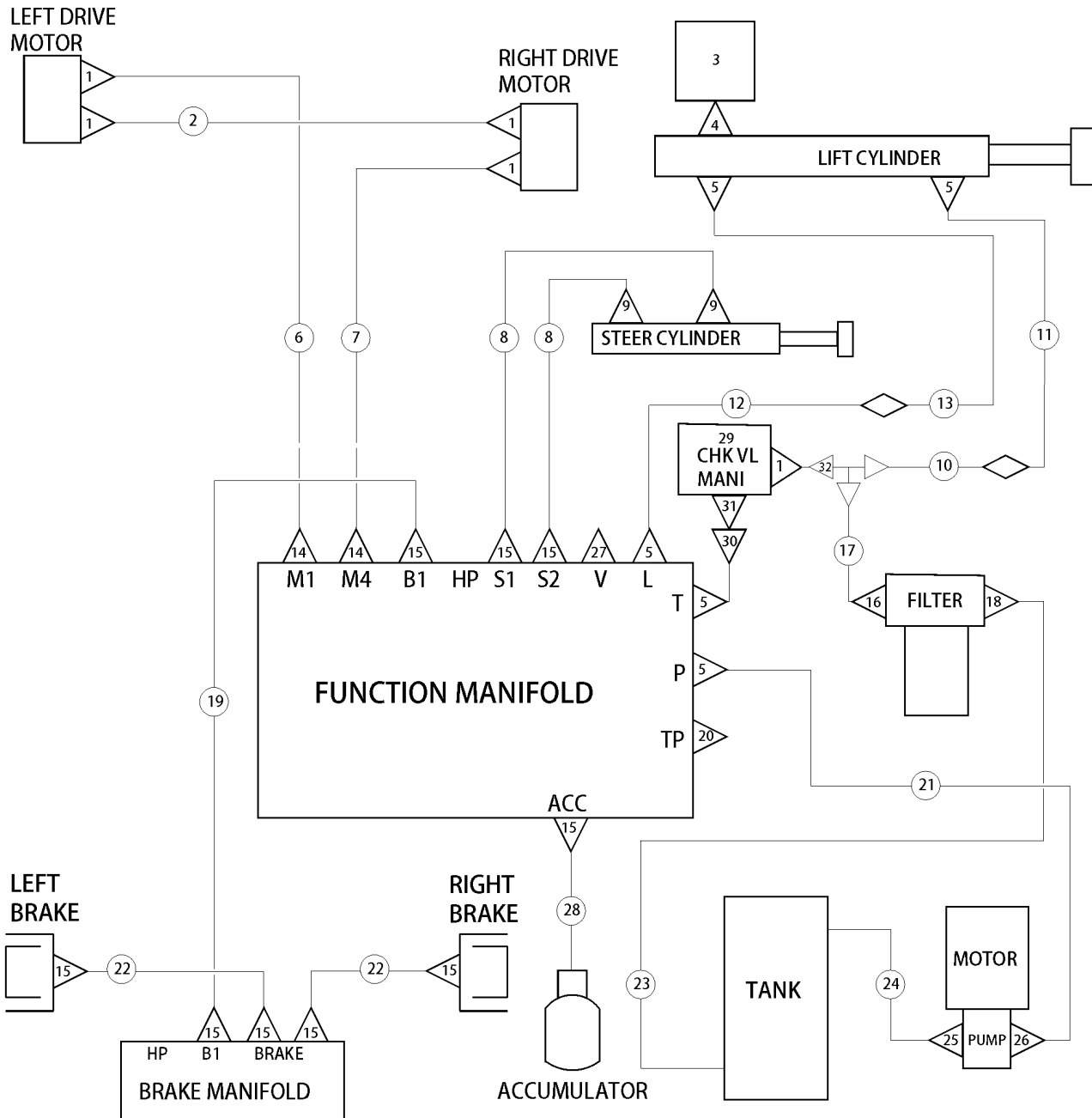
506.1 Lift Cylinder Assembly, All Models



## 506.1 Lift Cylinder Assembly, All Models

Item	Part No.	Description	Qty.
1	55558GT	ORIFICE, LONG, .037*** <i>(lift cylinder)</i>	1
2	105543GT	CYLINDER, MINI LIFT	1
--	105548GT	KIT, MINI LIFT CYL SEAL	
3		Ref. Down Coil Wire Harness <i>(refer to 210.1)</i>	
4	39878GT	CONNECTOR, 070120-6-6	1
5	28443GT	CABLE TIE, 11.5" BLACK	3
6		Ref. Emergency Down Cable <i>(refer to 203.1)</i>	
7	44973GT	NUT, COIL (39909)	1
8	84422GT	COIL-SOLENOID VALVE, 20V DC***	1
9	66465GT	VALVE, W/20V NC SOLENOID, MANUAL <i>(includes items 7 and 8)</i>	1
--	40477GT	VALVE, CARTRIDGE***	
--	44979GT	SEAL KIT, 39909, PLAT LWR VALVE*	
10	41557-SGT	CABLE BRACKET, PAINTED	1
11	824077GT	SCREW, HHF, 1/4-20X.5, 8, ZAG	
12	96770GT	CLAMP, HOSE, 1 EAR, 11/16	
13	105478GT	BEARING, 1.5025IDX1.5075ODX1.5L	4

507.1 Hydraulic Hoses and Fittings



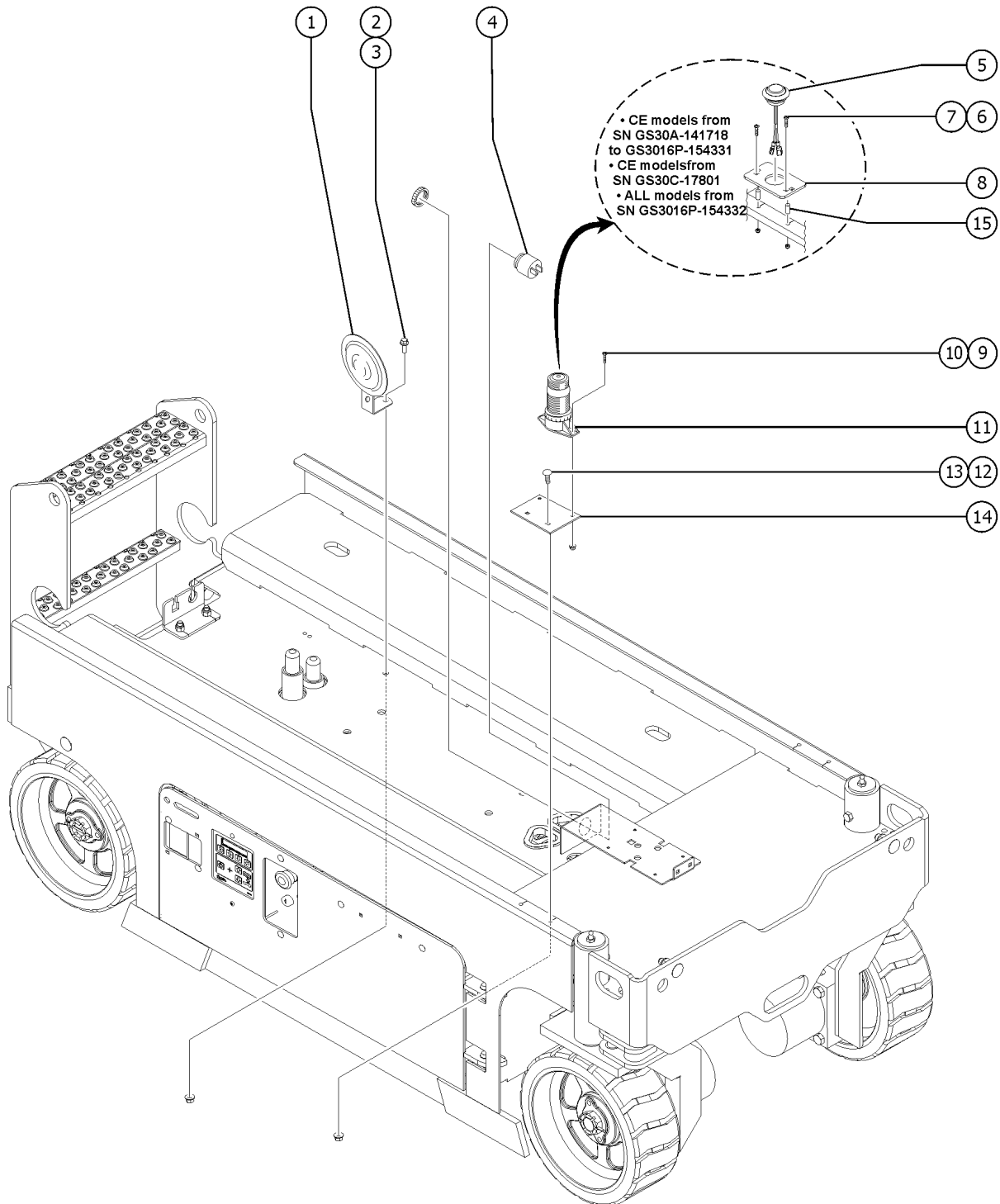
LEGEND	
	ADAPTER
	HOSE ASSEMBLY
	UNION

507.1 Hydraulic Hoses and Fittings

Item	Part No.	Description	Qty.	Item	Part No.	Description	Qty.
--		<i>The hose lengths below reflect the length of the hose only. Refer to the 'Fittings Cross Reference' to match Genie part numbers to Parker part numbers.</i>		23	96355GT	TUBE, ASSY, RETURN.....	1
1	39873GT	ELBOW,070220-6-6.....	5	24	96354GT	TUBE, ASSY, DRAW.....	1
2	96350GT	HOSE, ASSY, MOTOR CROSSOVER..... (Components: 39890, 39890, and 56776 @ 53.25 inches)	1	25	22664GT	ELBOW,070220-12-10.....	1
3		Ref. Pressure Transducer Harness (refer to 701.1)		26	39876GT	ELBOW,070220-6-8.....	1
4	39881GT	CONNECTOR,070120-4-6..... (CE models)	1	27	48923GT	PLUG,090109A-6.....	1
5	39878GT	CONNECTOR,070120-6-6.....	4	28	105283GT	HOSE ASSY, MAN/ACCUM, MINI..... (Components: 78855, 78855, and 78852 @ 14 inches)	1
6	115166GT	HOSE, ASSY, DRIVE MOTORS, MINI, L (Components: 39890, 39890, and 56776 @ 31 inches)		29		Check Valve Manifold..... (refer to 503.1)	2
7	105653GT	HOSE, ASSY, DRIVE MOTORS, MINI..... (Components: 39890, 39890, and 56776 @ 31 inches)	1	30	78091GT	ELBOW, SWIVEL NUT 90DEG, -6.....	1
8	96351GT	HOSE, ASSY, STEER..... (Components: 78855, 78855, and 78852 @ 22 inches)	2	31	55839GT	CONN, SWIVEL STR, THR, 6F650X.....	1
9	13921GT	ELBOW,070220-4-4.....	2	32	51152GT	TEE, RUN 070432-6****	1
10	105263GT	HOSE, ASSY, LOWER VENT (Components: 96406, 96406, and 75361 @ 12 inches)					
11	105261GT	HOSE, ASSY, UPPER VENT (Components: 96407, 96770 and 75631 @ 107 inches)					
12	105264GT	HOSE, ASSY, LOWER LIFT (Components: 39890, 47223, and 56776 @ 13 inches)					
13	105262GT	HOSE, ASSY, UPPER LIFT (Components: 39890, 39890, and 56776 @ 73 inches)					
14	42283GT	ELBOW,070320-6-6.....	2				
15	39877GT	CONNECTOR,070120-4-4.....	9				
16	20923GT	CONNECTOR,070120-8-6.....	1				
17	105285GT	HOSE, ASSY, MAN TO FILTER..... (Components: 96406, 96406, and 75631 @ 22 inches)	1				
18	96398GT	CONNECTOR, 070120-12-8.....	1				
19	105284GT	HOSE, ASSY, BRAKE..... (Components: 78855, 78855, and 78852 @ 46 inches)	1				
20		Ref. Diagnostic Nipple (refer to 502.1)					
21	96353GT	HOSE, ASSY, PRESSURE..... (Components: 39890, 39890, and 56776 @ 40 inches)	1				
22	96391GT	HOSE, ASSY..... (Components: 78855, 78855, and 78852 @ 17 inches)	2				



601.1 Alarm, Horn and Flashing Beacons

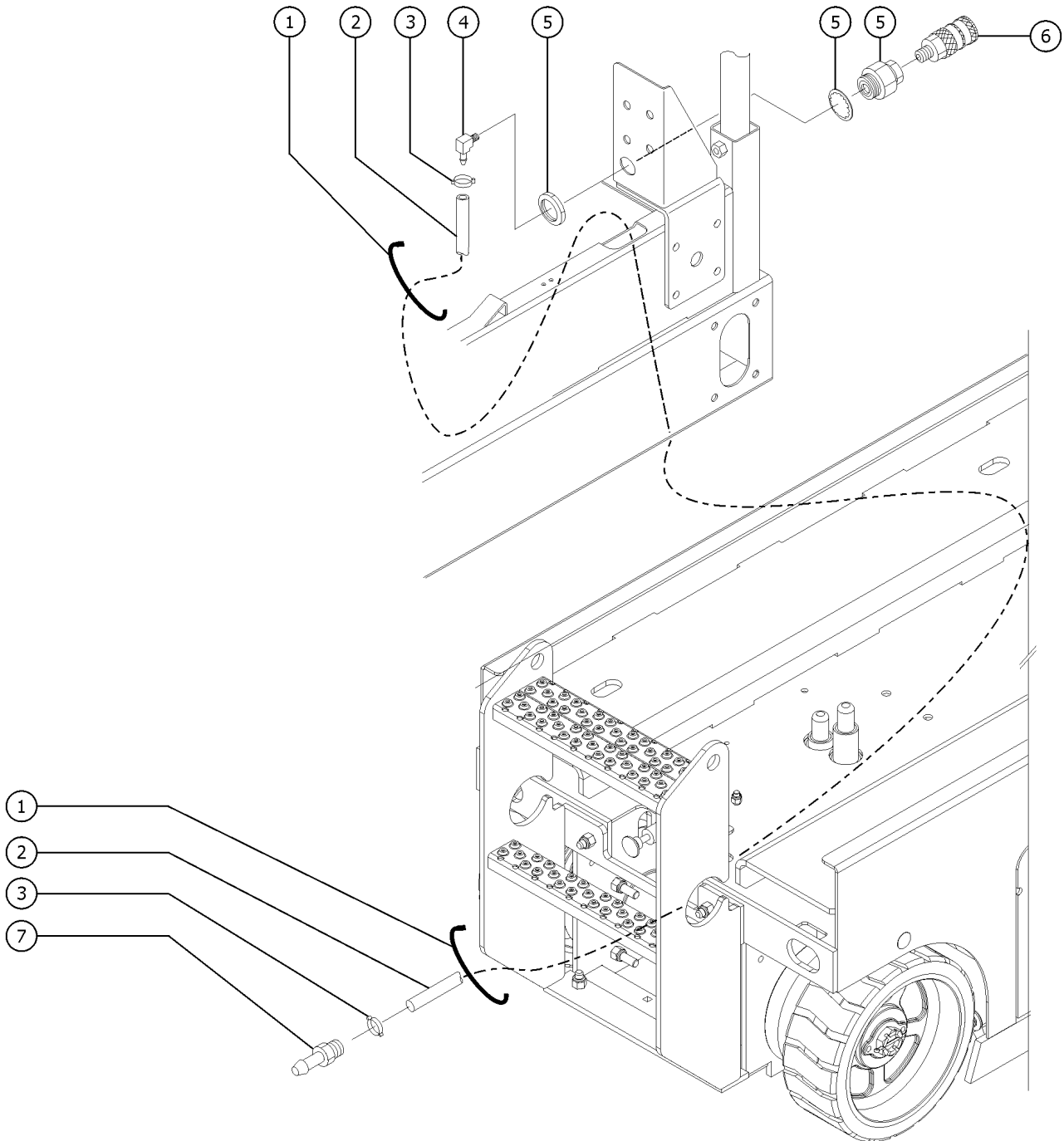


601.1 Alarm, Horn and Flashing Beacons

Item	Part No.	Description	Qty.	Item	Part No.	Description	Qty.
--	105797GT	KIT,BEACON,GS32/46		13	824027GT	NUT,TL FLG,1/4-20,G,ZAG.....4 <i>ANSI models to SN GS3016P-154331</i>	
--	1260386GT	VISUAL INDICATOR LIGHTS <i>CE Models</i>		14	96363GT	PLATE,BEACON MOUNT.....2 <i>ANSI models to SN GS3016P-154331</i>	
1	81579GT	HORN,24VDC,SPADE TERMINALS*** ....1		15A	96699GT	SLEEVE,TANK SUPPORT.....4 <i>CE Models to SN GS3016P-154331</i>	
2	824090GT	SCREW,HHF,3/8-16X1,8,ZAG.....2		15B	96699GT	SLEEVE,TANK SUPPORT.....4 <i>All models from GS3016P-154332</i>	
3	824029GT	NUT,TL FLG,3/8-16,G,ZAG.....2					
4	39540GT	ALARM,STEADY TONE*** .....1 <i>Does not include 72326 nut; order separately</i>					
--	72326GT	NUT - PLASTIC,RING FOR ALARMS <i>for 39540</i>					
5A	1261183GT	ASSEMBLY, VISUAL IND LIGHT.....2 <i>CE Models to SN GS3016P-154331</i>					
--	1254572GT	LIGHT,TURN SIGNAL,1.25" LED,AMB...2					
--	1270162GT	ASSEMBLY, BEACON LED, 24V.....2 <i>for 1261183</i>					
--	1271521GT	HARNES, BEACON, LED, MINI.....1 <i>for 1261183</i>					
5B	1261183GT	ASSEMBLY, VISUAL IND LIGHT.....2 <i>All models from GS3016P-154332</i>					
--	1254572GT	LIGHT,TURN SIGNAL,1.25" LED,AMB...2					
--	1270162GT	ASSEMBLY, BEACON LED, 24V.....2 <i>for 1261183</i>					
--	1271521GT	HARNES, BEACON, LED, MINI.....1 <i>for 1261183</i>					
6A	9116GT	BOLT,CARRIAGE,1/4-20 X 1.25,G2.....4 <i>CE Models to SN GS3016P-154331</i>					
6B	9116GT	BOLT,CARRIAGE,1/4-20 X 1.25,G2.....4 <i>All models from GS3016P-154332</i>					
7A	6889GT	NUT,LP NYLOCK,1/4-20.....4 <i>CE Models to SN GS3016P-154331</i>					
7B	6889GT	NUT,LP NYLOCK,1/4-20.....4 <i>All models from GS3016P-154332</i>					
8A	824215GT	SCREW,PHPM,10-32X.75,ZAG.....4 <i>CE Models to SN GS3016P-154331</i>					
8B	824215GT	SCREW,PHPM,10-32X.75,ZAG.....4 <i>All models from GS3016P-154332</i>					
9A	1261143GT	PLATE,VISUAL IND LIGHT MOUNT.....2 <i>CE Models to SN GS3016P-154331</i>					
9B	1261143GT	PLATE,VISUAL IND LIGHT MOUNT.....2 <i>All models from GS3016P-154332</i>					
10	824032GT	NUT,TL FLG,10-32,F,ZAG.....2 <i>ANSI models to SN GS3016P-154331</i>					
11	231931GT	STROBE,BEACON, AC COMP 12-80V...2 <i>ANSI models to SN GS3016P-154331</i>					
--	105556GT	LENS,FLASHING BEACON <i>for 231931</i>					
--	105557GT	BULB,FLASHING BEACON <i>for 231931</i>					
12	824124GT	BOLT,CARRIAGE,1/4-20X.75,5,ZAG.....4 <i>ANSI models to SN GS3016P-154331</i>					



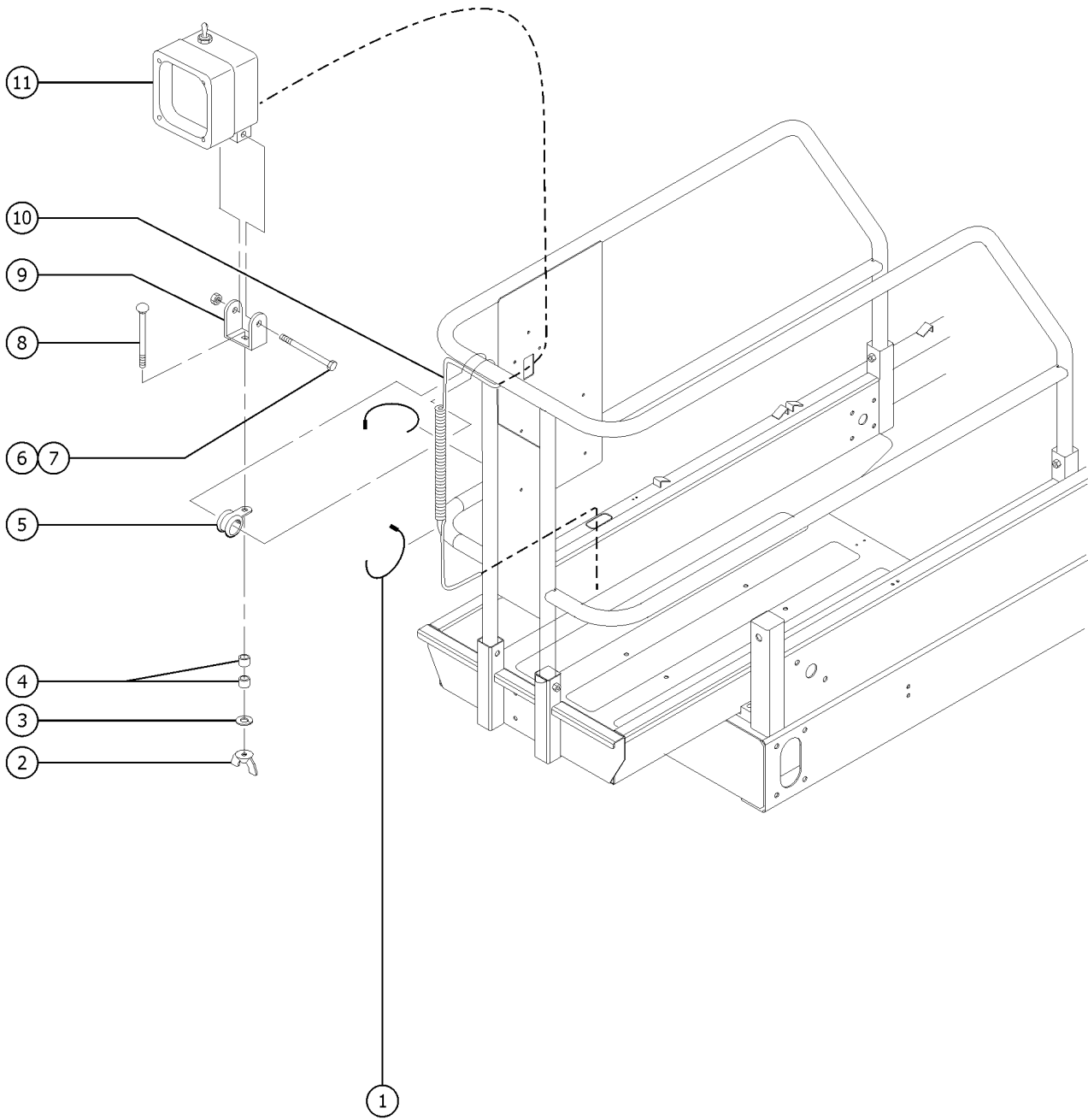
602.1 Air Line to Platform



602.1 Air Line to Platform

Item	Part No.	Description	Qty.
--	96515-SGT	AIR TO PLAT, GS15, ACC GS-1530, GS-1532	
--	96516-SGT	AIR TO PLAT, GS19, ACC GS-1930, GS-1932	
1	28443GT	CABLE TIE,11.5" BLACK	
2A	27903GT	HOSE,LOW PRESSURE,.375 ID,BLK.....275-inches GS-1530, GS-1532	
2B	27903GT	HOSE,LOW PRESSURE,.375 ID,BLK.....340-inches GS-1930, GS-1932	
3	27902GT	CLAMP,HOSE,2 EAR, 5/8.....2	
4	27904GT	HOSE END,BARBED,RIGID,90DEG6-6.....1	
5	27900GT	BULKHEAD,FEMALE X 6 X 6.....1	
6	27895GT	COUPLER,1/4"SERIES 3/8 MPT.....1	
7	96542GT	PLUG,1/4"SERIES,3/8 P-LOCK***.....1	

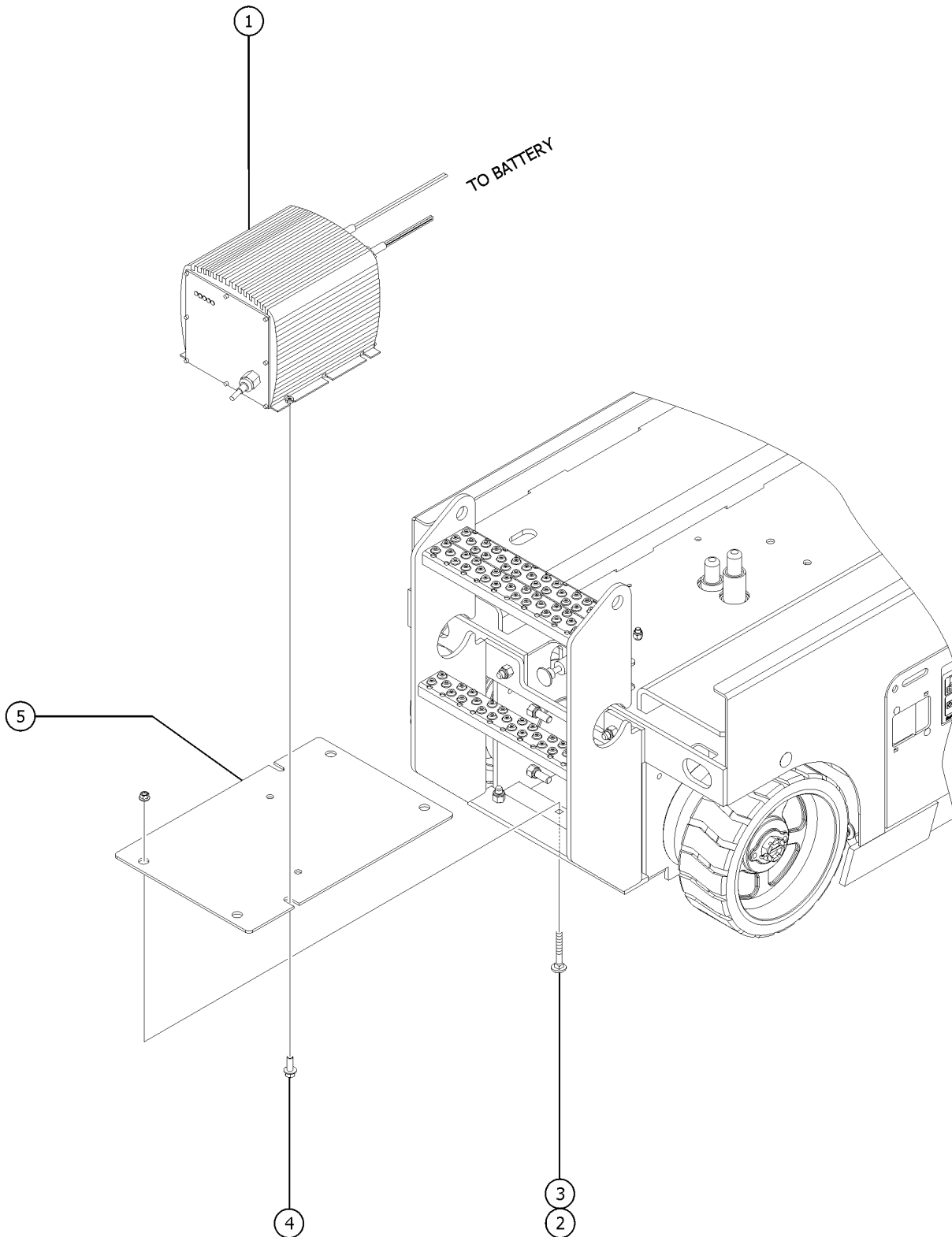
603.1 Platform Work Light



## 603.1 Platform Work Light

Item	Part No.	Description	Qty.
--	105971GT	WORKLIGHT PIGTAIL ASSY (chassis) GS-30	
--	105972GT	WORKLIGHT CABLE,GS15XX (linkset) GS-1530, GS-1532	
--	105973GT	WORKLIGHT CABLE,GS19/20XX (linkset) GS-1930, GS-1932	
1	28443GT	CABLE TIE,11.5" BLACK.....	10
2	69229GT	NUT,WING 5/16-18.....	1
3	6886GT	WASHER,LOCK, .313	
4	65435GT	SPACER, .35ID X .785OD X .435.....	2
5	33784GT	CLAMP,1.31,#21 X 1/4,RUB CUSH.....	1
6	50793GT	SCREW,HHC,5/16-18 X 2	
7	6782GT	NUT,NYLOCK,5/16-18	
8	65439GT	BOLT,CARRIAGE,5/16-18 X 2.0,G2	
9	144009GT	WORKLIGHT BRACKET.....	1
10	65721GT	COIL CORD,WORKLIGHT(144011).....	1
11	144011GT	WORKLIGHT,24V,COIL CORD.....	1

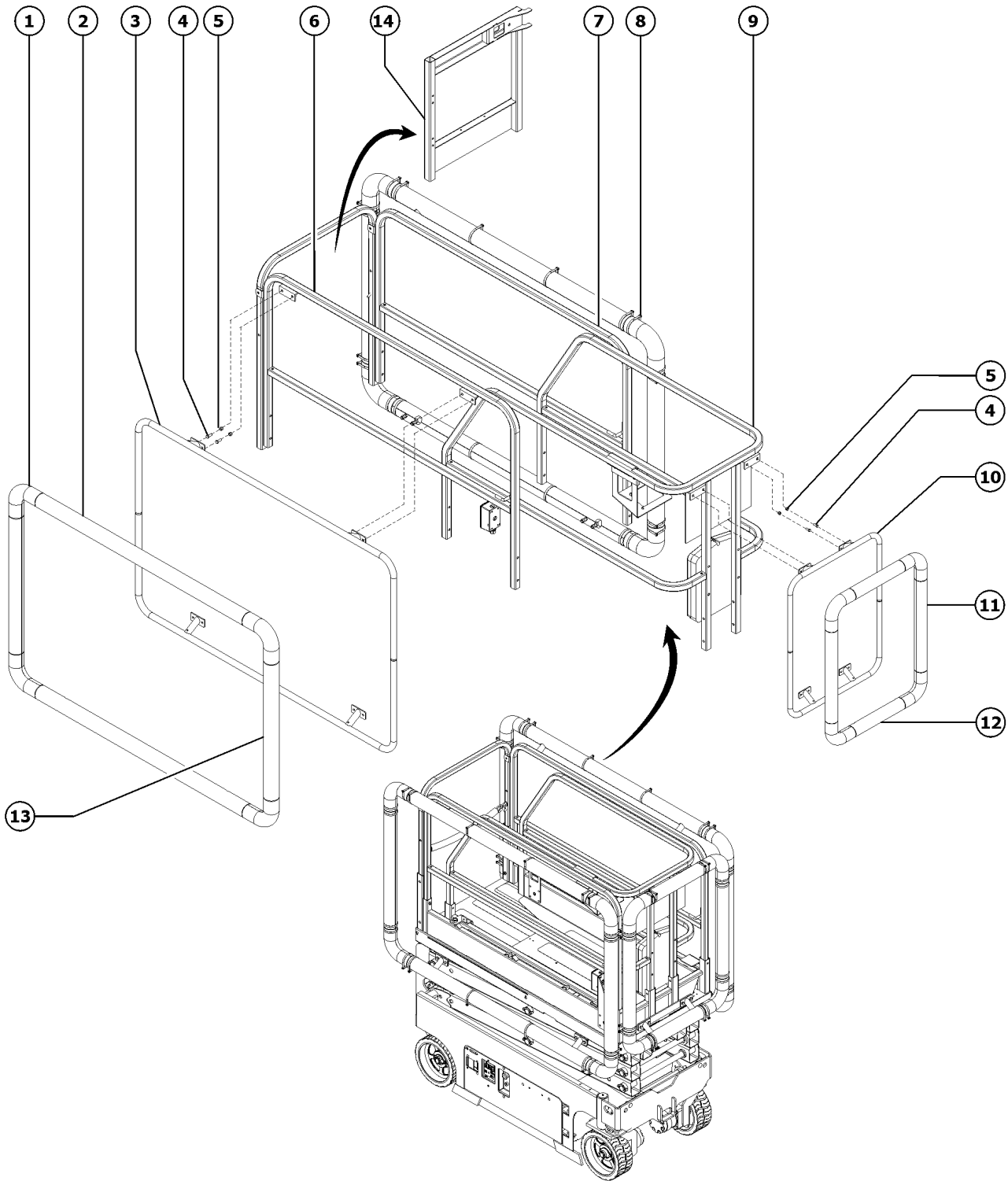
604.1 Voltage Inverter



604.1 Voltage Inverter

Item	Part No.	Description	Qty.
--	105248GT	SERVICE KIT,INVERTER 800W***	
1	96950GT	INVERTER,24VDC,110/230 VAC*** .....1	
2	1255757GT	BOLT,CARRIAGE,3/8-16X1.25,5,ZAG	
3	824029GT	NUT,TL FLG,3/8-16,G,ZAG	
4	824078GT	SCREW,HHF,1/4-20X.75,8,ZAG.....2	
5	105129GT	PLATE, INVERTER MOUNT.....1	

605.1 Padded Auxiliary Rail, GS-1930



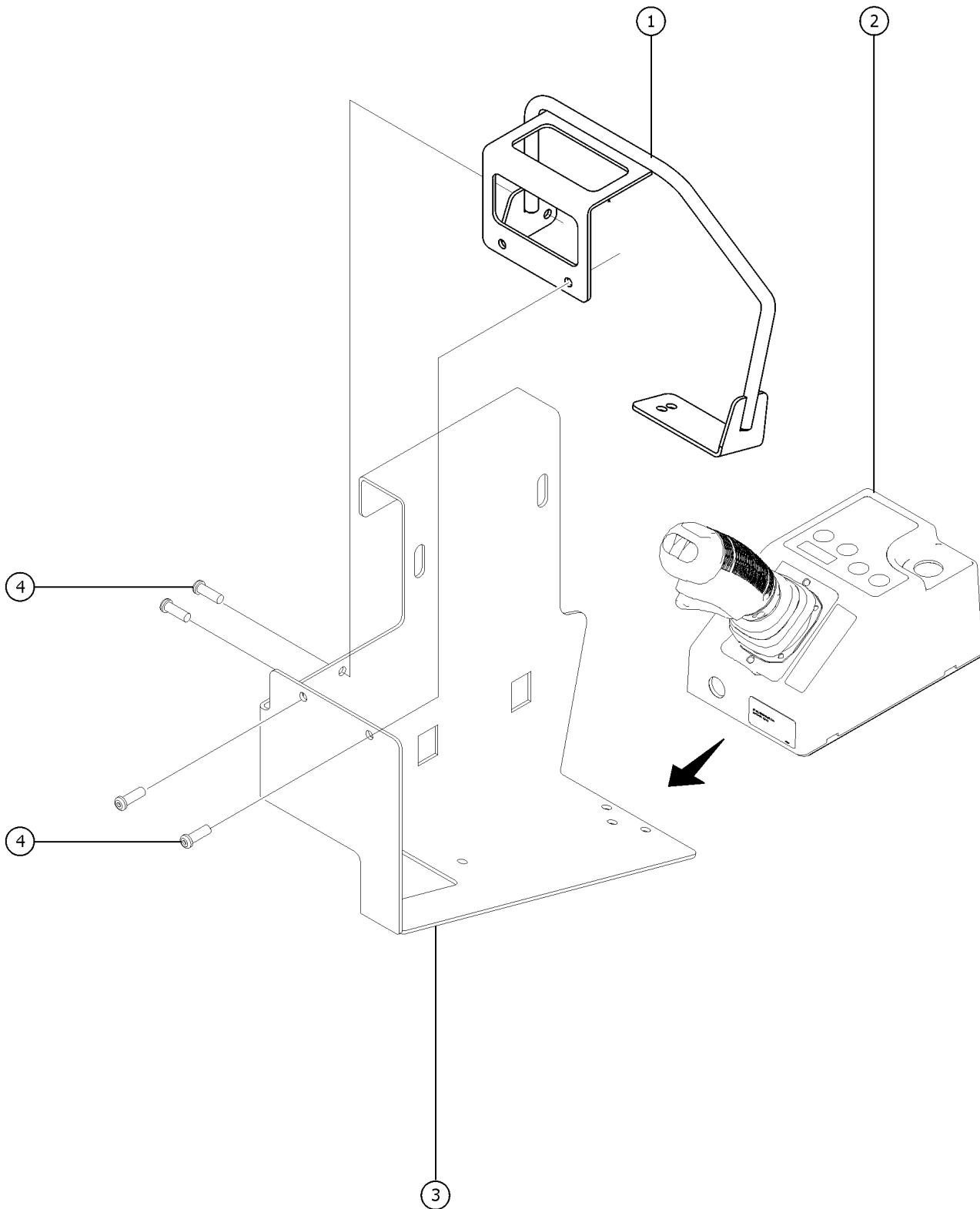
Factory installed option only. After-market kit not available.



605.1 Padded Auxiliary Rail, GS-1930

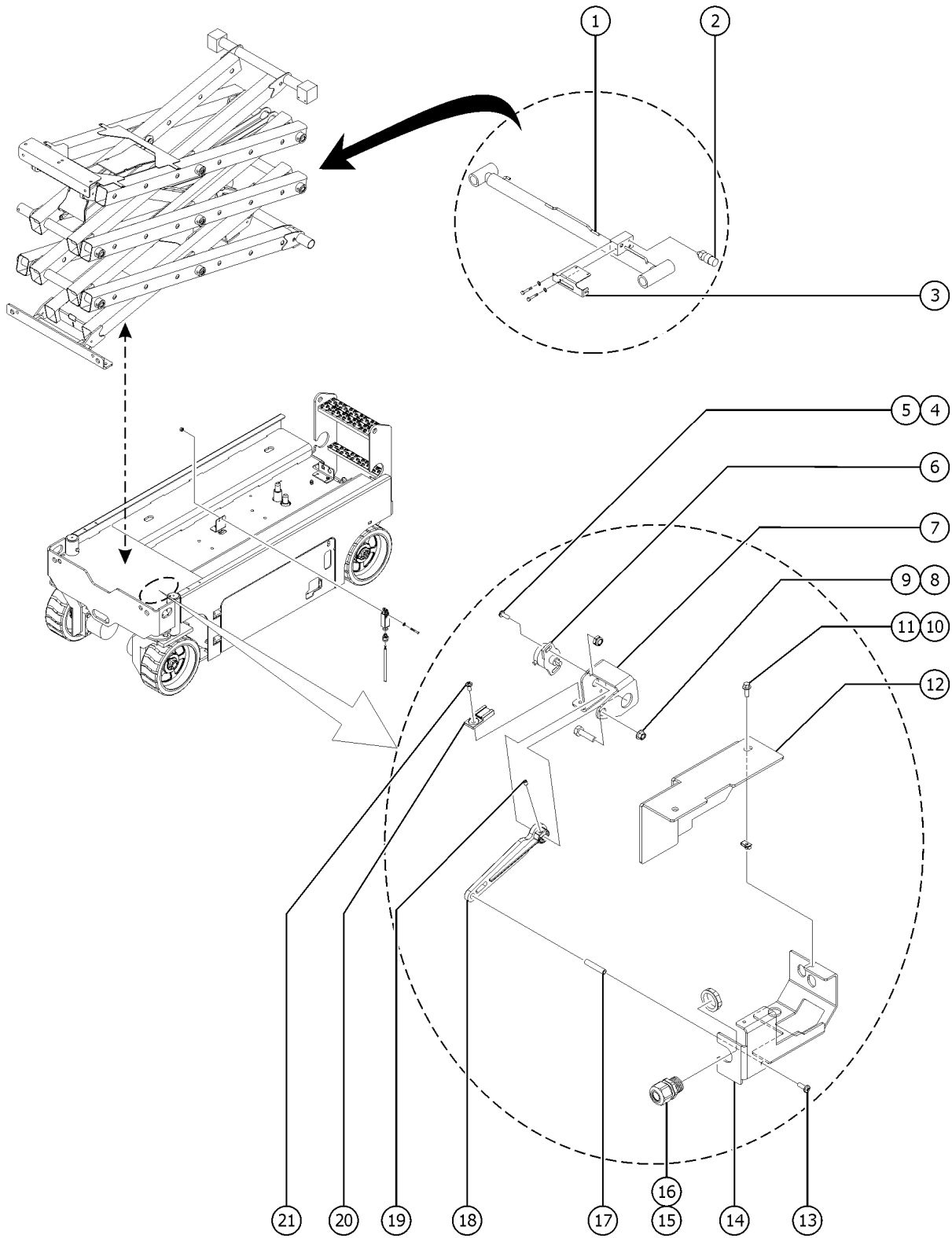
Item	Part No.	Description	Qty.
1	238268GT	BUMPER,FOAM,FRONT ELBOW.....	12
2	825304GT	BUMPER, PAR, SIDE, HORIZONTAL....	4
3	825302GT	WELDMENT, PAR, SIDE.....	2
4	6175GT	SCREW,HHC,3/8-16 X 1	
5	4828GT	NUT,NYLOCK,3/8-16	
6	825313GT	WLDT, MAIN SIDERAIL, PAR, LH.....	1
7	825312GT	WLDT, MAIN SIDERAIL, PAR, RH.....	1
8	229903GT	CABLE TIE, 14.5" YELLOW.....	56
9	825311GT	WLDT, EXT SIDERAIL, PAR.....	1
10	825307GT	WELDMENT, PAR, FRONT.....	1
11	825640GT	BUMPER, PAR, FRONT, VERTICAL.....	2
12	825309GT	BUMPER, PAR, FRONT, HORIZONTAL.....	2
13	825305GT	BUMPER, PAR, SIDE, VERTICAL.....	4
14		Ref. GATE ASSEMBLY <i>(refer to 405.1) (the gate does not include padding)</i>	

606.1 PCON Guard



Item	Part No.	Description	Qty.
1	1283768GT	KIT,PCON GUARD,SLAB/GR <i>includes installation instructions</i>	
--	1279627GT	WELDMENT, PCON GUARD.....	1
2		Ref. PCON, GR/GRC/GS..... <i>refer to 407.1</i>	1
3		Ref. FORMING, PLAT CONTROL, GR/GRC..... <i>refer to 407.1 (holes drilled for PCON Guard option from SN 168058)</i>	4
4	7265GT	RIVET,STEEL,P, .25 X .375.....	4

701.1 Platform Overload



Item	Part No.	Description	Qty.
1		Ref. Lift Cylinder.....1 (refer to 506.1)	1
2	229750GT	HARNESS,PRESS,TRANSDUCER***.....1	1
3	41557-SGT	CABLE BRACKET,PAINTED.....1	1
4	1257296GT	SCREW,PHPM-ST,8-32X.50,TYPE F,ZAG.....2	2
5	1258187GT	NUT,TL,8-32,A,ZAG.....2	2
6	T113136GT	ASSY,ROT SENSR W/ HARNESS.....1	1
7	161979GT	FRMG,ARM SENSOR BRCKT,MINI.....1	1
8	824029GT	NUT,TL FLG,3/8-16,G,ZAG.....1	1
9	824068GT	SCREW,HHC,3/8-16X1.25,8,ZAG.....1	1
10	824078GT	SCREW,HHF,1/4-20X.75,8,ZAG.....2	2
11	56912GT	SPRING CLIP,1/4-20,.025-.15X.54,ZAG.....2	2
12	161977GT	FRMG,SENSOR COVERING.....1	1
13	1251757GT	SCREW,PHPM,10-32X.50,ZAG.....1	1
14	161975GT	FRMG,CHASSIS BRKTING.....1	1
15	33576GT	CONN,SQZ,BLK,1/2NPT,.38-.50,SM.....1	1
16	T115429GT	NUT,CORDGRIP,1/2 NPT.....1	1
17	T113142GT	OFFSET, RDN, 1/4-1.25,10-32.....1	1
18	T114082GT	LEVER ARM,ANGLE SENSR ACTUATOR.....1	1
19	229146GT	SCREW,SET,8-32X.25.....1	1
20	T113139GT	CLIP,DTM,RECEPTACLE.....1	1
21	39579GT	RIVET,STL,STL,.188 X .45.....1	1

## Part Number Index

The Part Number Index is a numeric index of all part numbers included in this manual. The index shows what page(s) the part is used on.

Part Number	Page	Part Number	Page	Part Number	Page	Part Number	Page
104804GT	133	114386GT	17, 19, 33, 45,	1259223GT	102, 106, 110,	137634GT	139
105051GT	71		47, 63		114, 118, 122,	137636GT	53
105055PGT	77	115166GT	153		126, 130	137637GT	87, 137
105067GT	147	119619GT	71	1259266GT	79	137640GT	137
105085GT	97, 99	12013GT	102, 106, 110,	1259719GT	101-102, 105-	137656GT	17, 19, 25, 27,
105090GT	135		114, 118, 122,		106, 109-110,		33, 39, 45, 47,
105117GT	135		126, 130		113-114, 117-		53, 55, 63, 69,
105118GT	135	12016GT	77		118, 121-122,		137
105122GT	71	122994GT	87		125-126, 129-	137668GT	87
105129GT	161	1251757GT	167		130	137699GT	137
105150GT	79	1251799GT	97, 99	1260386GT	155	13921GT	153
105156GT	77	1251997GT	71, 73, 95	1260926GT	106, 114, 122,	14033GT	110, 118, 126
105164GT	145	1254572GT	155		130	144009GT	159
105165GT	145	1255245GT	45	1261143GT	155	144011GT	159
105167GT	145	1255756GT	75	1261183GT	155	144130GT	81
105182GT	97, 99	1255757GT	71, 73, 77, 95,	1261888GT	143	144161GT	135
105183GT	97, 99		161	1263220GT	89	144175GT	133
105184GT	97, 99	1255758GT	71, 77, 101-102,	1263221GT	89	144180GT	81
105185GT	99		105-106	1263321GT	89	144213GT	89
105209GT	93	1255759GT	73	1263542GT	23, 37, 51, 67	144226GT	75
105210GT	93	1255797GT	75	1263646GT	27, 39, 55, 69	144375GT	73
105211GT	93	1255805GT	79	1264372GT	81	144379GT	73
105248GT	161	1256070GT	41, 43	1264822GT	89	1484GT	11
105261GT	153	1256109GT	71	1264834GT	89	161975GT	167
105262GT	153	1256115GT	95	1265361GT	15, 23, 31, 37,	161977GT	167
105263GT	153	1256123GT	71		43, 51, 61, 67	161979GT	167
105264GT	153	1256179GT	73	1268GT	11	18605GT	135
105275GT	77	1256287GT	71, 73	1270162GT	155	19491GT	75, 77
105280GT	97, 99	1256463GT	83, 85	1270281GT	81, 89	20224GT	143
105283GT	153	1256656GT	137	1270456GT	79	20923GT	153
105284GT	153	1256679GT	75, 79	1270598GT	85	21279GT	101-102, 105-
105285GT	153	1256702GT	17, 19, 25, 27,	1271521GT	155		106, 109-110,
105303GT	143		33, 39, 45, 47,	1272119GT	81, 89		113-114, 117-
105304GT	143		53, 55, 63, 69	1272242GT	15, 23, 31, 37,		118, 121-122,
105308GT	83	1256703GT	63		43, 51, 59, 61, 67		125-126, 129-
105310GT	75	1256719GT	87	1272557GT	81		130
105334GT	81	1256721GT	87	1272844GT	81, 91	214544GT	139
105440GT	75	1256725GT	137	1273055GT	75	218579GT	89
105448GT	135	1256727GT	137	1273576GT	81, 91	219480GT	81
105478GT	151	1256807GT	87	1274594GT	105-106, 113-	21982GT	87
105483-SGT	135	1256848GT	97, 99		114, 121-122,	22446GT	133
105543GT	151	1256863GT	79	1274595GT	129-130	226163GT	83, 85
105547GT	141	1257054GT	91		105-106, 113-	22664GT	153
105548GT	151	1257055GT	91		114, 121-122,	228406GT	75
105550GT	141	1257058GT	91		129-130	228786GT	89
105553GT	141	1257059GT	91	1274596GT	105-106, 113-	229086GT	139
105554GT	141	1257082GT	77		114, 121-122,	229087GT	139
105555GT	141	1257102GT	73		129-130	229088GT	139
105556GT	155	1257182GT	17, 45	1274597GT	133	229089GT	139
105557GT	155	1257184GT	19, 33, 47, 63	1274603GT	133	229090GT	139
105565GT	71	1257296GT	167	1276561GT	85	229091GT	139
105653GT	153	1257733GT	11	1276562GT	85	229092GT	139
105739GT	81	1257824GT	89	1277860GT	106, 114, 122,	229093GT	139
105797GT	155	1257923GT	17, 19, 25, 27,		130	229094GT	139
105812GT	135		33, 39, 45, 47,	1278004GT	27, 39	229146GT	167
105818GT	97, 99		53, 55, 63, 69	1278005GT	55, 69	229750GT	89, 167
105971GT	159	1258187GT	167	1278704GT	15, 23, 37, 43,	229845GT	137
105972GT	159	1258393GT	73		51, 67	229903GT	163
105973GT	159	1258394GT	89	1279428GT	81	231103GT	101-102, 105-
105997GT	97, 99	1258567GT	11	1279627GT	165		106
105998GT	97, 99	1258731GT	137	1280158GT	85	231104GT	101-102, 105-
10775GT	135	1259177GT	77	1280665GT	135		106
10777GT	135	1259178GT	77	1283768GT	165	231105GT	109-110, 113-
114334GT	23, 37, 51, 67	1259179GT	77	131582GT	75		114
114337GT	21, 35, 49, 65	1259180GT	77	133213GT	29	231106GT	109-110, 113-
114338GT	25, 27, 39, 53,	1259182GT	102, 106, 110,	133276GT	15, 31, 43, 59, 61		114
	55, 69		114, 118, 122,	133596GT	17, 19, 33, 45,	231107GT	117-118, 121-
114360GT	13, 29, 41, 57		126, 130		47, 63		122
114361GT	13, 21, 29, 35,	1259191GT	73	13585GT	135	231108GT	117-118, 121-
	41, 49, 57, 65	1259193GT	71	137562GT	87		122
114370GT	21, 35, 49, 65	1259194GT	71	137587GT	137	231109GT	125-126, 129-
114372GT	21, 23, 35, 37,	1259195GT	71	137605GT	17, 19, 25, 27,		130
	49, 51, 65, 67	1259197GT	77		33, 39, 45, 47,	231110GT	125-126, 129-
114385GT	13, 15, 29, 31,				53, 55, 63, 69,		130
	41, 43, 57, 59, 61				137		



Part Number Index (continued)

Part Number	Page	Part Number	Page	Part Number	Page	Part Number	Page
62053GT	17, 19, 25, 27	7713GT	109-110, 113-114, 117-118,	82482GT	23, 37, 51, 67	84695GT	95
62054GT	45, 47, 53, 55			82485GT	13, 15, 21, 23	84739GT	147
65435GT	159			82486GT	41, 43, 49, 51	84740GT	147
65439GT	159			82487GT	23, 25, 27, 37, 39, 51, 53, 55, 67, 69	84742GT	147
65721GT	159					84743GT	147
6595GT	135	77709GT	143	82495GT	21, 35, 49, 65	84746GT	147
65962GT	143	78006GT	149	82496GT	53	84748GT	147
65990-SGT	133	78022GT	102, 106, 110, 114, 118, 122, 126, 130	82497GT	39, 69	85197GT	149
66204GT	83, 85			82501GT	25	85239GT	87
6626GT	135	78029GT	133	825020GT	97, 99	88335GT	89
66353GT	135	78038GT	101-102, 105-106, 109-110, 113-114, 117-118, 121-122, 125-126, 129-130	825302GT	163	9116GT	155
66355GT	135			825304GT	163	96008-SGT	87
66356GT	135			825305GT	163	96009GT	87
6637GT	75			825307GT	163	96010GT	87
6638GT	133			825309GT	163	96038GT	77
66397GT	79, 91			825311GT	163	96039GT	77
66399GT	11	78086GT	77	825312GT	163	96066GT	71
66465GT	151	78091GT	153	825313GT	163	96067GT	71
66485GT	101-102, 105-106, 109-110, 113-114, 117-118, 121-122, 125-126, 129-130	78422GT	93, 141	825349GT	79	96068GT	71
		78546GT	11, 83, 85	825358GT	77, 79	96069GT	71
		78622GT	141	82557GT	17, 19, 33, 45, 47, 63	96074GT	71
		78680GT	73			96085GT	77
		78736GT	71, 75	82558GT	15, 31, 43, 59, 61	96102GT	73
66544GT	133	79140GT	91	82559GT	15, 31, 43, 59, 61	96110GT	91
66551GT	133	81579GT	155	82560GT	23, 37, 51, 67	96121GT	97, 99
66717GT	79, 91	8178GT	133	82561GT	13, 15, 29, 31, 41, 43, 57, 59, 61	96126GT	95
66770GT	71	82160GT	15, 31, 43, 59, 61			96130GT	97, 99
66812GT	87, 137	82161GT	15, 31, 43, 59, 61	82562GT	21, 23, 35, 37, 49, 51, 65, 67	96131GT	97, 99
66817GT	87, 137	82287GT	63, 69			96163GT	133
66818GT	87	823368GT	75	82563GT	45, 47, 63	96193GT	149
66883GT	133	823408GT	83, 85	82564GT	163	96200GT	101-102, 105-106, 109-110, 113-114, 117-118, 121-122, 125-126, 129-130
66886GT	101-102, 105-106, 109-110, 113-114, 117-118, 121-122, 125-126, 129-130	82366GT	15, 31, 43, 59, 61	82564GT	17, 19, 33		
		824025GT	77, 97	82565GT	17, 45	96236GT	135
		824027GT	71, 75, 79, 83, 85, 87, 93, 97, 99, 155	82566GT	33, 63	96246GT	101-102, 105-106, 109-110, 113-114, 117-118, 121-122, 125-126, 129-130
		824029GT	71, 73, 75, 77, 93, 95, 99, 102, 106, 110, 114, 118, 122, 126, 130, 155, 161, 167	82568GT	33, 39		
66889-SGT	101-102, 105-106, 109-110, 113-114, 117-118, 121-122, 125-126, 129-130			82570GT	13, 15, 21, 23, 29, 31, 35, 37		
				82571GT	41, 43, 49, 51, 57, 59, 61, 65, 67		
				82656GT	25, 53		
				82657GT	13, 29, 41, 57		
				83093GT	87		
		824032GT	75, 155	83131GT	87	96247GT	101-102, 105-106, 109-110, 113-114, 117-118, 121-122, 125-126, 129-130
66890-SGT	101-102, 105-106, 109-110, 113-114, 117-118, 121-122, 125-126, 129-130	824037GT	79	84384GT	143		
		824038GT	77, 101-102, 105-106	84385GT	143		
		824068GT	167	84386GT	143		
		824077GT	151	84422GT	151		
		824078GT	83, 85, 102, 106, 109-110, 113-114, 118, 122, 125-126, 129-130, 161, 167	84571GT	71		
66903-SGT	133			84574GT	77	96257GT	141
6700GT	87			84578GT	97	96275GT	125-126
6782GT	159			84579GT	99	96283GT	97, 99
6878GT	135			84580GT	99	96304GT	91
6886GT	159	824080GT	79, 83, 85, 97, 99	84581GT	97, 99	96306GT	91
6889GT	155	824081GT	93	84582GT	97, 99	96309GT	89
69229GT	159	824090GT	155	84583GT	97, 99	96317GT	77
6935GT	135	824094GT	102, 106, 110, 114, 118, 122, 126, 130	84586GT	101-102, 105-106, 109-110, 113-114, 117-118, 121-122, 125-126, 129-130	96331GT	97, 99
7056GT	135					96335GT	101-102, 105-106, 109-110, 113-114, 117-118, 121-122, 125-126, 129-130
7127GT	135	824100GT	149				
72086GT	13, 15, 21, 23, 29, 31, 35, 37, 41, 43, 49, 51, 57, 59, 61, 65, 67	824110GT	149	84587GT	101-102, 105-106, 109-110, 113-114, 117-118, 121-122, 125-126, 129-130	96336GT	101-102, 109-110, 117-118, 125-126
		824113GT	83, 85				
		824124GT	79, 83, 85, 87, 93, 155				
72143GT	15, 23, 31, 37, 43, 51, 59, 61, 67	824125GT	75, 93				
		824128GT	71, 77				
72326GT	75, 155	824164GT	97, 99			96350GT	153
7265GT	165	824215GT	155	84590GT	101-102, 105-106, 109-110, 113-114, 117-118, 121-122, 125-126, 129-130	96351GT	153
72853GT	15, 31, 43, 59, 61	824216GT	75			96353GT	153
72970GT	13, 29, 41, 57	824273GT	23, 37, 51, 67			96354GT	83, 153
72998GT	15, 31, 43, 59, 61	82474GT	21, 23, 35, 37, 49, 51, 65, 67			96355GT	83, 153
72999GT	15, 31, 43, 59, 61					96363GT	155
74006GT	135	82476GT	21, 23, 35, 37, 49, 51, 65, 67			96388GT	141
74267GT	79					96391GT	153
76502GT	79	82481GT	21, 35, 49, 65	84693GT	95	96398GT	153
				84694GT	95	96408GT	77

Part Number	Page	Part Number	Page
96413GT	101-102, 105-106, 109-110, 113-114, 117-118, 121-122, 125-126, 129-130	97582GT	27, 55
96415GT	95	97618GT	19, 47
96419GT	141	97719GT	23, 37, 51, 67
96452GT	87		105-106
96459GT	89	T106362GT	87
96465GT	73	T106363GT	87
96466GT	73	T106366GT	87
96487GT	97, 99	T106370GT	137
96493GT	75	T106372GT	87
96515-SGT	157	T106373GT	137
96516-SGT	157	T107029GT	13, 29, 41, 57
96524GT	77	T107031GT	15, 31, 43, 59, 61
96541GT	77	T108326GT	83, 85
96542GT	157	T108327GT	87
96576GT	95	T109012GT	83, 85
96642GT	77	T110891GT	89
96699GT	83, 85, 155	T112507GT	75, 89
96709GT	83, 85	T112508GT	89
96770GT	151	T112509GT	89
96839GT	77	T112510GT	89
96847GT	102, 106, 109-110, 113-114, 118, 122, 125-126, 129-130	T112511GT	89
		T112563GT	135
96848GT	101-102, 109-110, 117-118, 125-126	T112804GT	15, 23, 31, 37, 43, 51, 59, 61, 67
96849GT	101-102, 105-106, 109-110, 113-114, 117-118, 121-122, 125-126, 129-130	T112807GT	27, 39
		T112808GT	55, 69
96855GT	83, 85	T113136GT	89, 167
96948GT	75, 77	T113139GT	167
96950GT	161	T113142GT	167
97034GT	101-102, 105-106, 109-110, 113-114, 117-118, 121-122, 125-126, 129-130	T113296GT	83, 85
		T113787GT	101-102, 105-106, 109-110, 113-114, 117-118, 121-122, 125-126, 129-130
97041GT	101-102, 109-110, 117-118, 125-126	T114031GT	89
97059GT	81	T114082GT	167
97105GT	133	T114321GT	141
97110GT	133	T114397GT	137
97115GT	101-102, 105-106	T115429GT	167
97118GT	101-102, 105-106		
97119GT	117-118, 121-122		
97122GT	117-118, 121-122		
97123GT	101-102, 105-106, 109-110, 113-114, 117-118, 121-122, 125-126, 129-130		
97128GT	75, 77		
97132GT	102, 106, 109-110, 113-114, 118, 122, 125-126, 129-130		
97213GT	101-102, 109-110, 117-118, 125-126		
97280GT	133		

## Part Description Index

The Part Description Index is an alphabetical index of all part descriptions included in this manual. The index shows what page(s) the part is used on.

"

"Ref.Wheel and Tire Assy ".....77

**A**

ACCESSORY,MINI CHK VAL MANIF.....145  
 ACCUMULATOR,180 PSI PRECHARGE\*...93,  
 141  
 ADAPTER, RJ45, GC27-25/GC21-19.....87  
 AIR TO PLAT, GS15, ACC.....157  
 AIR TO PLAT, GS19, ACC.....157  
 ALARM,STEADY TONE\*\*\*.....75, 137, 155  
 ASSEMBLY, BEACON LED, 24V.....155  
 ASSEMBLY, CHARGER STATUS LED, 2V,  
 BCI.....81  
 ASSEMBLY, DOWN LIMIT, GS.....75, 89  
 ASSEMBLY, VISUAL IND LIGHT.....155  
 ASSEMBLY,CHARGER STATUS LED,2V.....89  
 ASSY,GS BATTERY TRAY.....79  
 ASSY,LVL SNSR W/ CONNECTOR.....75  
 ASSY,POT HOLE PUSHER,GS\*\*\*.....77  
 ASSY,POTHOLE HARNESS,GS.....89  
 ASSY,ROT SNSR W/ HARNESS.....89, 167

**B**

BALL STUD, GAS STRUT, 3/8-16.....77  
 BASE WITH 1 NC CONTACT, E-STOP.....87,  
 137  
 BATTERY, AGM, 6V, (TROJAN) \*\*\*.....79  
 BATTERY,T105 W/LPT,3 CAP,DRY\*\*.....79  
 BEARING,0.75IDX1.00ODX0.75L.....95  
 BEARING,0.75IDX1.00ODX1.38L.....77  
 BEARING,1.26IDX1.53ODX1.25L.....97, 99  
 BEARING,1.5025IDX1.5075ODX1.5L.....151  
 BEARING,1.523IDX1.75ODX0.63L.....77  
 BEARING,1.5IDX1.75ODX1.5L,PTFE.....71  
 BEARING,FL,0.75ID X 1 OD X .49.....71  
 BEARING,MOTOR.....149  
 BEARING,MOTOR,36843,BRUSH END\*....149  
 BOLT,CARRIAGE,1/2-13X1.5,5,ZAG.....73  
 BOLT,CARRIAGE,1/2-13X1.75,5,ZA.....95  
 BOLT,CARRIAGE,1/2-13X2.5,ZAG.....73  
 BOLT,CARRIAGE,1/4-20 X .75,G2.....135  
 BOLT,CARRIAGE,1/4-20 X 1.25,G2.....155  
 BOLT,CARRIAGE,1/4-20X.75,5,ZAG.....79, 83,  
 85, 87, 93, 155  
 BOLT,CARRIAGE,1/4-20X1.25,5,ZAG.....83, 85  
 BOLT,CARRIAGE,1/4-20X1.5,5,ZAG.....75  
 BOLT,CARRIAGE,1/4-20X2.5,ZAG.....75  
 BOLT,CARRIAGE,3/8-16X1.5,ZAG.....75, 93  
 BOLT,CARRIAGE,3/8-16X1.25,5,ZAG.....71,  
 73, 77, 95, 161  
 BOLT,CARRIAGE,3/8-16X2.25,5,ZAG.....106,  
 114, 122, 130  
 BOLT,CARRIAGE,5/16-18 X 2.0,G2.....159  
 BOLT,SHS,3/8X.375X5/16-18,ZAG.....102, 106,  
 110, 114, 118, 122, 126, 130  
 BOOT, 2 SWITCH, SILICON.....139  
 BOOT,CABLE TERMINAL COVER.....91  
 BOOT,CABLE TERMINAL,RED,XL.....91  
 BOX,INSTRUCTION STORAGE.....102, 106,  
 110, 113-114, 118, 122, 126, 129-130  
 BRACKET,FOOT PEDAL...101-102, 105-106,  
 109-110, 113-114, 117-118, 121-122, 125-  
 126, 129-130

BRACKET,LIMIT SWITCH MTG\*\*\*.....77  
 BRAKE, HYDRAULIC\*\*\*.....141  
 BREATHER CAP, HYD. TANK, 1/4 NPT.....11,  
 83, 85  
 BRUSH,PWR UNIT (40844)\*\*.....149  
 BULB,FLASHING BEACON.....155  
 BULKHEAD,FEMALE X 6 X 6.....157  
 BUMPER, PAR, FRONT, HORIZONTAL.....163  
 BUMPER, PAR, FRONT, VERTICAL.....163  
 BUMPER, PAR, SIDE, HORIZONTAL.....163  
 BUMPER, PAR, SIDE, VERTICAL.....163  
 BUMPER,FOAM,FRONT ELBOW.....163  
 BUSHING,FLNGD,.63 X .77 X .38.....77  
 BUTTON, .800 O.D. X .281.....101-102, 105-  
 106, 109-110, 113-114, 117-118, 121-122,  
 125-126, 129-130  
 BUTTON,PUSH,RED MUSHROOM  
 HEAD.....87, 137

**C**

CABLE ASSY,BATT, 12" RED.....91  
 CABLE ASSY,BATT, 20" BLK.....91  
 CABLE ASSY,BATT,23"RED.....91  
 CABLE ASSY,BATT,5.50"RED.....91  
 CABLE ASSY,BATT,9.50"RED.....91  
 CABLE ASSY,CHARGER/BATTERY.....81, 91  
 CABLE ASSY., BATT. 12" BLACK.....91  
 CABLE ASSY., BATT. 14" RED.....91  
 CABLE ASSY., BATT. 75" RED.....91  
 CABLE ASSY., BATT. 79" BLACK.....91  
 CABLE BRACKET,PAINTED.....151, 167  
 CABLE TIE, 14.5" YELLOW.....163  
 CABLE TIE,11.5" BLACK.....133, 151, 157, 159  
 CABLE, LIFT CYL DOWN, W/ LS.....89  
 CABLE, PLATFORM CONTROL, 15XX.....89  
 CABLE, PLATFORM CONTROL, 19XX.....89  
 CABLE,CHARGER, DC, W/ BTS.....81, 91  
 CABLE,EMERGENCY DOWN.....75  
 CABLE,LFT CYL DN,15/19XX,W0/LS.....89  
 CAM FOLLOWER,1.125X.375,DELIRIN.....77  
 CAP, TUBE, SQ,1.125 X .083.....101-102, 105-  
 106, 109-110, 113-114, 117-118, 121-122,  
 125-126, 129-130  
 CAP,BUTTON,K12.....137  
 CAP,DIAGNOSTIC NIPPLE.....143  
 CHAIN GATE KIT,GS30.....133  
 CHAIN,3/16,OPEN LINK 22.5".....133  
 CHARGER INTERLOCK CBLE,GS30/32.....89  
 CHARGER,24V,650W,USB.....81  
 CHARGER,BAT,24VDC,H/LO GEN2.....81  
 CHASSIS MOUNT ASSY, GS30.....95  
 CHECK DISK, NO SPRING.....143  
 Check Valve Manifold.....153  
 CIRCUIT BREAKER,7.0 AMP\*\*\*.....87  
 CLAMP,1.31,#21 X 1/4,RUB CUSH.....159  
 CLAMP,2 HOSE,PLASTIC,5/8.....71, 75  
 CLAMP,CABLE & HOSE.....93  
 CLAMP,HOSE,1 EAR, 11/16.....151  
 CLAMP,HOSE,1 EAR,1-1/16\*\*\*.....83, 85  
 CLAMP,HOSE,2 EAR, 5/8.....157  
 CLIP, CABLEBRIDGE, MINI.....99  
 CLIP,DTM,RECEPTACLE.....167  
 CLIP,HAIR PIN,.125X2,-5-.75,ZA.....71  
 COIL CORD,WORKLIGHT(144011).....159  
 COIL,#8 20VDC,DEUTSCH W/DIOD.....143  
 COIL,20VDC DEUTSCH W/DIODE.....143

COIL-SOLENOID VALVE,20V DC\*\*\*.....151  
 CONN,SQZ,BLK,1/2NPT,.38-50,SM.....167  
 CONN,SWIVEL STR, THR, 6F650X.....153  
 CONN. SQZ, 1/2 NPT .38-50, SM.....135  
 CONNECTOR, 070120-12-8.....153  
 CONNECTOR, IEC CHARGER CORD.....81  
 CONNECTOR,070120-4-4.....147, 153  
 CONNECTOR,070120-4-6.....153  
 CONNECTOR,070120-6-6.....151, 153  
 CONNECTOR,070120-8-6.....153  
 CONTACT,NC.....87  
 CONTACTOR,DRIVE,24V,180A.....79  
 CONTACTOR,DRIVE,24V,180A\*\*\*.....79  
 CONTACTOR,LIMIT SWITCH.....75, 77  
 COUNTERWEIGHT,CAST,CE,1930/32.....73  
 COUPLER,1/4"SERIES 3/8 MPT.....157  
 COVER, RJ45, GC27-25/GC21-19.....87  
 COVER,BLANK.....135  
 COVER,GFCI,HORIZONTAL,WEATHER....135  
 COVER,T-BOX LOCKABLE.....135  
 COVER-BRUSH INSPEC.40844,SCISS.....149  
 CYLINDER, MINI LIFT.....151  
 CYLINDER,GS/GR STEER\*\*\*.....141

**D**

DECAL.....137  
 DECAL DANGER TIP OVER TRAYS.....13, 15,  
 29, 31, 41, 43, 57, 59, 61  
 DECAL PLATE ASSY W/SYM DECALS....101-  
 102, 105-106, 109-110, 113-114, 117-118,  
 121-122, 125-126, 129-130  
 DECAL PLATE ASSY,GS30,ANSI.....101-102,  
 105-106, 109-110, 113-114, 117-118, 121-  
 122, 125-126, 129-130  
 DECAL PLATE ASSY,GS30,AUSTRAL.....101-  
 102, 105-106, 109-110, 113-114, 117-118,  
 121-122, 125-126, 129-130  
 DECAL SYMBOL TIP OVER TRAYS.....21, 23,  
 35, 37, 49, 51, 65, 67  
 DECAL, BATTERY CHARGER INDICAT.....15,  
 23, 31, 37, 43, 51, 61, 67  
 DECAL, COMPARTMENT ACCESS.....23, 37,  
 51, 67  
 DECAL, LABEL - CHEVRON RANDO.....15,  
 31, 43, 59, 61  
 DECAL, LABEL - DIRECTION ARROWS....17,  
 19, 25, 27, 33, 39, 45, 47, 53, 55, 63, 69  
 DECAL, LABEL, SAFETY ARM SYMB.....23,  
 37, 51, 67  
 DECAL, OP INST, PLAT, GS30, ANSI.....17, 45  
 DECAL, OP INST, PLAT, GS30, AUS....19, 33,  
 47, 63  
 DECAL, SMARTLINK PROPORTIONAL.....17,  
 19, 25, 27, 33, 39, 45, 47, 53, 55, 63, 69  
 DECAL, STD, PROP LIFT, UI, SVC.....63  
 DECAL, SYMBOL, CE, MAXIMUM CAPACITY,  
 227KG.....55, 69  
 DECAL, SYMBOL, CE, MAXIMUM CAPACITY,  
 272KG.....27, 39  
 DECAL, UI, GR/GRC/GS PCON.....53  
 DECAL, UI, GS/GR, PROP LIFT.....17, 19, 25,  
 27, 33, 39, 45, 47, 53, 55, 63, 69, 137  
 DECAL,CHARGE STATUS IND.....15, 23, 37,  
 43, 51, 67  
 DECAL,COSMETIC,GENIE GS-1530\*.....17,  
 19, 25, 27

- DECAL,COSMETIC,GENIE GS-1532.....33, 39  
 DECAL,COSMETIC,GENIE GS-1930\*\*.....45, 47, 53, 55  
 DECAL,COSMETIC,GENIE GS-1932.....63, 69  
 DECAL,DANGER DO NOT ALTER SWTC.....13, 29, 41, 57  
 DECAL,DANGER,BATTERY SAFETY\*\*\*.....13, 29, 41, 57  
 DECAL,DANGER,BRAKE REL SAFETY....13, 29, 41, 57  
 DECAL,DANGER,CRUSHING HAZARD.....13, 15, 29, 31, 41, 43, 57, 59, 61  
 DECAL,DANGER,ELEC HAZARD,GS.....13, 15, 29, 31, 41, 43, 57, 59, 61  
 D E C A L , D A N G E R , E L E C T HAZARD,PLUG.....13, 15, 29, 41, 43, 57  
 DECAL,DANGER,IMPROPER USE HAZ....15, 31, 43, 59, 61  
 DECAL,DANGER,TIP-OVER,TILT.....17, 19, 33, 45, 47, 63  
 DECAL,DANGER-GEN SAFETY.....17, 19, 33, 45, 47, 63  
 DECAL,DANGER-TIP-OVER,BATT.....13, 29, 41, 57  
 DECAL,DANGER-USE SAFETY ARM.....13, 15, 29, 31, 41, 43, 57, 59, 61  
 DECAL,E-STOP,GR/GRC/GS PCON....17, 19, 25, 27, 33, 39, 45, 47, 53, 55, 63, 69, 137  
 DECAL,EMERGENCY LOWERING.....15, 31, 43, 59, 61  
 DECAL,EMERGENCY STOP,GR....15, 23, 31, 37, 43, 51, 59, 61, 67  
 DECAL,GCON PANEL,GS.....15, 23, 31, 37, 43, 51, 59, 61, 67  
 DECAL,INSTR-INDOOR USE,AUS.....19, 47  
 DECAL,INSTR-MANUAL FRC,AUS.....33, 63  
 DECAL,INSTR-MAX CAP 400 LBS.....45  
 DECAL,INSTR-MAX CAP 500 LBS.....45, 47, 63  
 DECAL,INSTR-MAX CAP 600LBS....17, 19, 33  
 DECAL,INSTR-SIDE FRC,ANSI.....17, 45  
 D E C A L , I N S T R U C T , B A T T E R Y CONNECT.....13, 29, 41, 57  
 DECAL,INSTRUCT-ANNUAL INSP REQ....15, 31, 43, 59, 61  
 DECAL,INSTRUCTIONS-CHARGER OP....13, 29, 41, 57  
 DECAL,LABEL,AIR LINE 110 PSI...15, 17, 19, 23, 25, 27, 31, 33, 37, 39, 43, 45, 47, 51, 53, 55, 59, 61, 63, 67, 69  
 DECAL,LABEL,AUX LOWERING....23, 37, 51, 67  
 DECAL,LABEL,FAULT CODES.....17, 19, 33, 45, 47, 63  
 DECAL,LABEL,LIFTING EYE....13, 15, 21, 23, 29, 31, 35, 37, 41, 43, 49, 51, 57, 59, 61, 65, 67  
 DECAL,LABEL,MANUAL NOT HERE...17, 19, 33, 45, 47, 63  
 DECAL,LABEL,PETRO CANADA\*\*\*.....15, 31, 43, 59, 61  
 DECAL,LABEL,PLAT CONT LOCATION.....17, 19, 33, 45, 47, 63  
 DECAL,LABEL,PWR TO CHARGR 115V....13, 15, 23, 29, 37, 41, 43, 51, 57, 67  
 DECAL,LABEL,PWR TO CHARGR 230V....13, 15, 23, 29, 37, 41, 43, 51, 57, 67  
 DECAL,LABEL,QUINTOLUBRIK.....15, 31, 43, 59, 61  
 DECAL,LABEL,SAFETY ARM...15, 31, 43, 59, 61  
 DECAL,LABEL,STATOIL HYDRA WAY.....15, 31, 43, 59, 61  
 DECAL,LABEL,TIRE SPECS....13, 15, 29, 31, 41, 43, 57, 59, 61  
 DECAL,LABEL,TRANSPORT TIEDOWN\*..13, 15, 21, 23, 29, 31, 35, 37, 41, 43, 49, 51, 57, 59, 61, 65, 67  
 DECAL,LABEL,UCON HYDROLUBE....15, 31, 43, 59, 61  
 DECAL,LABEL,WHEEL LOAD 1530.....13, 15, 21, 23  
 DECAL,LABEL,WHEEL LOAD 1930.....41, 43, 49, 51  
 DECAL,LABEL,WHEEL LOAD 19XX....41, 43, 49, 51, 57, 59, 61, 65, 67  
 DECAL,LABEL,WHEEL LOAD,1930PAR....41, 43  
 DECAL,LABEL-TRANSPORT DIGRAM.....13, 21, 29, 35, 41, 49, 57, 65  
 DECAL,LABEL-WHEEL LOAD 1530/32.....13, 15, 21, 23, 29, 31, 35, 37  
 DECAL,LANYARD ANCHORAGE POINT...17, 19, 25, 27, 33, 39, 45, 47, 53, 55, 63, 69  
 DECAL,MACHINE REGISTRATION/OWNER TRANSFER.....15, 23, 31, 37, 43, 51, 59, 61, 67  
 DECAL,MEMBRANE, GR/GRC/GS GCON...87  
 DECAL,NOTICE-DO NOT OPEN DOOR.....29  
 DECAL,OP INST,GCON.....15, 31, 43, 59, 61  
 DECAL,POWER TO PLATFORM 115V.....15, 17, 19, 23, 25, 27, 31, 33, 37, 39, 43, 45, 47, 51, 53, 55, 59, 61, 63, 67, 69  
 DECAL,POWER TO PLATFORM 230V.....15, 17, 19, 23, 25, 27, 31, 33, 37, 39, 43, 45, 47, 51, 53, 55, 59, 61, 63, 67, 69  
 DECAL,PROPEL,GR/GRC/GS,PCON.....17, 19, 25, 27, 33, 39, 45, 47, 53, 55, 63, 69, 137  
 DECAL,QR CODE,PARTS&SERVICE MANUAL.....27, 39, 55, 69  
 DECAL,SYM MAX CAP 227 KG,CE.....55, 69  
 DECAL,SYM MAX CAP 272 KG,CE.....27, 39  
 DECAL,SYM-ELEC HAZARD,PLUG.....23, 37, 51, 67  
 DECAL,SYM-MAXCAP 500.....53  
 DECAL,SYM-MAXCAP 600.....25  
 DECAL,SYM-SIDE FORCE 445N.....25, 53  
 DECAL,SYM-SIDEFORCE 200400.....39, 69  
 DECAL,SYM-SIDEFORCE 400N ID.....27, 55  
 DECAL,SYM-TIP-OVER,LIM SWITCH.....21, 35, 49, 65  
 DECAL,SYM-TIP-OVER,TILT ALARM.....25, 27, 39, 53, 55, 69  
 DECAL,SYMBOL-BATTERY SAFETY.....21, 35, 49, 65  
 DECAL,SYMBOL-BRAKE REL SAFETY....21, 35, 49, 65  
 DECAL,SYMBOL-COMP ACCESS.....23, 37, 51, 67  
 DECAL,SYMBOL-CRUSHING HAZARD.....21, 23, 35, 37, 49, 51, 65, 67  
 DECAL,SYMBOL-ELEC HAZARD,GS.....21, 23, 35, 37, 49, 51, 65, 67  
 DECAL,SYMBOL-READ THE MANUAL.....23, 25, 27, 37, 39, 51, 53, 55, 67, 69  
 DECAL,SYMBOL-SKIN INJECT HAZRD....23, 37, 51, 67  
 DECAL,SYMBOL-USE SAFETY ARM.....21, 23, 35, 37, 49, 51, 65, 67  
 DECAL,WARN,IMPROPER OPERATION...17, 19, 33, 45, 47, 63  
 DECAL,WARN,SKIN INJECTION HAZ\*....15, 31, 43, 59, 61  
 DECAL,WARNING-COMPART ACCESS....15, 31, 43, 59, 61  
 DECAL-SYM-TIP-OVR,BATTRIES.....21, 35, 49, 65  
 DIAGNOSTIC FEMALE Q-DSCNT.....143
- ## E
- ELBOW,070220-12-10.....153  
 ELBOW,070220-4-4.....153  
 ELBOW,070220-6-6.....153  
 ELBOW,070220-6-8.....153  
 ELBOW,070320-6-6.....153  
 ELBOW,SWIVEL NUT 90DEG, -6.....153  
 ENCLOSING BAND KIT.....149  
 ENCLOSURE, GC21-19, BK.....87  
 ENCLOSURE,GC14-1/GC16-1, BOT.....137  
 ENCLOSURE,GC27-25/GC21-19,FRNT.....87  
 ENCLOSURE,STD 4-BUTTON,TOP.....137  
 END RAIL,SWING GATE,RIGID.....133  
 ENTRY SWING TUBE.....101-102, 105-106, 109-110, 113-114, 117-118, 121-122, 125-126, 129-130  
 EXT RAIL ASSY, UPPER, GS30.....101-102, 105-106, 109-110, 113-114, 117-118, 121-122, 125-126, 129-130
- ## F
- FIELD ASSY,REC.CHARGER PLUG.....135  
 FILTER ASSY,FIBRGLS,#8-#8.....141  
 FILTER ASSY,SAE8,10 MIC,PAPR\*\*.....141  
 FILTER CAP (PLUG 1-1/2" NPT HEX.....83, 85  
 FILTER ELEMENT,10MICRON,PAPER\*.....11, 141  
 FILTER ELEMENT,BETA(10)=200.....141  
 FITTING,STRAIGHT DRIVE-IN ZERK.....71  
 FIXED RAILS ASSY, GS30 SYMBOL.....102, 106, 109-110, 113-114, 118, 122, 125-126, 129-130  
 FIXED RAILS ASSY,GS30,ANSI.....101-102, 105-106, 109-110, 113-114, 117-118, 121-122, 125-126, 129-130  
 FIXED RAILS ASSY,GS30,AUSTRAL.....102, 105-106, 109-110, 113-114, 118, 121-122, 125-126, 129-130  
 FLASH DRIVE,SL1K2.0 SOFTWARE.....137  
 FOAM,CLOSED CELL 1.75X.250X18".....133  
 FOOTPEDAL W/NON-SKID TAPE,GS\*\*.....101-102, 105-106, 109-110, 113-114, 117-118, 121-122, 125-126, 129-130  
 FORMING, ACCUMULATOR BRACKET.....93  
 FORMING, ACCUMULATOR CLAMP.....93  
 FORMING, ALARM BRACKET,MINI.....75  
 FORMING, FILTER-CNTRLR MOUNT.....83  
 FORMING, HALF GATE HINGE.....133  
 FORMING, HALF GATE, HINGE SIDE.....133  
 FORMING, PLUG/LED BRACKET.....75  
 FORMING, CONTACTOR MOUNT,GS.....79  
 FORMING, CONTROL PANEL.....87  
 FORMING, FILTER-CONTROLLER MOUNT.....85  
 FORMING, HOSE CLAMP SUPPORT.....71  
 FORMING, PADLOCK BRACKET.....149

## Part Description Index (continued)

FORMING,PLAT CONTROL BOX.....137  
 FORMING,REC.PLG BRKT.....75  
 FRMG,ARM SENSOR BRCKT,MINI.....167  
 FRMG,CHASSIS BRKTING.....167  
 FRMG,SENSOR COVERING.....167  
 FUSE BLOCK, ANN & ANL FUSE.....79, 91  
 FUSE,275 AMP,VERY FAST ACTING.....79, 91  
 FUSE,BATTERY CHARGER\*\*\*.....81

**G**

GAS SHOCK,SCISSORS\*\*\*.....77  
 GASKET, UK & DIN PWR. TO PLAT.....135  
 GASKET, UK RECEPTACLE.....135  
 GASKET,(BOOT) FLANGE INLET PLG.....135  
 GCON,STD,PROP LIFT.....87  
 GLIDE BUTTON, FOLDING RAILS...106, 114,  
 122, 130  
 GREASE,DIELECTRIC 4 OZ\*\*.....11  
 GROMMET,RUBBER 2.5 X 3.0.....75  
 GROMMET,RUBBER,1.50IDX.375.....75  
 GROMMET,SLAB HYD TANK\*\*\*.....83, 85  
 GROUND STRAP,12"LG\*\*\*.....77  
 GROUND WIRE ASSY,GS.....91  
 GS30 RIDGID MAIN SIDE SQ RAIL.....101-  
 102, 105-106, 109-110, 113-114, 117-118,  
 121-122, 125-126, 129-130

**H**

HANDLE HALF,LEFT,W/TOP SWITCH.....139  
 HANDLE HALF,RIGHT,W/TOP SWITCH.....139  
 HANDLE,ANDERSON CONNECTOR SB...149  
 HARNESS ASSEMBLY, INVERTER.....89  
 HARNESS, BEACON, LED, MINI.....155  
 HARNESS, ESTOP, GR/GRC/GS PCON.....137  
 HARNESS, GS POWER CONTROL.....89  
 HARNESS, GS SENSORS, ANSI.....89  
 HARNESS, GS SENSORS, CE.....89  
 HARNESS, ROTARY ANGLE.....89  
 HARNESS,FUNCTION MANIFOLD,GS.....89  
 HARNESS,LED CHARGER,GS30.....81, 89  
 HARNESS,PRESS,TRANSDUCER\*\*\*.....89,  
 167  
 HINGE, SPRING, LONG LEG.....133  
 HORN,24VDC,SPADE TERMINALS\*\*\*.....155  
 HOSE ASSY, MAN/ACCUM, MINI.....153  
 HOSE END,BARBED,RIGID,90DEG6-6.....157  
 HOSE, ASSY.....153  
 HOSE, ASSY, BRAKE.....153  
 HOSE, ASSY, LOWER LIFT.....153  
 HOSE, ASSY, LOWER VENT.....153  
 HOSE, ASSY, MAN TO FILTER.....153  
 HOSE, ASSY, MOTOR CROSSOVER.....153  
 HOSE, ASSY, PRESSURE.....153  
 HOSE, ASSY, STEER.....153  
 HOSE, ASSY, UPPER LIFT.....153  
 HOSE, ASSY, UPPER VENT.....153  
 HOSE,ASSY,DRIVE MOTORS,MINI.....153  
 HOSE,ASSY,DRIVE MOTORS,MINI, L.....153  
 HOSE,LOW PRESSURE,.375 ID,BLK.....157  
 HOUSING, LOCK PIN.....101-102, 105-106,  
 109-110, 113-114, 117-118, 121-122, 125-  
 126, 129-130  
 HRNS ASSY,RESISTOR DIODE.....89  
 HRNS,CONTACTOR SIGNL,GS30/32.....91  
 HYD. TANK KIT, GS30,32,46.....83, 85  
 HYDR TRAY ASSY W/WORDS.....83, 85  
 HYDR TRAY ASSY,GS30 W/SYMBOLS.....83,  
 85

**I**

INNER ARM ASSY#1,15&19FT,SYMB.....97,  
 99  
 INNER ARM ASSY#1,15&19FT,WORD.....97,  
 99  
 INNER ARM ASSY, #3, 19FT.....99  
 INNER ARM ASSY,#2,15/19 FT,WRD.....97, 99  
 INNER ARM ASSY,#3,15FT.....97  
 INNER ARM ASSY,#4 19FT.....99  
 INSTRN, TRC RETROFIT, STNDRD.....89  
 INVERTER,24VDC,110/230 VAC\*\*\*.....161

**J**

JOYSTICK, HALL EFFECT, SINGLE.....139

**K**

KEY SINGLE\*\*\*.....87  
 KEY,RECTANGULAR,.31X.28X1.25\*\*.....71, 73  
 KEY,SINGLE\*\*\*.....87  
 KEYS,10 PACK\*\*\*.....87  
 KEYSWITCH,3 POS W/KEYS,LOCKING.....87  
 KEYSWITCH,3 POS. W/KEYS\*\*\*.....87  
 KIT, MINI LIFT CYL SEAL.....151  
 KIT, TRC RETROFIT, STNDRD.....89  
 KIT,BATTERY CHARGER,24V.....81  
 KIT,BEACON,GS32/46.....155  
 KIT,BOOT,JOYSTICK,SL1000.....139  
 KIT,COIL CORD,CONTRLR,SL1000.....137  
 KIT,CONN,PLUG W/SCKT AND LOCK.....89,  
 137  
 KIT,CONN,RECEPT W/PIN AND LOCK.....89,  
 137  
 KIT,DC BLOCK ASSEMBLY.....81  
 KIT,GASKET,UK POWER TO PLAT.....135  
 KIT,GATE LATCH.....133  
 KIT,MANIFOLD,200 PSI CV,MINI.....145  
 KIT,MINI FULL HT,ANSI GATE.....133  
 KIT,PCON GUARD,SLAB/GR.....165  
 KIT,SLAB HYD TANK TUBE  
 REPLACEMENT.....85  
 KIT,STEER CYL SEAL.....141  
 KIT,STEER CYL SEAL,040271P,HDM.....141  
 KIT,STEER CYL SEAL,040499P,HDM.....141  
 KIT,STEER CYL SEAL,040505P,HDM.....141  
 KIT,SWITCH,JYSTK,SL1000.....139  
 KNOB,HAND PUMP (RED)\*\*.....147  
 KNOB,PILOT OP VALVE (BLACK)\*\*.....147

**L**

LABEL,GCON STD,SERIAL.....87  
 LADDER ASSY,GS30,SYM.....73  
 LADDER ASSY,GS30,WORD,ENG.....73  
 LANYARD ROLLER BRKT ASSY  
 W/DEC.....101-102, 105-106, 109-110, 113-  
 114, 117-118, 121-122, 125-126, 129-130  
 LANYARD,BLACK NYLON,TYPE 1\*\*\*.....102,  
 106, 110, 114, 118, 122, 126, 130  
 LATCH HANDLE.....133  
 LATCH, LRG PADDLE HANDLE GS90.....79,  
 83, 85  
 LENS,FLASHING BEACON.....155  
 LEVER ARM,ANGLE SENSR  
 ACTUATOR.....167  
 LIGHT,TURN SIGNAL,1.25" LED,AMB.....155  
 LINK BUMPER.....97, 99  
 LINK,(SPLIT) OPEN-END.....133  
 LOCK, CONNECTOR.....81

LOCKNUT,ELEC,1/2".....135

**M**

MAIN RAIL, FOLDING, GS30.....101-102, 105-  
 106, 109-110, 113-114, 117-118, 121-122,  
 125-126, 129-130  
 MANIFOLD,200 PSI CHECK VALVE.....145  
 MANIFOLD,BRAKE RELEASE.....147  
 MANIFOLD,FUNCTION\*\*\*.....143  
 MANUAL BOX W/DECALS\*\*\*.....102, 106, 109-  
 110, 113-114, 118, 122, 126, 129-130  
 MANUAL,AEM SAFETY.....11  
 MANUAL,OWNERS,CHARGER,105739.....81  
 MANUAL,RESPON,A92.6 SCISSOR.....11  
 MOTOR CONTROLLER, DC,24V,300A.....83,  
 85  
 MOTOR,ELECTRIC,24VDC 4.5HP.....149  
 MOTOR,HYDRAULIC,530,14.0CU.IN\*.....141

**N**

NICKEL PLATED JAM NUT.....87  
 NIPPLE,DIAGNOSTIC,#4.....143  
 NUT.....87  
 NUT - PLASTIC,RING FOR ALARMS...75, 155  
 NUT, LP NYLOCK, 3/8-16.....109-110, 113-  
 114, 117-118, 121-122, 125-126, 129-130,  
 133  
 NUT,CASTLE,1.125-18 UNEF.....71, 73  
 NUT,COIL (39909).....151  
 NUT,CORDGRIP,1/2 NPT.....167  
 NUT,HH JAM,1/4-20,A,ZAG.....79  
 NUT,LP NYLOCK,1/4-20.....155  
 NUT,LP NYLOCK,5/16-18.....101-102, 105-  
 106, 109-110, 113-114, 117-118, 121-122,  
 125-126, 129-130  
 NUT,NYLOCK,1/4-20.....83, 85, 93, 133, 135  
 NUT,NYLOCK,3/8-16.....133, 163  
 NUT,NYLOCK,5/16-18.....159  
 NUT,NYLOCK,8-32.....135  
 NUT,RETAINER (96008).....87  
 NUT,SERRATED,1/4-20,8,ZAG.....75, 79  
 NUT,SERRATED,5/16-18,8,ZAG.....79  
 NUT,TL FLG,1/2-13,G,ZAG.....71, 73, 95  
 NUT,TL FLG,1/4-20,G,ZAG.....71, 75, 79, 83,  
 85, 87, 93, 97, 99, 155  
 NUT,TL FLG,10-32,F,ZAG.....75, 155  
 NUT,TL FLG,3/8-16,G,ZAG.....71, 73, 75, 77,  
 93, 95, 99, 102, 106, 110, 114, 118, 122, 126,  
 130, 155, 161, 167  
 NUT,TL JAM,3/8-16,A,ZAG.....77, 101-102,  
 105-106  
 NUT,TL,3/8-16,C,ZAG.....77, 97  
 NUT,TL,8-32,A,ZAG.....167  
 NUT,WING 5/16-18.....159  
 NUT-COIL SHORT.....143

**O**

O-RING KIT (ORFS FITTINGS).....143  
 OFFSET, RDN, 1/4-1.25,10-32.....167  
 ORIFICE,LONG, .037\*\*\*.....151  
 OUTER ARM ASSY#1,15&19FT WORD.....97,  
 99  
 OUTER ARM ASSY,#1,15&19FT SYMB.....97,  
 99  
 OUTLET,110V GFCl\*\*\*.....135

**P**

PAINT, AEROSOL, TRAFFIC BLACK.....11  
 PAINT,AEROSOL,BRIGHT BLUE\*\*\*.....11  
 PAINT,AEROSOL,GENIE GRAY\*\*\*.....11  
 PAINT,WET,GENIE BLUE (1 GL)\*\*.....11  
 PAINT,WET,GENIE GRAY (1 GL)\*\*.....11  
 PAINT,WET,TRAFFIC BLACK (1 GL)\*\*.....11  
 PCBA,GCON STD,PROP LIFT.....87  
 PCBA,PCON STD,PROP LIFT.....137  
 PCON,STD,PROP LIFT,GR/GS.....137  
 PIN, CHASSIS PIVOT.....97, 99  
 PIN, CYLINDER, SHORT.....97, 99  
 PIN, LOCK.....101-102, 105-106, 109-110,  
 113-114, 117-118, 121-122, 125-126, 129-  
 130  
 PIN, MINI, CENTER.....97, 99  
 PIN,1.50DIAX9.13LG,1HOLE.....97, 99  
 PIN,CLEVIS,.375X1.75,ZAG.....77  
 PIN,CLEVIS,.625X1.79,ZAG.....77  
 PIN,CLEVIS,.625X1.88,ZAG.....77  
 PIN,CLEVIS,3/4X2,ZAG.....71  
 PIN,CLEVIS,3/4X3.25,ZAG.....71  
 PIN,COTTER,.125 X .75.....77  
 PIN,COTTER,.156 X 2.5.....11, 71, 73  
 PIN,MINI END\*\*\*.....97, 99  
 PIN,WIRE LOCK 3/8 X 2.5,ZAG.....102, 106,  
 110, 114, 118, 122, 126, 130  
 PLAT CONTROL BRKT ASSY,GS MINI.....137  
 PLAT ENTRY ASSY,RIGID GS30.....133  
 PLAT EXT DECK ASSY,GS30...101-102, 105-  
 106, 109-110, 113-114, 117-118, 121-122,  
 125-126, 129-130  
 PLAT MAIN DECK ASSY,1530 ANSI.....101-  
 102, 105-106  
 PLAT MAIN DECK ASSY,1530 AU....101-102,  
 105-106  
 PLAT MAIN DECK ASSY,1530 CE....101-102,  
 105-106  
 PLAT MAIN DECK ASSY,1530 SMBL.....101-  
 102, 105-106  
 PLAT MAIN DECK ASSY,1532 AU....109-110,  
 113-114  
 PLAT MAIN DECK ASSY,1532 CE....109-110,  
 113-114  
 PLAT MAIN DECK ASSY,1930 ANSI.....117-  
 118, 121-122  
 PLAT MAIN DECK ASSY,1930 AU....117-118,  
 121-122  
 PLAT MAIN DECK ASSY,1930 CE....117-118,  
 121-122  
 PLAT MAIN DECK ASSY,1930 SMBL.....117-  
 118, 121-122  
 PLAT MAIN DECK ASSY,1932 AU....125-126,  
 129-130  
 PLAT MAIN DECK ASSY,1932 CE....125-126,  
 129-130  
 PLATE, AC ADAPTER(AUS).....135  
 PLATE, COUNTERWEIGHT LOCK.....73  
 PLATE, INVERTER MOUNT.....161  
 PLATE, LIMIT SWITCH MOUNT.....75  
 PLATE,AC ADAPTER(ANSI/CSA).....135  
 PLATE,AC ADAPTER,DIN/UK\*\*\*.....135  
 PLATE,BEACON MOUNT.....155  
 PLATE,BRAKE SPACER.....73  
 PLATE,HARNESS MOUNT.....83, 85  
 PLATE,HOSE ROUTG,BULKHEAD(PTD)...71,  
 75  
 PLATE,POTHOLE LINK,GS30.....77  
 PLATE,VISUAL IND LIGHT MOUNT.....155

PLATFORM MOUNT ASSY, 15 FT.....95  
 PLATFORM MOUNT ASSY, 19 FT.....95  
 PLUG AND CAP KIT-SERVICE,ORFS\*.....143  
 PLUG, 6POS ECO PWR.....137  
 PLUG, TYPE F, 230A, 50HZ, 16A, IP44.....135  
 PLUG,090109A-6.....153  
 PLUG,1/4"SERIES,3/8 P-LOCK\*\*\*.....157  
 PLUG,DTM SEAL 20-24GA.....89  
 PLUG,ELECTRICAL,DOMESTIC.....135  
 PLUG,FLG INLET,15A/125V,2PWGD.....135  
 PLUG,FUSED,250V,13AMP,U.K.\*\*.....135  
 PLUG,PWR,UK,16AMP,3PIN,BLK.....135  
 POT HOLE GUARD,LT,WLDMT.....77  
 POT HOLE GUARD,RT,WLDMT.....77  
 POTHOLE BELL CRNK LINK ASSYGS30.....77  
 POWER CORD, IEC 320 BLANK, 79".....135  
 POWER CORD, IEC 320, 115".....81  
 POWER CORD, IEC 320, 90 DEG.....81  
 PRTY,FLOW CNTRL VALVE,.75 GPM.....143  
 PUMP,4CC GEAR,CCW\*\*\*.....149

**Q**

QUICK DISCONNECT CASING,BATT\*\*.....79,  
 91

**R**

RECEPTACLE, DIN, 220V 50A.....135  
 REF. BATTERY CHARGER.....89  
 REF. BATTERY COMPARTMENT.....89  
 REF. BEACONS.....89  
 REF. DC MOTOR.....89  
 REF. ELECTRIC MOTOR/PUMP.....83, 85  
 REF. ELECTRICAL WIRING AND POWER  
 CABLES.....89  
 REF. FILTER ASSY.....83, 85  
 REF. FUNCTION MANIFOLD.....89  
 REF. FUSE.....89  
 REF. GROUND CONTROLS.....89  
 REF. Joystick Controller.....89  
 REF. LEVEL SENSOR.....89  
 REF. LIFT CYLINDER VALVE.....89  
 REF. LIFT CYLINDER.....97  
 REF. MOTOR CONTROLLER.....89  
 RESISTOR,200 OHM 10W,CERAMIC.....89  
 RIGID EYE SNAP.....133  
 RIVET,ALUM,STL,.188 X .250...101-102, 105-  
 106, 109-110, 113-114, 117-118, 121-122,  
 125-126, 129-130  
 RIVET,STEEL,P,.25 X .375.....165  
 RIVET,STL,STL,.188 X .45.....101-102, 105-  
 106, 109-110, 113-114, 117-118, 121-122,  
 125-126, 129-130, 167  
 ROCKER,2 SWITCH.....139  
 ROD END .25 X 2.75, ZAG.....97, 99  
 ROLLER ARM,LIMIT SWITCH\*\*\*.....75, 77  
 ROLLER BRACKET ASSY, GRND  
 CNTR.....101-102, 105-106, 109-110, 113-  
 114, 117-118, 121-122, 125-126, 129-130  
 ROLLER,PLATFORM EXTENSION...101-102,  
 105-106, 109-110, 113-114, 117-118, 121-  
 122, 125-126, 129-130  
 RUE RING,3/4,ZAG.....71, 77  
 RUE RING,5/8,ZAG.....77

**S**

SAFETY CHOCK,SCISSOR.....97, 99  
 SCREW, SELF TAP.....139  
 SCREW,BHC,3/8-16X1.75,F835,ZAG.....73

SCREW,BHSCS,M5X10,SS.....137  
 SCREW,GRUB,M5X8MM CUP(BLK).....139  
 SCREW,GRUB,M5X8MM,HLF DOG,BZP...139  
 SCREW,HEX UNSLOTTED,14-10X.5,T.....79  
 SCREW,HHC,1/2-13X3.5,8,ZAG.....71, 73  
 SCREW,HHC,1/2-13X5.8,ZAG.....73  
 SCREW,HHC,1/4-20 X 1.75.....75  
 SCREW,HHC,1/4-20 X 2.....133  
 SCREW,HHC,1/4-20X3.25,8,ZAG.....71  
 SCREW,HHC,3/8-16 X 1.....163  
 SCREW,HHC,3/8-16 X 2.....101-102, 105-106,  
 109-110, 113-114, 117-118, 121-122, 125-  
 126, 129-130, 133  
 SCREW,HHC,3/8-16 X 2.5.....133  
 SCREW,HHC,3/8-16 X 2.75.....110, 118, 126  
 SCREW,HHC,3/8-16X.75,8,ZAG.....71  
 SCREW,HHC,3/8-16X1.25,8,ZAG.....167  
 SCREW,HHC,3/8-16X2.75,8,ZAG.....97, 99  
 SCREW,HHC,5/16-18 X 2.....159  
 SCREW,HHF,1/4-20X.5,8,ZAG.....151  
 SCREW,HHF,1/4-20X.75,8,ZAG.....83, 85, 102,  
 106, 109-110, 113-114, 118, 122, 125-126,  
 129-130, 161, 167  
 SCREW,HHF,1/4-20X1.25,8,ZAG.....79, 83, 85,  
 97, 99  
 SCREW,HHF,1/4-20X1.5,8,ZAG.....93  
 SCREW,HHF,3/8-16X1.8,ZAG.....155  
 SCREW,HHF,3/8-16X2.75,8,ZAG.....102, 106,  
 110, 114, 118, 122, 126, 130  
 SCREW,PHIL,8-32X.50,SELF TAP.....135  
 SCREW,PHILLIPS,PHM,6-32 X .75.....135  
 SCREW,PHILLIPS,PHM,8-32 X .5.....135  
 SCREW,PHILLIPS,PHM,8-32 X.25\*\*.....87  
 SCREW,PHILLIPS,RHM,10-32 X 1.5.....87  
 SCREW,PHM,4-20X.5, 48-2 TRI-L.....87, 137  
 SCREW,PHM,6-19X.75, 48-2 TRI-L.....87  
 SCREW,PHM,8-16X.75, 48-2 TRI-L.....137  
 SCREW,PHPM,10-32X.38,ZAG.....79  
 SCREW,PHPM,10-32X.50,ZAG.....167  
 SCREW,PHPM,10-32X.75,ZAG.....155  
 SCREW,PHPM,10-32X1.5,ZAG.....75  
 SCREW,PHPM-ST,8-32X.50,TYPE  
 F,ZAG.....167  
 SCREW,RHM,6-32 X .5.....135  
 SCREW,SET,8-32X.25.....167  
 SCREW,SHC,3/8-24X1.25,A574,ZAG.....149  
 SEAL KIT (84384).....143  
 SEAL KIT, VALVE.....143  
 SEAL KIT,39909,PLAT LWR VALVE\*.....151  
 SEAL KIT,BOSCH PUMP.....149  
 SEAL KIT,BOSCH PUMP\*\*\*.....149  
 SEAL KIT,HAND PUMP\*\*\*.....147  
 SEAL KIT,LIFT PUMP,BARNES\*\*.....149  
 SEAL KIT,RC SERIES DR MOTOR\*\*\*.....141  
 SEAL KIT-FOR P.N.44167.....143  
 SEAL KIT-P.N.44169,44172,44171.....143  
 SENSOR, LEVEL, UNIVERSAL.....75  
 SERVICE KIT,INVERTER 800W\*\*\*.....161  
 SHIM,.375 X .063.....102, 106, 110, 114, 118,  
 122, 126, 130  
 SLEEVE,TANK SUPPORT.....83, 85, 155  
 SLIDER, UHMW.....95  
 SLIDER,MINI PLATFORM,DRILLED\*\*\*.....95  
 SNAP RING,EXTERNAL,1.25,ZAG.....97, 99  
 SPACER,.35ID X .785OD X .435.....159  
 SPRING CLIP,1/4-20,.025-.15X.54,ZAG.....75,  
 167  
 SPRING, HANDLE TRIGGER.....139  
 SPRING,COMPRESSION .835 X 2.....133

## Part Description Index (continued)

SPRING, COMPRESSION, 485 X 1.75** .....75, 101-102, 105-106, 109-110, 113-114, 117- 118, 121-122, 125-126, 129-130	WASHER, LOCK, .375 .....101-102, 105-106, 109-110, 113-114, 117-118, 121-122, 125- 126, 129-130	WLDMNT, PLATFORM, MINI, GS30 .....101- 102, 105-106, 109-110, 113-114, 117-118, 121-122, 125-126, 129-130
SPRING, HAND PUMP ROD .....147	WASHER, LOCK, 3/8, ZAG .....149	WLDMT, EXT DECK LWR RAIL .....101-102, 109-110, 117-118, 125-126
SPRING-BRUSH, 40844, SCISSORS .....149	WASHER, NITRILE .....87	WLDMT, FORMING, HALFGATE CATCH .....133
STROBE, BEACON, AC COMP 12-80V .....155	WASHER, SHIM, 1.27X2.13X.13, ZAG .....97, 99	WLDMT, LANYARD ROLLER BRKT .....101- 102, 105-106, 109-110, 113-114, 117-118, 121-122, 125-126, 129-130
SVC KIT, UK RECEPT. REPLACEMENT .....135	WASHER, SHIM, .625X1.188X.064, ZA .....77	WLDMT, MAIN SIDERAIL, UPP, RT ** .....101- 102, 105-106, 109-110, 113-114, 117-118, 121-122, 125-126, 129-130
SWING GATE ASSY, 1530/1930 AUS .....133	WASHER, SHIM, .75X1.125X.030, ZAG .....77	WLDMT, MAIN SIDERAIL, UPPER, LFT .....101- 102, 105-106, 109-110, 113-114, 117-118, 121-122, 125-126, 129-130
SWING GATE ASSY, 1532/1932 AUS .....133	WASHER, SHOULDER, NYLON .....101-102, 105-106, 109-110, 113-114, 117-118, 121- 122, 125-126, 129-130	WLDMT, CABLE BRIDGE, BOTTOM, MINI .....97, 99
SWING GATE ASSY, GS1530 CE .....133	WASHER, STAR, EXTERNAL, #8 .....135	WLDMT, CABLE BRIDGE, LOWER, MINI .....97, 99
SWING GATE ASSY, GS1930 CE .....133	WASHER, STAR, EXTERNAL, .375 .....87	WLDMT, FIXED RAIL, FRONT .....89
SWING GATE ASSY, GS1932 CE .....133	WASHER, THRUST, GS .....71	WLDMT, LOCKING ROLLER SUPPORT ...101- 102, 105-106, 109-110, 113-114, 117-118, 121-122, 125-126, 129-130
SWING GATE ASSY, GS30/32** .....133	WASHER, THRUST, .63 X 1.13 X .06 .....77	WLDMT, PLATFORM SLIDER .....95
SWITCH, LIMIT, W/ROLLER ARM** .....75, 77	WEAR PAD, PLATFORM .....101-102, 105-106, 109-110, 113-114, 117-118, 121-122, 125- 126, 129-130	WLDMT/ASSY, PH GUIDE, GS30/32 .....77
	WEAR/GUIDE PAD MAIN PLATFORM .....101- 102, 105-106, 109-110, 113-114, 117-118, 121-122, 125-126, 129-130	WLDT, EXT SIDERAIL, PAR .....163
	WEATHERSTRIP, SWING GATE .....133	WLDT, MAIN SIDERAIL, PAR, LH .....163
	WEALDMENT, 1532 COUNTERWT, CE .....73	WLDT, MAIN SIDERAIL, PAR, RH .....163
	WEALDMENT, DECAL PLATE .....101-102, 105- 106, 109-110, 113-114, 117-118, 121-122, 125-126, 129-130	WLDTMT, LINK, #1 INNER, 15&19 FT .....97, 99
	WEALDMENT, EXT PLATFORM .....101-102, 105-106, 109-110, 113-114, 117-118, 121- 122, 125-126, 129-130	WORKLIGHT BRACKET .....159
	WEALDMENT, EXTENSION DECK RAIL, LOWER .....105-106, 113-114, 121-122, 129- 130	WORKLIGHT CABLE, GS15XX .....159
	WEALDMENT, FORMING, HALF GATE, CATCH SIDE .....133	WORKLIGHT CABLE, GS19/20XX .....159
	WEALDMENT, HALF GATE .....133	WORKLIGHT, 24V, COIL CORD .....159
	WEALDMENT, LINK, SINGLE .....97, 99	
	WEALDMENT, PAR, FRONT .....163	
	WEALDMENT, PAR, SIDE .....163	
	WEALDMENT, PCON GUARD .....165	
	WEALDMENT, PLATFORM, MAIN .....125-126	
	WEALDMENT, STR YOKE, 30 MINI LT .....71	
	WEALDMENT, STR YOKE, 30 MINI RT .....71	
	WEALDMENT, STR YOKE, 32 MINI LT .....71	
	WEALDMENT, STR YOKE, 32 MINI RT .....71	
	WEALDMENT, TIE ROD, GS30 .....71	
	WEALDMENT, CABLE BRIDGE, TOP, MINI .....97, 99	
	WEALDMENT, EXT RAIL, UPPER** .....101-102, 109-110, 117-118, 125-126	
	WEALDMENT, EXT SIDERAIL** .....102, 106, 109-110, 113-114, 118, 122, 125-126, 129- 130	
	WEALDMENT, GS HYD TRAY .....83, 85	
	WEALDMENT, LINK PLATFORM MNT** .....97, 99	
	WEALDMENT, MINI LADDER .....73	
	WEALDMENT, ROLLER BRACKET, LT** .....101- 102, 105-106, 109-110, 113-114, 117-118, 121-122, 125-126, 129-130	
	WEALDMENT, ROLLER BRACKET, RT** .....101- 102, 105-106, 109-110, 113-114, 117-118, 121-122, 125-126, 129-130	
	WHEEL & TIRE ASSY, LP, 12** .....71	
	WIRE CABLE 18/5 - UNSHIELDED .....89	
	WIRE CABLE, 14/3 CON. TPE JKT* .....135	
	WIRE CAP, ORANGE .....135	
	WIRE LOOM, 1.25 DIA .....91	

## T

T-BOX, 2.75 x 4.5 x 2.0 .....135  
TANK, HYD, SLAB SCISSORS .....83, 85  
TAPE, NON-SKID, DIE CUT, 1.38X1.5 .....101-  
102, 105-106, 109-110, 113-114, 117-118,  
121-122, 125-126, 129-130  
TAPE, NON-SKID, DIE CUT, 4"X 16" .....101-102,  
105-106, 109-110, 113-114, 117-118, 121-  
122, 125-126, 129-130  
TAPE, NON-SKID, DIE CUT, 4"X 32" .....101-102,  
105-106, 109-110, 113-114, 117-118, 121-  
122, 125-126, 129-130  
TAPE, NON-SKID, DIE CUT, 4"X 40" .....101-102,  
105-106, 109-110, 113-114, 117-118, 121-  
122, 125-126, 129-130  
TEE, RUN 070432-6\*\*\*\*\* .....153  
THREADED ROD, (1/4-20), .25.50 .....79  
TIE ROD ASSEMBLY .....71  
TRIGGER, EXTENDED .....139  
TUBE, ASSY, DRAW .....83, 153  
TUBE, ASSY, RETURN .....83, 153  
TUBE, SLAB DRAW ASSEMBLY .....85  
TUBE, SLAB RETURN ASSEMBLY .....85  
TUBE, VERT, FOLDING .....101-102, 105-106,  
109-110, 113-114, 117-118, 121-122, 125-  
126, 129-130  
TUBING, PVC, 1", BLACK\*\* .....133

## V

VALVE, DYN. BRAKING, GS30\*\* .....143  
VALVE, CARTRIDGE\*\* .....151  
VALVE, CHECK, IWP-S/CWP PWR ASSI .....143  
VALVE, HAND PUMP ASSEMBLY\*\* .....147  
VALVE, PILOT OPERATED ASSEMBLY\* .....147  
VALVE, SOLENOID, 3POS 4WAY .....143  
VALVE, W/20V NC SOLENOID, MANUAL .....151  
VALVE-RELIEF, 3700 PSI #8\*\* .....143  
VALVE-SOLENOID, 2POS 4 WAY .....143  
VISUAL INDICATOR LIGHTS .....155

## W

WASHER, FLAT, .75, SAE, HRD, ZAG .....79  
WASHER, FLAT, 1/4, USS, ZAG .....83, 85  
WASHER, FLAT, 3/8, USS, ZAG .....71, 77, 101-  
102, 105-106  
WASHER, FLAT, 5/16, USS, ZAG .....77, 79  
WASHER, FLAT, USS, 1/4"Y .....133  
WASHER, FLAT, USS, 3/8", Y .....109-110, 113-  
114, 117-118, 121-122, 125-126, 129-130  
WASHER, FLAT, USS, 5/16", Y .....133  
WASHER, LOCK, .313 .....159

***This Page Intentionally Left Blank***

## Fitting Cross References

Genie PN	Parker PN	Description	Genie PN	Parker PN	Description
12342	6-4 F5OX-S	CONNECTOR,STRAIGHT THREAD TO FLARE TUBE	42794	1 CR-S	ELBOW,90°,MALE PIPE
13757	4 R6X-S	RUN TEE,SWIVEL NUT,ORFS	42795	BV-0839	BALL VALVE
19685	12-10 C5OX-S	ELBOW,90°,STRAIGHT THREAD TO FLARE TUBE	42796	BV-0838	BALL VALVE
22664	12-10 C5OX	ELBOW,90°,STRAIGHT THREAD TO FLARE TUBE	42874	6-8 CLO-S	ELBOW,90°,MALE PIPE TO ORFS
27431	8-12 F5OX-S	CONNECTOR,STRAIGHT THREAD TO FLARE TUBE	42912	13943-6-4	HOSE END,90° FEMALE SWIVEL,JIC
28678	AS-B-33	SLEEVE,NYLON,1.81" ID	42920	BV-0840	BALL VALVE,90°
39871	6 WETX-WLN-S	UNION,90° BULKHEAD W/NUT,FLARE TUBE	42932	AS-B-17	SLEEVE,NYLON,1.22" ID
39872	4 R5OX-S	RUN TEE,STRAIGHT THREAD	42936	10243-2-4	HOSE END,FEMALE PIPE
39873	6 C5OX-S	ELBOW,90°,STRAIGHT THREAD TO FLARE TUBE	42953	1/2 DD-S	ELBOW,90°,FEMALE PIPE
39874	8-6 C5OX-S	ELBOW,90°,STRAIGHT THREAD TO FLARE TUBE	42956	6 WELO-WLNL-S	UNION,90° BULKHEAD W/NUT,ORFS
39875	4-6 C5OX-S	ELBOW,90°,STRAIGHT THREAD TO FLARE TUBE	45349	8 V5OX-S	ELBOW,45°,STRAIGHT THREAD TO FLARE TUBE
39876	6-8 C5OX-S	ELBOW,90°,STRAIGHT THREAD TO FLARE TUBE	45351	4 V5OX-S	ELBOW,45°,STRAIGHT THREAD TO FLARE TUBE
39877	4 F5OX-S	CONNECTOR,STRAIGHT THREAD TO FLARE TUBE	47223	10343-6-6	HOSE END,MALE,JIC
39878	6 F5OX-S	CONNECTOR,STRAIGHT THREAD TO FLARE TUBE	47419	PS690503-6-6	SWIVEL,90°,STRAIGHT THREAD TO 37° FLARE
39879	4-8 F5OX-S	CONNECTOR,STRAIGHT THREAD TO FLARE TUBE	48750	421-4	HOSE,1/4 INCH ID
39880	6-10 F5OX-S	CONNECTOR,STRAIGHT THREAD TO FLARE TUBE	48751	481TC-4	HOSE,1/4 INCH ID
39881	4-6 F5OX-S	CONNECTOR,STRAIGHT THREAD TO FLARE TUBE	48752	482TC-4	HOSE,1/4 INCH ID
39882	4-HP5ON-S	PLUG,STRAIGHT THREAD	48753	451TC-6	HOSE,3/8 INCH ID
39883	8-8 FTX-S	CONNECTOR,MALE PIPE TO FLARE TUBE	48754	482TC-6	HOSE,3/8 INCH ID
39885	269HB 12-12	ELBOW,90°,BEADED HOSE BARB TO MALE PIPE	48755	381-6	HOSE,3/8 INCH ID
39886	431-6	HOSE,3/8 INCH ID	48756	451TC-8	HOSE,1/2 INCH ID
39887	540N-2	HOSE,1/8 INCH ID	48757	482TC-8	HOSE,1/2 INCH ID
39888	801-8	HOSE,1/2 INCH ID	48758	381-8	HOSE,1/2 INCH ID
39889	801-12	HOSE,3/4 INCH ID	48759	381-10	HOSE,5/8 INCH ID
39890	10643-6-6	HOSE END,FEMALE SWIVEL,JIC	48760	451TC-10	HOSE,5/8 INCH ID
39891	13943-6-6	HOSE END,90° FEMALE SWIVEL,JIC	48761	482TC-12	HOSE,3/4 INCH ID
39892	13743-6-6	HOSE END,45° FEMALE SWIVEL,JIC	48762	451TC-12	HOSE,3/4 INCH ID
39894	30682-8-8	HOSE END,FEMALE SWIVEL,JIC	48763	772-12	HOSE,3/4 INCH ID
39895	30682-10-12	HOSE END,FEMALE SWIVEL,JIC	48764	881-16	HOSE,1 INCH ID
42286	8-8 CTX-S	ELBOW,90°,MALE PIPE TO FLARE TUBE	48765	772-16	HOSE,1 INCH ID
42756	8-12 CLO-S	ELBOW,90,MALE PIPE TO ORFS	48766	AS-B-15	SLEEVE,NYLON,1.06" ID
42757	8-12 FLO-S	CONNECTOR,MALE PIPE TO ORFS	48767	AS-B-22	SLEEVE,NYLON,1.42" ID
42758	4 JLO-S	UNION TEE,ORFS	48770	881-8	HOSE,1/2 INCH ID
42759	4-4 FLO-S	CONNECTOR,MALE PIPE TO ORFS			
42760	6-8 FLO-S	CONNECTOR,MALE PIPE TO ORFS			
42761	1J143-6-4	HOSE END,90° FEMALE SWIVEL,SEAL LOK			
42762	1J743-6-4	HOSE END,45° FEMALE SWIVEL,SEAL LOK			
42768	1JO43-4-4	HOSE END,MALE,SEAL LOK			
42776	601-8	HOSE,1/2 INCH ID			
42777	1J743-16-16	HOSE END,45° FEMALE SWIVEL,SEAL LOK			
42786	16 CLO-S	ELBOW,90°,MALE PIPE TO ORFS			
42787	16 R6LO-S	RUN TEE,SWIVEL NUT,ORFS			
42788	16-8 TRLO-BL-S	REDUCER,TUBE END TO SWIVEL,ORFS			
42789	6-6 CLO-S	ELBOW,90°,MALE PIPE TO ORFS			
42790	8-10 V5OLO-S	ELBOW,45°,STRAIGHT THREAD TO ORFS			
42791	3/4 CD-S	ELBOW,90°,MALE TO FEMALE PIPE			
42792	3/4 X 1/2 PTR-S	REDUCER,MALE TO FEMALE PIPE			
42793	1/2 CR-S	ELBOW,90°,MALE PIPE			

Fitting Cross References (Continued)

Genie PN	Parker PN	Description
48771	881-10	HOSE,5/8 INCH ID
48772	381-4	HOSE,1/4 INCH ID
48773	AS-B-13	SLEEVE,NYLON,.86" ID
48800	1JC43-4-4	HOSE END,FEMALE SWIVEL,SEAL LOK
48801	1J743-4-4	HOSE END,45° FEMALE SWIVEL,SEAL LOK
48802	1J943-4-4	HOSE END,90° FEMALE SWIVEL,SEAL LOK
48804	1JM43-4-4	HOSE END,MALE,SEAL LOK, NO O-RING
48805	10643-4-4	HOSE END,FEMALE SWIVEL,JIC
48806	13943-4-4	HOSE END,90° FEMALE SWIVEL,JIC
48807	1JS43-4-4	HOSE END,FEMALE SWIVEL,SEAL LOK
48808	3JC82-8-8	HOSE END,FEMALE SWIVEL,SEAL LOK
48809	3JC82-12-12	HOSE END,FEMALE SWIVEL,SEAL LOK
48810	1JC43-6-4	HOSE END,FEMALE SWIVEL,SEAL LOK
48811	1J943-6-4	HOSE END,90° FEMALE SWIVEL,SEAL LOK
48812	1JC43-6-6	HOSE END,FEMALE SWIVEL,SEAL LOK
48813	1J143-6-6	HOSE END,90° FEMALE SWIVEL,SEAL LOK
48814	1J543-6-6	HOSE END,90° FEMALE SWIVEL,SEAL LOK
48815	1J743-6-6	HOSE END,45° FEMALE SWIVEL,SEAL LOK
48816	1J943-6-6	HOSE END,90° FEMALE SWIVEL,SEAL LOK
48817	1JS43-6-8	HOSE END,FEMALE SWIVEL,SEAL LOK
48818	1J943-8-4	HOSE END,90° FEMALE SWIVEL,SEAL LOK
48819	1JC43-8-6	HOSE END,FEMALE SWIVEL,SEAL LOK
48820	1J743-8-6	HOSE END,45° FEMALE SWIVEL,SEAL LOK
48821	1J943-8-6	HOSE END,90° FEMALE SWIVEL,SEAL LOK
48822	1JC43-8-8	HOSE END,FEMALE SWIVEL,SEAL LOK
48823	1JS43-8-8	HOSE END,FEMALE SWIVEL,SEAL LOK
48824	1J143-8-8	HOSE END,90° FEMALE SWIVEL,SEAL LOK
48825	1J543-8-8	HOSE END,90° FEMALE SWIVEL,SEAL LOK
48826	1J743-8-8	HOSE END,45° FEMALE SWIVEL,SEAL LOK
48827	1J943-8-8	HOSE END,90° FEMALE SWIVEL,SEAL LOK
48828	1JC43-10-8	HOSE END,FEMALE SWIVEL,SEAL LOK
48829	1JS43-10-8	HOSE END,FEMALE SWIVEL,SEAL LOK
48830	1J743-10-8	HOSE END,45° FEMALE SWIVEL,SEAL LOK
48831	1J943-10-8	HOSE END,90° FEMALE SWIVEL,SEAL LOK
48833	1JC43-10-10	HOSE END,FEMALE SWIVEL,SEAL LOK
48834	1J943-10-10	HOSE END,90° FEMALE SWIVEL,SEAL LOK
48835	1JS43-10-12	HOSE END,FEMALE SWIVEL,SEAL LOK
48836	1JC43-12-8	HOSE END,FEMALE SWIVEL,SEAL LOK
48837	1JS43-12-8	HOSE END,FEMALE SWIVEL,SEAL LOK
48838	1J743-12-8	HOSE END,45° FEMALE SWIVEL,SEAL LOK
48839	1J943-12-8	HOSE END,90° FEMALE SWIVEL,SEAL LOK
48840	1J943-12-10	HOSE END,90° FEMALE SWIVEL,SEAL LOK
48841	1JC43-12-12	HOSE END,FEMALE SWIVEL,SEAL LOK
48842	1JO43-12-12	HOSE END,MALE,SEAL LOK
48843	1J143-12-12	HOSE END,90° FEMALE SWIVEL,SEAL LOK
48844	1J543-12-12	HOSE END,90° FEMALE SWIVEL,SEAL LOK
48845	1J743-12-12	HOSE END,45° FEMALE SWIVEL,SEAL LOK
48846	1J943-12-12	HOSE END,90° FEMALE SWIVEL,SEAL LOK

Genie PN	Parker PN	Description
48847	13943-12-12	HOSE END,90° FEMALE SWIVEL,JIC
48848	10543-12-12	HOSE END,MALE,STRAIGHT THREAD
48849	1JC71-12-12	HOSE END,FEMALE SWIVEL,SEAL LOK
48850	1JS71-12-12	HOSE END,FEMALE SWIVEL,SEAL LOK
48851	1J171-12-12	HOSE END,90° FEMALE SWIVEL,SEAL LOK
48852	1J771-12-12	HOSE END,45° FEMALE SWIVEL,SEAL LOK
48853	1J971-12-12	HOSE END,90° FEMALE SWIVEL,SEAL LOK
48854	1JC43-16-16	HOSE END,FEMALE SWIVEL,SEAL LOK
48855	1J943-16-16	HOSE END,90° FEMALE SWIVEL,SEAL LOK
48856	1J171-16-16	HOSE END,90° FEMALE SWIVEL,SEAL LOK
48857	1J971-16-16	HOSE END,90° FEMALE SWIVEL,SEAL LOK
48859	1JS43-8-4	HOSE END,FEMALE SWIVEL,SEAL LOK
48867	PD36BTL	DIAGNOSTIC NIPPLE,SEAL-LOK SWIVEL
48873	6 PNLO-S	PLUG,TUBE END,ORFS
48874	6 PNTX-S	PLUG,FLARE TUBE
48875	6 R6LO-S	RUN TEE,SWIVEL NUT,ORFS
48877	4 F5OLO-SW/.025	CONNECTOR,STRAIGHT THREAD TO ORFS, W/.025 ORI
48878	16-12 C5OLO-S	ELBOW,90°,STRAIGHT THREAD TO ORFS
48879	8 C6LO-S	ELBOW,90°,SWIVEL NUT ORFS
48880	PD6-285	CAP,DIAGNOSTIC NIPPLE
48881	6 HLO-S	UNION,ORFS
48883	8 P5ON-S	PLUG,STRAIGHT THREAD
48884	8M18F87OMLO-S	CONNECTOR,METRIC,STRAIGHT THREAD TO ORFS
48885	4 WGTX-WLN-S	CONNECTOR,BULKHEAD,FEMALE PIPE TO FLARE TUBE
48886	4 F5OLO-SW/2MM	CONNECTOR,MACHINED STRAIGHT THREAD TO ORFS
48887	4 CTX-S	ELBOW,90°,MALE PIPE TO FLARE TUBE
48888	10-12 V5OLO-S	ELBOW,45°,STRAIGHT THREAD TO ORFS
48890	4 S5OLO-S	BRANCH TEE,STRAIGHT THREAD TO ORFS
48891	4 S6LO-S	BRANCH TEE,SWIVEL NUT TO ORFS

## Fitting Cross References (Continued)

Genie PN	Parker PN	Description	Genie PN	Parker PN	Description
48892	6 C6LO-S	ELBOW,90°,SWIVEL NUT ORFS	48938	8 R6LO-S	RUN TEE,SWIVEL NUT,ORFS
48893	6 F5OHAO-S	UNION,STRAIGHT THREAD	48939	8 S6LO-S	BRANCH TEE,SWIVEL NUT TO ORFS
48894	8 WLO-WLNL-S	UNION,BULKHEAD,ORFS	48940	8 WJLO-WLNL-S	RUN TEE, BULKHEAD,ORFS
48895	DT-370-MSMO-5	VALVE,CHECK	48941	8-4 TRLO-S	REDUCER,TUBE END TO SWIVEL,ORFS
48896	6 JLO-S	UNION,TEE,ORFS	48942	8-6 C5OLO-S	ELBOW,90°,STRAIGHT THREAD TO ORFS
48897	DT-750-MSMS-5	VALVE,CHECK	48943	8-6 F5OLO-S	CONNECTOR,STRAIGHT THREAD TO ORFS
48898	DT-750-MOMS-5	VALVE,CHECK	48944	8-8 FLO-S	CONNECTOR,MALE PIPE TO ORFS
48899	DT-620-MOMS-5	VALVE,CHECK	48945	8 FTX-S	CONNECTOR,MALE PIPE TO FLARE TUBE
48900	4-6 F5OLO-SW/.035	CONNECTOR,STRAIGHT THREAD TO ORFS, W/.035 ORI	48946	8-10 F5OLO-S	CONNECTOR,STRAIGHT THREAD TO ORFS
48902	16-1 AOE4G-S	ELBOW,90° LONG,FEMALE PIPE TO STRAIGHT THREAD	48947	8-12 C5OLO-S	ELBOW,90°,STRAIGHT THREAD TO ORFS
48903	1 FF-S	NIPPLE,PIPE	48948	8-12 F5OLO-S	CONNECTOR,STRAIGHT THREAD TO ORFS
48904	4 C5OLO-S	ELBOW,90°,STRAIGHT THREAD TO ORFS	48949	8-16 F5OLO-S	CONNECTOR,STRAIGHT THREAD TO ORFS
48905	4 F5OLO-S	CONNECTOR,STRAIGHT THREAD TO ORFS	48950	10 C5OLO-S	ELBOW,90°,STRAIGHT THREAD TO ORFS
48906	4 R5OLO-S	RUN TEE,STRAIGHT THREAD	48951	10 CC5OLO-S	ELBOW,90° LONG,STRAIGHT THREAD TO ORFS
48907	4 V5OLO-S	ELBOW,45°,STRAIGHT THREAD TO ORFS	48952	10 F5OLO-S	CONNECTOR,STRAIGHT THREAD TO ORFS
48908	4 R6LO-S	RUN TEE,SWIVEL NUT,ORFS	48953	10 R5OLO-S	RUN TEE,STRAIGHT THREAD
48909	4 WJLO-WLNL-S	RUN TEE, BULKHEAD,ORFS	48954	10 S5OLO-S	BRANCH TEE,STRAIGHT THREAD TO ORFS
48910	4 GTX-S W/.030	CONNECTOR,FEMALE PIPE TO FLARE TUBE	48955	10 R6LO-S	RUN TEE,SWIVEL NUT,ORFS
48911	4-6 C5OLO-S	ELBOW,90°,STRAIGHT THREAD TO ORFS	48956	10-4 TRLO-BL-S	REDUCER,TUBE END TO SWIVEL,ORFS
48912	4-6 F5OLO-S	CONNECTOR,STRAIGHT THREAD TO ORFS	48957	10-6 TRLO-BL-S	REDUCER,TUBE END TO SWIVEL,ORFS
48913	4-6 F5OLO-SW/.030	CONNECTOR,STRAIGHT THREAD TO ORFS, W/.030 ORI	48958	10-12 F5OLO-S	CONNECTOR,STRAIGHT THREAD TO ORFS
48914	4-8 F5OLO-S	CONNECTOR,STRAIGHT THREAD TO ORFS	48959	12 C5OLO-S	ELBOW,90°,STRAIGHT THREAD TO ORFS
48915	6 C5OLO-S	ELBOW,90°,STRAIGHT THREAD TO ORFS	48960	12 F5OLO-S	CONNECTOR,STRAIGHT THREAD TO ORFS
48916	6 F5OLO-S	CONNECTOR,STRAIGHT THREAD TO ORFS	48961	12 R5OLO-S	RUN TEE,STRAIGHT THREAD
48917	6 FF5OLO-S	CONNECTOR,LONG,STRAIGHT THREAD TO ORFS	48962	12 S5OLO-S	BRANCH TEE,STRAIGHT THREAD TO ORFS
48918	6 R5OLO-S	RUN TEE,STRAIGHT THREAD	48963	12 V5OLO-S	ELBOW,45°,STRAIGHT THREAD TO ORFS
48919	6 S5OLO-S	BRANCH TEE,STRAIGHT THREAD TO ORFS	48964	12 R6LO-S	RUN TEE,SWIVEL NUT,ORFS
48920	6 V5OLO-S	ELBOW,45°,STRAIGHT THREAD TO ORFS	48965	12 CLO-S	ELBOW,90°,MALE PIPE TO ORFS
48921	6 FLO-S	CONNECTOR,MALE PIPE TO ORFS	48966	12 FLO-S	CONNECTOR,MALE PIPE TO ORFS
48922	6-6 FLO-S	CONNECTOR,MALE PIPE TO ORFS	48967	12 JLO-S	UNION TEE,ORFS
48923	6 P5ON-S	PLUG,STRAIGHT THREAD	48968	12 WLO-WLNL-S	UNION,BULKHEAD,ORFS
48925	6 WELO-S	UNION,90° BULKHEAD,ORFS	48969	12 WJLO-WLNL-S	RUN TEE, BULKHEAD,ORFS
48926	6-4 C5OLO-S	ELBOW,90°,STRAIGHT THREAD TO ORFS	48970	12 WELO-WLNL-S	UNION,90° BULKHEAD W/NUT,ORFS
48927	6-4 F5OLO-S	CONNECTOR,STRAIGHT THREAD TO ORFS			
48928	6-4 V5OLO-S	ELBOW,45°,STRAIGHT THREAD TO ORFS			
48929	6-8 C5OLO-S	ELBOW,90°,STRAIGHT THREAD TO ORFS			
48930	6-8 F5OLO-S	CONNECTOR,STRAIGHT THREAD TO ORFS			
48931	6-10 F5OLO-S	CONNECTOR,STRAIGHT THREAD TO ORFS			
48932	8 C5OLO-S	ELBOW,90°,STRAIGHT THREAD TO ORFS			
48933	8 F5OLO-S	CONNECTOR,STRAIGHT THREAD TO ORFS			
48934	8 FF5OLO-S	CONNECTOR,LONG,STRAIGHT THREAD TO ORFS			
48935	8 R5OLO-S	RUN TEE,STRAIGHT THREAD			
48936	8 S5OLO-S	BRANCH TEE,STRAIGHT THREAD TO ORFS			
48937	8 V5OLO-S	ELBOW,45°,STRAIGHT THREAD TO ORFS			

Fitting Cross References (Continued)

Genie PN	Parker PN	Description	Genie PN	Parker PN	Description
48971	12 G5G5JG5-S	TEE,FEMALE STRAIGHT THREAD	49612	PKT02586	O-RING KIT (ORFS FITTINGS)
48972	12 XHL6-S	ADAPTER, 37° MALE TO SWIVEL ORFS	49613	PKT06276	PLUG AND CAP KIT-SERVICE,ORFS
48973	12-1/2 F5OG-S	ADAPTER,FEMALE PIPE TO STRAIGHT THREAD	49728	10143-12-12	HOSE END, MALE PIPE
48974	12-10 C5OLO-S	ELBOW,90°,STRAIGHT THREAD TO ORFS	49729	16-1 F5OG-S	ADAPTER,FEMALE PIPE TO STRAIGHT THREAD
48975	12-10 F5OLO-S	CONNECTOR,STRAIGHT THREAD TO ORFS	49814	12-8 FLO-S	CONNECTOR,MALE PIPE TO ORFS
48976	12-16 C5OLO-S	ELBOW,90°,STRAIGHT THREAD TO ORFS	49829	DT-500-MOMF-5	VALVE,CHECK
48977	12-16 F5OLO-S	CONNECTOR,STRAIGHT THREAD TO ORFS	49831	881-12	HOSE,3/4 INCH ID
48978	12-16 V5OLO-S	ELBOW,45°,STRAIGHT THREAD TO ORFS	49834	16 JLO-S	UNION TEE,ORFS
48980	12-16 FLO-S	CONNECTOR,MALE PIPE TO ORFS	49838	12-8 TRLO-BL-S	REDUCER,TUBE END TO SWIVEL,ORFS
48983	16 C5OLO-S	ELBOW,90°,STRAIGHT THREAD TO ORFS	49840	8 JLO-S	UNION TEE,ORFS
48984	16 F5OLO-S	CONNECTOR,STRAIGHT THREAD TO ORFS	49844	10-8 TRLO-BL-S	REDUCER,TUBE END TO SWIVEL,ORFS
48985	16 V5OLO-S	ELBOW,45°,STRAIGHT THREAD TO ORFS	49854	8 P5ON-S	PLUG,STRAIGHT THREAD
48986	16 FLO-S	CONNECTOR,MALE PIPE TO ORFS	49855	1JC43-16-12	HOSE END,FEMALE SWIVEL,SEAL LOK
48988	16 CD45-S	ELBOW,45°,MALE TO FEMALE PIPE	49859	4 P5ON-S	PLUG,STRAIGHT THREAD
48989	12 CD45-S	ELBOW,45°,MALE TO FEMALE PIPE	49861	4 FF5OLO-S	CONNECTOR,LONG,STRAIGHT THREAD TO ORFS
48990	8 CD45-S	ELBOW,45°,MALE TO FEMALE PIPE	49867	12-3/4 F5OG-S	ADAPTER,FEMALE PIPE TO STRAIGHT THREAD
48991	16-12 FLO-S	CONNECTOR,MALE PIPE TO ORFS	51152	6 R6X-S	RUN TEE,SWIVEL NUT,ORFS
48992	16-12 V5OLO-S	ELBOW,45°,STRAIGHT THREAD TO ORFS	51153	6-4 TRTX-S	REDUCER,TUBE END TO SWIVEL,ORFS
48993	XV501-12	BALL VALVE	51154	4-4 GTX	CONNECTOR,FEMALE PIPE TO FLARE TUBE
48994	XV501-16	BALL VALVE	51264	881-12	HOSE,3/4 INCH ID
48995	XV510P-12	BALL VALVE	51265	8 JLO-S	UNION TEE,ORFS
48996	XV510P-16	BALL VALVE	51508	6 BTX-S	NUT,FLARE TUBE
48997	PD341	DIAGNOSTIC NIPPLE, STRAIGHT THREAD	51580	12-8 TRLO-BL-S	TUBE END REDUCER,ORFS
48998	PD 361	DIAGNOSTIC NIPPLE, STRAIGHT THREAD	51628	6 R6X-S	RUN TEE,SWIVEL NUT,ORFS
48999	DT-500-MOMS-5	VALVE,CHECK	51735	3/8 HHP	PLUG,PIPE THREAD
49201	10 V5OLO-S	ELBOW,45°,STRAIGHT THREAD TO ORFS	51803	1J943-6-8	HOSE END,90° FEMALE SWIVEL,SEAL LOK
49202	1JC43-12-10	HOSE END,FEMALE SWIVEL,SEAL LOK	53023	125HBL-5-4	FITTING,HOSE BARB TO MALE PIPE
49203	10-8 V5OLO-S	ELBOW,45°,STRAIGHT THREAD TO ORFS	53497	PKT02585	O-RING KIT
49205	6 F5OHAO-S	UNION,STRAIGHT THREAD	53499	1JC71-16-16	HOSE END,FEMALE SWIVEL,SEAL LOK
49207	PD34BTL	DIAGNOSTIC NIPPLE,SEAL-LOK SWIVEL	53500	3-904	O-RING,STRAIGHT THREAD,-4
49209	8M18F870MX-S	CONNECTOR,METRIC,STRAIGHT THREAD TO FLARE TUBE	53501	3-906	O-RING,STRAIGHT THREAD,-6
49212	8 WGTX-WLN-S	CONNECTOR,BULKHEAD,FEMALE PIPE TO FLARE TUBE	53502	3-908	O-RING,STRAIGHT THREAD,-8
49213	30682-8-8	HOSE END,FEMALE SWIVEL,JIC	53503	3-910	O-RING,STRAIGHT THREAD,-10
49216	831-8	HOSE,1/2 INCH ID			
49217	33982-8-8	HOSE END,90° FEMALE SWIVEL,JIC			
49219	PS-B-35	SLEEVE,NYLON,2.19" ID			
49418	4-6 V5OLO-S	ELBOW,45°,STRAIGHT THREAD TO ORFS			
49511	DT370-MOMS-5	VALVE,CHECK			
49512	1 DD-S	ELBOW,90°,FEMALE PIPE			
49513	1 FF-S	NIPPLE,PIPE			
49514	10 HP5ON-S	PLUG,STRAIGHT THREAD			
49515	12-16 CLO-S	ELBOW,90°,MALE PIPE TO ORFS			
49517	6 HP5ON-S	PLUG,STRAIGHT THREAD			
49519	16-12 F5OLO-S	CONNECTOR,STRAIGHT THREAD TO ORFS			
49520	4 VTX-S	ELBOW,45°,MALE PIPE TO FLARE TUBE			
49530	16 C6LO-S	ELBOW,90°,SWIVEL NUT ORFS			

## Fitting Cross References (Continued)

Genie PN	Parker PN	Description	Genie PN	Parker PN	Description
53535	3-912	O-RING,STRAIGHT THREAD,-12	61083	24 F5OLO-S	CONNECTOR,STRAIGHT THREAD TO ORFS
53536	4-PNLO-S	PLUG,TUBE END,ORFS	61086	20 R5OLO-S	RUN TEE,STRAIGHT THREAD
53537	6 PNLO-S	PLUG,TUBE END,ORFS	61090	24-20 F5OLO-S	CONNECTOR,STRAIGHT THREAD TO ORFS
53538	8 PNLO-S	PLUG,TUBE END,ORFS	61091	1J943 24-24	HOSE END,90° FEMALE SWIVEL,SEAL LOK
53539	10 PNLO-S	PLUG,TUBE END,ORFS	61093	1J978-12-12	HOSE END,90° FEMALE SWIVEL,JIC
53540	12 PNLO-S	PLUG,TUBE END,ORFS	61095	1JS43-20-16	HOSE END,FEMALE SWIVEL,SEAL LOK
53946	129HB-5-4	FITTING,90° HOSE BARB TO MALE PIPE	61100	811-24	HOSE,11/2 INCH ID
53951	8-1/4F50G-S	ADAPTER,FEMALE PIPE TO STRAIGHT THREAD	61130	1JS43-24-24	HOSE END,FEMALE SWIVEL,SEAL LOK
53980	6 S6LO-S	BRANCH TEE,SWIVEL NUT TO ORFS	61131	1JS78 12-12	HOSE END,FEMALE SWIVEL,SEAL LOK
54132	4 C6LO-S	ELBOW,90°,SWIVEL NUT ORFS	61132	1J778-12-12	HOSE END,45° FEMALE SWIVEL,JIC
54135	11343-16-16	HOSE END,MALE SWIVEL,PIPE	61152	139HB-6-4	ELBOW,45°,BARB TO MALE PIPE
54283	8-10 C5OLO-S	ELBOW,90°,STRAIGHT THREAD TO ORFS	61251	BV-0750	BALL VALVE
54428	8M18C870MLO-S	ELBOW, 90° METRIC, STRAIGHT THREAD TO ORFS	61259	4 CC5OLO-S	ELBOW,90° LONG,STRAIGHT THREAD TO ORFS
54803	FS-F-16-10	SLEEVE,FIRE,-96" ID	61260	20-12 TRLO-BL	REDUCER,TUBE END TO SWIVEL,ORFS
54954	10143-2-4	HOSE END, MALE PIPE	61262	12 C6LO-S	ELBOW,90°,SWIVEL NUT ORFS
55190	3/8 HP-S	PLUG,PIPE THREAD	61263	20 F5OHAO-S	UNION,STRAIGHT THREAD
55448	8 HLO-S	UNION,ORFS	61264	6-10 C5OLO-S	ELBOW,90°,STRAIGHT THREAD TO ORFS
55839	6 F65OX-S	CONNECTOR,STRAIGHT THREAD TO 37° SWIVEL	61265	6 WNLO-WLNL-S	UNION,BULKHEAD 45°,ORFS
55968	10 C5OX-S	ELBOW,90°,STRAIGHT THREAD TO FLARE TUBE	61268	4 WNLO-WLNL-S	UNION,BULKHEAD 45°,ORFS
56003	6 CC5OLO-S	ELBOW,90° LONG,STRAIGHT THREAD TO ORFS	61269	4 WLO-WLNL-S	UNION,BULKHEAD,ORFS
56166	BV-0837	BALL VALVE,90°	61272	12 AOEL6	ELBOW,90°,STRAIGHT THREAD TO ORFS SWIVEL
56188	10143-8-6	HOSE END, MALE PIPE	61316	482TC-16	HOSE,1 INCH ID
56233	2-011	O-RING,ORFS,-4	61321	6 JLO-S	UNION TEE,ORFS
56234	2-012	O-RING,ORFS,-6	61327	782-12	HOSE,3/4 INCH ID
56235	2-014	O-RING,ORFS,-8	61328	881-24	HOSE,11/2 INCH ID
56236	2-016	O-RING,ORFS,-10	61336	11943-20-24	HOSE END,90° FLANGE HEAD
56237	2-018	O-RING,ORFS,-12	61345	12 WJLO-WLNL-S	RUN TEE, BULKHEAD,ORFS
56238	2-021	O-RING,ORFS,-16	61346	8 WNLO-WLNL-S 4	UNION,BULKHEAD 45°,ORFS
56352	6 WLNL-S	LOCKNUT,BULKHEAD	61569	33782-8-8	HOSE END,45° FEMALE SWIVEL,JIC
56353	3J782-12-12	HOSE END,45° FEMALE SWIVEL,SEAL LOK	61610	12 FF5OLO-S	CONNECTOR,LONG,STRAIGHT THREAD TO ORFS
56354	3J982-12-12	HOSE END,90° FEMALE SWIVEL,SEAL LOK	61742	1/8 X 1.5 FFF	NIPPLE,PIPE
56604	10-8 F5OLO-S	CONNECTOR,STRAIGHT THREAD TO ORFS	63426	8 PNTX-S	PLUG,FLARE TUBE
56639	3JC82-10-10	HOSE END,FEMALE SWIVEL,SEAL LOK			
56640	3J982-10-10	HOSE END,90° FEMALE SWIVEL,SEAL LOK			
56655	3JC82-8-10	HOSE END,FEMALE SWIVEL,SEAL LOK			
56676	10-8 C5OLO-S	ELBOW,90°,STRAIGHT THREAD TO ORFS			
56776	471TC-6	HOSE,3/8 INCH ID			
56777	471TC-8	HOSE,1/2 INCH ID			
56789	811-16	HOSE,1 INCH ID			
57884	3/8 FF	NIPPLE,PIPE			
59335	6 FNL-S	CAP, TUBE END			
59342	4 FNL-S	CAP, TUBE END			
59371	8 HP5ON-S	PLUG,STRAIGHT THREAD			
60653	BV-0751	BALL VALVE			
60806	125HB-3-4	FITTING,HOSE BARB TO MALE PIPE			
61064	5-1/4 F50G-S	ADAPTER,FEMALE PIPE TO STRAIGHT THREAD			
61079	4 WELO-WLNL-S	UNION,90° BULKHEAD W/NUT,ORFS			
61080	6 WLO-WLNL-S	UNION,BULKHEAD,ORFS			

## Fitting Cross References (Continued)

Genie PN	Parker PN	Description	Genie PN	Parker PN	Description
64271	4 WLO-WLNL-S	UNION,BULKHEAD,ORFS	75631	801-6	HOSE,3/8 INCH ID
64272	6 WLO-WLNL-S	UNION,BULKHEAD,ORFS	75654	20 F5OLO-S	CONNECTOR,STRAIGHT THREAD TO ORFS
65776	8 F65OL-S	CONNECTOR,STRAIGHT THREAD TO ORFS SWIVEL	75655	1J943-20-20	HOSE END,90° FEMALE SWIVEL,SEAL LOK
65880	6001012	O-RING KIT	75656	881-20	HOSE,1-1/4 INCH ID
66154	6 WTX-WLNS	UNION,BULKHEAD,FLARE TUBE	75971	8 F5OHAO-S	UNION,STRAIGHT THREAD
66155	6 WETX-S	UNION,BULKHEAD 90°,FLARE TUBE	77307	1JB43-8-8	HOSE END,BULKHEAD,SEAL LOK
66156	6 WLN-S	BULKHEAD LOCKNUT	77309	8 WLNL-S	BULKHEAD LOCKNUT
66389	6-8 F5OX-S	CONNECTOR,STRAIGHT THREAD TO FLARE TUBE	77379	8M18C87OMX-S	ELBOW,90° METRIC,STRAIGHT THREAD TO FLARE TUBE
66392	6 R5OX-S	RUN TEE,STRAIGHT THREAD	77703	3J982-8-8	HOSE END,90° FEMALE SWIVEL,SEAL LOK
66396	811-12	HOSE,3/4 INCH ID	77711	801-10	HOSE,5/8 INCH ID
66829	H3174PP	CLAMP,TUBE	77758	12 WNLO-WLNL-S	UNION,BULKHEAD 45°,ORFS
67217	4 KLO-S	UNION,CROSS,ORFS	78091	6 C6X-S	ELBOW,90°,SWIVEL NUT TO FLARE TUBE
67339	10-6 F5OX-S	CONNECTOR,STRAIGHT THREAD TO FLARE TUBE	78684	30582-8-8B	HOSE END,PUSH LOK,MALE
67357	13943-8-6	HOSE END,90° FEMALE SWIVEL,JIC	78852	549-2	HOSE,1/8 INCH ID
67358	10 HP5ON-S	PLUG,STRAIGHT THREAD	78855	10657-4-2	HOSE END,FEMALE SWIVEL,JIC
67371	12 S6LO-S	BRANCH TEE,SWIVEL NUT TO ORFS	79138	PS-B-37	SLEEVE,NYLON,2.38" ID
67498	4 FNL-S	CAP, TUBE END	79476	1JS43-6-8	HOSE END,FEMALE SWIVEL,SEAL LOK
67906	DC-370-F0F0-5	VALVE,CHECK	79847	12-3/4 A0EG-S	ELBOW,90°,STRAIGHT THREAD TO FEMALE PIPE
69316	8 FLO-S	CONNECTOR,MALE PIPE TO ORFS	80044	8 CLO-S	ELBOW,90°,MALE PIPE TO ORFS
69333	H3174PP	CLAMP,HYDRAULIC HOSE	80502	8 F5OX-S	CONNECTOR,STRAIGHT THREAD TO FLARE TUBE
69503	4 F65OX-S	CONNECTOR,STRAIGHT THREAD TO 37° SWIVEL	80503	8 C5OX-S	ELBOW,90°,STRAIGHT THREAD TO FLARE TUBE
69775	8 FNL-S	CAP, TUBE END	81010	AS-B-27	SLEEVE,NYLON,1.63" ID
71038	1/4X1/4F3HG-S	ADAPTER,CONVERSION	83052	821-6	HOSE,3/8 INCH ID
71196	12-8 F5OLO-S	CONNECTOR,STRAIGHT THREAD TO ORFS	83053	821-8	HOSE,1/2 INCH ID
71383	1/4 CD45-S	ELBOW,45°,MALE TO FEMALE PIPE	83054	821-12	HOSE,3/4 INCH ID
72270	12FNL-S	CAP, TUBE END	83055	30682-6-6	HOSE END,FEMALE SWIVEL,JIC
73436	60C-4	SLEEVE,COMPRESSION	83056	30682-12-12	HOSE END,FEMALE SWIVEL,JIC
73437	61C-4	NUT,COMPRESSION	83057	33782-6-6	HOSE END,45° FEMALE SWIVEL,JIC
73438	33482-4-4B	HOSE END,PUSH LOK,MALE	83058	33982-6-6	HOSE END,90° FEMALE SWIVEL,JIC
73767	1CD-S	ELBOW,90°,MALE TO FEMALE PIPE	83060	33982-12-12	HOSE END,90° FEMALE SWIVEL,JIC
73768	20-16-F5OG5-S	ADAPTER,FEMALE PIPE TO STRAIGHT THREAD	83063	13743-4-4	HOSE END,45° FEMALE SWIVEL,JIC
73769	16-20 F5OLO-S	CONNECTOR,STRAIGHT THREAD TO ORFS			
74660	6-8 F42EDMLO-S	CONNECTOR,MALE BSPP TO ORFS			
74661	8-8 F42EDMLO-S	CONNECTOR,MALE BSPP TO ORFS			
75007	4 FLO-S	CONNECTOR,MALE PIPE TO ORFS			
75008	1/8 HP-S	PLUG,PIPE THREAD			
75014	1/2 HP-S	PLUG,PIPE THREAD			
75042	8 WELO-WLNL-S	UNION,90° BULKHEAD W/NUT,ORFS			
75043	3/4 FF-S	NIPPLE,PIPE			
75254	24 F5OHAO-S	UNION,STRAIGHT THREAD			
75255	12 F5OHAO-S	UNION,STRAIGHT THREAD			
75256	XV506P-24	BALL VALVE			
75574	4 WLNL-S	BULKHEAD LOCKNUT			
75612	8 WJLO-WLNL-S	RUN TEE, BULKHEAD,ORFS			
75613	12-8 F5OG5-S	ADAPTER,FEMALE PIPE TO STRAIGHT THREAD			
75614	8 CC5OLO-S	ELBOW,90° LONG,STRAIGHT THREAD TO ORFS			
75628	1JB43-4-4	HOSE END,BULKHEAD,SEAL LOK			

## Fitting Cross References (Continued)

Genie PN	Parker PN	Description	Genie PN	Parker PN	Description
83064	13743-8-8	HOSE END,45° FEMALE SWIVEL,JIC	89449	6 WJLO-WLNL-S	RUN TEE, BULKHEAD,ORFS
83065	13743-12-12	HOSE END,45° FEMALE SWIVEL,JIC	89489	4 WJMLO-S	BRANCH TEE,BULKHEAD,ORFS
83066	13943-8-8	HOSE END,90° FEMALE SWIVEL,JIC	89551	1JB43-6-6	HOSE END,BULKHEAD,SEAL LOK
83067	14143-6-6	HOSE END,90° FEMALE SWIVEL,JIC	89552	1JB43-8-8	HOSE END,BULKHEAD,SEAL LOK
83068	14143-8-8	HOSE END,90° FEMALE SWIVEL,JIC	89593	20 C5OLO-S	ELBOW,90°,STRAIGHT THREAD TO ORFS
83069	14143-12-12	HOSE END,90° FEMALE SWIVEL,JIC	94161	8-8 CLO-S	ELBOW,90°,MALE PIPE TO ORFS
83070	772-8	HOSE,1/2 INCH ID	94358	351TC-12	HOSE,3/4 INCH ID
83071	10671-8-8	HOSE END,FEMALE SWIVEL,JIC	94418	20 FLO-S	CONNECTOR,MALE PIPE TO ORFS
83072	10671-12-12	HOSE END,FEMALE SWIVEL,JIC	96358	12 TX-S	SLEEVE,FLARE TUBE
83073	13771-8-8	HOSE END,45° FEMALE SWIVEL,JIC	96359	12 BTX-S	NUT,FLARE TUBE
83074	13771-12-12	HOSE END,45° FEMALE SWIVEL,JIC	96397	8 F5OX-S	CONNECTOR,STRAIGHT THREAD TO FLARE TUBE
83075	13971-8-8	HOSE END,90° FEMALE SWIVEL,JIC	96398	12-8 F5OX-S	CONNECTOR,STRAIGHT THREAD TO FLARE TUBE
83076	13971-12-12	HOSE END,90° FEMALE SWIVEL,JIC	96402	10343-6-6	HOSE END,MALE,JIC
83077	14171-8-8	HOSE END,90° FEMALE SWIVEL,JIC	96407	30382-6-6B	HOSE END,MALE,JIC
83078	14171-12-12	HOSE END,90° FEMALE SWIVEL,JIC			
83080	13943-16-16	HOSE END,90° FEMALE SWIVEL,JIC			
83103	10671-16-12	HOSE END,FEMALE SWIVEL,JIC			
83104	10671-10-12	HOSE END,FEMALE SWIVEL,JIC			
83112	1JC71-8-8	HOSE END,FEMALE SWIVEL,SEAL LOK			
83113	1JS71-16-12	HOSE END,FEMALE SWIVEL,SEAL LOK			
83114	1JS71-10-12	HOSE END,FEMALE SWIVEL,SEAL LOK			
83115	1J971-8-8	HOSE END,90° FEMALE SWIVEL,SEAL LOK			
83116	1J171-8-8	HOSE END,90° FEMALE SWIVEL,SEAL LOK			
83117	1J771-8-8	HOSE END,45° FEMALE SWIVEL,SEAL LOK			
83127	1J543-6-8	HOSE END,90° FEMALE SWIVEL,JIC			
83128	1JC43-6-8	HOSE END,FEMALE SWIVEL,SEAL LOK			
87033	12-6 TRLO-S	REDUCER,TUBE END TO SWIVEL,ORFS			
87034	3J782-8-8	HOSE END,45° FEMALE SWIVEL,SEAL LOK			
87172	12 HP5ON-S	PLUG,STRAIGHT THREAD			
87185	8 WNLO-WLNL-S	UNION,BULKHEAD 45°,ORFS			
87246	4 C6X-S	ELBOW,90°,SWIVEL NUT TO FLARE TUBE			
87679	6 LHP-S	FLANGE SEAL FITTING, MALE			
87681	6PLS N0702	BONDED SEAL			
88100	SR88100	ADAPTER,OIL DRAIN,GM 3.0L			
88311	1JS43-20-20	HOSE END,FEMALE SWIVEL,SEAL LOK			
88353	20 V5OLO-S	ELBOW,45°,STRAIGHT THREAD TO ORFS			
88474	10081-20	Crimp Shell, 1.25"			
88475	1988-20-24	HOSE END,90° FLANGE HEAD			
88476	JS88-24-24	HOSE END,FEMALE SWIVEL,SEAL LOK			
88477	1JC88-20-20	HOSE END,FEMALE SWIVEL,SEAL LOK			
88478	811-20	HOSE,11/4 INCH ID			
88936	20-16 F5OLO-S	CONNECTOR,STRAIGHT THREAD TO ORFS			
88937	20-16 FLO-S	CONNECTOR,MALE PIPE TO ORFS			
88938	1JC88-16-16	HOSE END,FEMALE SWIVEL,SEAL LOK			
88939	1J988-16-16	HOSE END,90° FEMALE SWIVEL,ORFS			
88940	811-16	HOSE,1 INCH ID			
88944	1J988-20-20	HOSE END,90° FEMALE SWIVEL,ORFS			
89403	16 VLO-S	ELBOW,45°,MALE PIPE TO ORFS			

California Proposition 65



**WARNING**

Operating, servicing and maintaining this equipment can expose you to chemicals including engine exhaust, carbon monoxide, phthalates, and lead, which are known to the State of California to cause cancer and birth defects or other reproductive harm. These chemicals can be emitted from or contained in other various parts and systems, fluids and some component wear by-products. To minimize exposure, avoid breathing exhaust, do not idle the engine except as necessary, service your equipment and vehicle in a well-ventilated area and wear gloves or wash your hands frequently when servicing your equipment or vehicle and after operation. For more information go to [www.P65Warnings.ca.gov/passenger-vehicle](http://www.P65Warnings.ca.gov/passenger-vehicle).

# Parts Manual

GS-1530,GS-1532

GS-1930,GS-1932

*from SN GS3015A-141946 to GS3016A-151486  
from SN GS3016P-151487 to GS3016P-160599  
from SN GS30P-160600*

Part No.  
1275130GT

Rev A7

**Genie**  
A TEREX BRAND